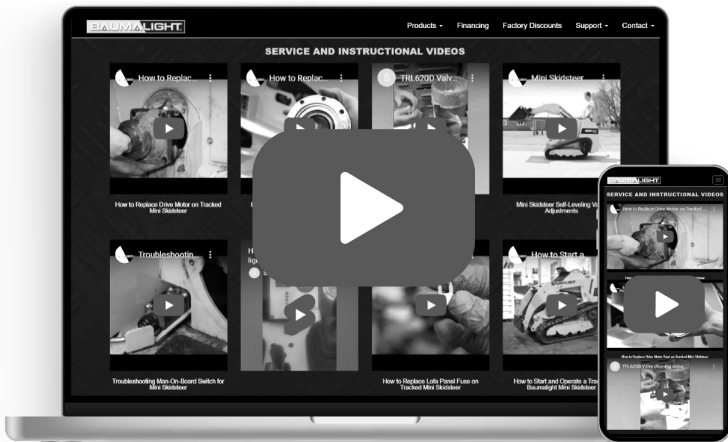


BAUMALIGHT™

CF772 Brush Cutter

OPERATOR'S MANUAL



Service And Instructional Videos

Find online at baumalight.com/support

Following is a list of videos and documents available on Baumalights website and also on YouTube to help and enhance maintaining the brush cutter. The list below was current at the time this manual was issued. Additional content may be available.

Activity ID Number	Activity Name	Description	Item Available
275	Skidsteer Case Drain Back-Pressure.	What May Cause Skidsteer Case Drain Back-Pressure.	Video
276	Skidsteer Case Drain Back-Pressure.	Testing Case Drain Back-Pressure With Pressure Gauge.	Video
277	Skidsteer Case Drain Back-Pressure.	Testing Case Drain Back-Pressure With Open Couple.	Video
253	Blade Maintenance.	When to replace blades.	Video
139	Replace Motor Shaft Seal.	Replace Shaft Seal On Piston Motor.	Video
103	Remove Seal.	Remove Seal On Motor Or Load Adapter.	Video
121	Zero-Leak Relief Valve.	Demonstrating And Troubleshooting Zero-Leak.	Video

TABLE OF CONTENTS

1 INTRODUCTION	4
1.1 Overview.....	4
1.2 Intended Use And Foreseeable Misuse	4
2 SAFETY	5
2.1 Safety Alert Symbol And Safety Words	5
2.2 Operational Hazards.....	5
Prepare For Emergencies	6
Replace Safety Signs	6
Do Not Allow Riders	6
Lower Operating Speed	6
Avoid Rollover	6
Avoid Powerlines & Underground Utilities	7
Detach Cutter Safely.....	7
Hazards From Modifying Equipment	8
2.3 Maintenance Hazards	9
3 SAFETY SIGNS	10
4 OPERATION	12
4.1 Preparation For Use	12
4.2 Removing Skids Or Blocks.....	12
4.3 Hydraulic Connections	12
4.4 Machine Components	13
4.5 Attaching/Detaching.....	13
4.6 First Time User Tips	14
4.7 Field Operation	15
5 SERVICE AND MAINTENANCE	16
5.1 Replace Blades	16
5.2 Replace Blade Carrier	17
5.3 Check Gearbox Oil	17
5.4 Inspections.....	18
5.5 Motor Shaft Seal	19
6 TROUBLESHOOTING	20
BAUMALIGHT ATTACHMENT WARRANTY	21

1 INTRODUCTION

1.1 Overview

Congratulations on your choice of a Baumalight Skid steer Brush Cutter to complement your brush cutting operation. This equipment has been designed and manufactured to meet the needs of a discriminating buyer for efficient brush cutting.

The Brush Cutter has four blades and can cut a path 72 inches wide. The unique blade design reduces the brush to mulch. Controlling the Brush Cutter is done completely from the cab of the skid steer providing the ability for precise control and operator comfort.

Safe, efficient and trouble free operation of your Brush Cutter requires that you and anyone else who will be operating or maintaining the Brush Cutter, read and understand the Safety, Operation, Maintenance and Troubleshooting information contained within the Operator's Manual.

This manual covers the Baumalight CF772 Skid Steer Brush Cutter. Use the Table of Contents as a guide to locate required information.

Keep this manual handy for frequent reference and to pass on to new operators or owners. Call your Baumalight dealer, distributor or the factory if you need assistance, information or additional copies of the manuals.

OPERATOR ORIENTATION - The directions left, right, front and rear, as mentioned throughout this manual, are as seen from the driver's seat and facing in the direction of travel.

1.2 Intended Use And Foreseeable Misuse

The brush cutter is designed to be used by experienced operators, trained in the safe operation of a skid steer and trained in the hazards related to using the brush cutter and the safe use of the cutter for the intended purpose. Operators will require personal protective equipment to reduce the risk from some hazards that cannot be completely eliminated or controlled by the design of the tool.

Care is required to ensure that the brush cutter tool will not come across metallic objects, stones or other materials.

Brush Cutter tools are not designed for use in hazardous atmospheres where there is a risk of fire or explosion due to flammable gases or vapors. Use in hazardous, explosive atmospheres is prohibited.

Serious injury or death of the operator or bystanders may be caused if the tool is misused. Misuse may also cause damage to the machine carrying the implement.

2 SAFETY

2.1 Safety Alert Symbol And Safety Words

You must read, understand and follow the instructions given by the operating unit manufacturers, as well as the instructions in this manual.

The safety information in this manual is denoted by the safety alert symbol:



This symbol means ATTENTION! BECOME ALERT! YOUR SAFETY IS INVOLVED!

The level of risk is indicated by the following signal words:

 DANGER
DANGER - Indicates a hazardous situation, which, if not avoided, WILL result in death or serious injury.

 WARNING
WARNING - Indicates a hazardous situation, which, if not avoided, could result in death or serious injury.

 CAUTION
CAUTION - Indicates a hazardous situation, which, if not avoided, could result in minor or moderate injury.


NOTICE
NOTICE - Indicates a situation that could result in damage to the equipment or other property.

2.2 Operational Hazards

 WARNING
Use brush cutter only for the designed applications.
Any other use may result in personal injury, damage to equipment and may void the warranty.

 WARNING
Prevent serious injury or death.
Verify cutter is attached to excavator before operation or transport.

 WARNING
Protect from flying debris.
Wear proper safety glasses, goggles, or a face shield to protect from flying debris.

 WARNING
Prevent serious injury or death.
It is recommended that the operating unit be equipped with a forestry guard to protect the operator.

Carefully read all safety messages in this manual and on equipment safety signs. Keep safety signs in good condition and replace missing or damaged safety signs.

New equipment components and repair parts must include the current safety decal.

Learn how to properly operate equipment. NEVER operate or work around this equipment without proper instruction, while fatigued or under the influence of alcohol, prescription or non-prescription medication or if feeling ill.

Keep your equipment in proper working condition.

Know the regulations and laws that apply to you and your industry. This manual is not to replace any regulations or laws. Additional information may be found at: www.asae.org or www.osha.gov.

If you do not understand any part of this manual, contact Baumalight at 866-820-7603.

Prepare For Emergencies

- Be prepared in case of emergencies.
- Keep a fire extinguisher and first aid kit close to the machine.
- Keep emergency phone numbers close to your phone.
- Know your address so emergency services can locate you if an emergency arises.

Replace Safety Signs

- Replace missing or damaged safety signs.
- Safety signs are identified in Section 3 of this manual.
- Replacement safety signs are available from your Baumalight dealer.

Do Not Allow Riders

- NEVER lift or carry anyone on cutter.
- NEVER use cutter as a work platform.
- NEVER allow passengers on cutter.

Lower Operating Speed

- Lower operating speed while loading, unloading or performing heavy operations.
- Keep load low and move at slow speeds on rough or uneven terrain.

Avoid Rollover

The equipment may rollover, resulting in death or serious injury. To help prevent rollover:

- Travel at a slow speed.
- Avoid sharp turns & sudden movement on slopes.
- Carry loads close to the ground.
- Avoid holes, ditches and other obstructions which may cause equipment to rollover.
- Balance load so weight is evenly distributed and load is stable.
- Use caution when operating on slopes and do not operate on excessively steep slopes.
- Do not exceed load capacity of equipment.

Avoid Powerlines & Underground Utilities



DANGER

Prevent electrocution.

Death or serious injury can result if equipment comes near or contacts power lines.

Electrocution can occur without direct contact.

Check clearance before raising equipment. DO NOT leave the operator's seat if any part of the equipment contacts electric lines or cables.

Detach Cutter Safely

Detach brush cutter on a firm and level surface. Brush cutter may fall over if detached on sloping or soft surface. Be sure people, livestock and pets are clear of machinery.

Raised Attachment



WARNING

Crushing hazard.

Raised, unsupported brush cutter can fall, resulting in death or serious injury.

Never enter the area under a raised brush cutter.

A raised brush cutter can lower unexpectedly, resulting in death or serious injury.

NEVER enter area under a raised brush cutter.

Lower brush cutter to ground, engage parking brake, shut off engine and remove key before servicing.

Avoid Loud Noise



WARNING

Prolonged exposure to loud noise can cause impairment or loss of hearing.

Wear a suitable hearing protective device such as earmuffs or earplugs to protect against objectionable or uncomfortable loud noises.

Hazards From Modifying Equipment

Do not make any alterations to your brush cutter. Altering the equipment may cause unsafe conditions and may void the manufacturer's warranty.

Avoid Wood Dust Inhalation



WARNING

Drilling, sawing, sanding or machining wood products can expose you to wood dust, a substance known to the State of California to cause cancer.

Avoid inhaling wood dust or use a dust mask or other safeguards for personal protection. For more information go to www.P65Warnings.ca.gov/wood.



WARNING

Wear an approved dust mask or respirator.

Follow local, state and federal regulations.

2.3 Maintenance Hazards

Before servicing, park machine on a firm and level surface, set parking brake, chock wheels, and place a “Do Not Operate” tag on control panel. Read and understand this manual. If you do not understand any part of the manual, contact Baumalight at 866-820-7603.

Always wear face and/or eye protection, safety shoes, and other protective equipment appropriate for the job.

Do not make unauthorized modifications. Contact Baumalight at 866-820-7603 before you weld, cut/drill holes, or make any other modifications.

Always use Baumalight replacement parts

WARNING

Moving parts can crush and cut.

Keep clear of moving components.

Follow lockout procedure before servicing.

WARNING

Crushing hazard.

Before performing inspections, service or maintenance:

- Park machine on firm, level surface.
- Engage parking brake.
- Turn engine off and remove key.
- Place “Do Not Operate” tag on control panel.

WARNING

Entanglement hazard.

Keep clear of moving components.

Wear proper protective equipment appropriate for the job.

WARNING

Burn hazard.

Hot and high pressure hydraulic oil.

Allow oil to cool before servicing.

WARNING

Drilling, sawing, sanding or machining wood products can expose you to wood dust, a substance known to the State of California to cause cancer.

Avoid inhaling wood dust or use a dust mask or other safeguards for personal protection. For more information go to www.P65Warnings.ca.gov/wood.

WARNING

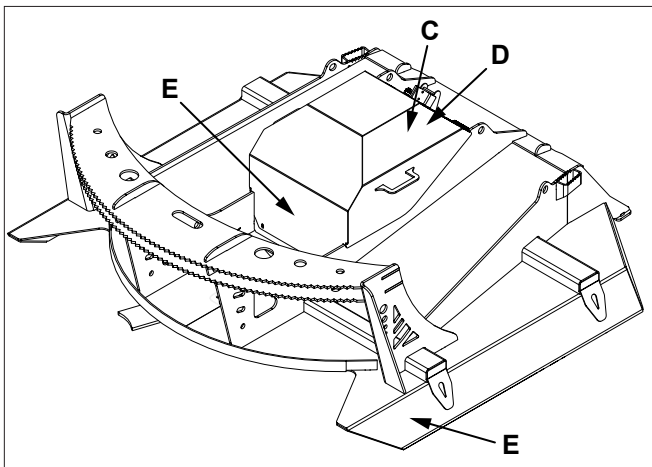
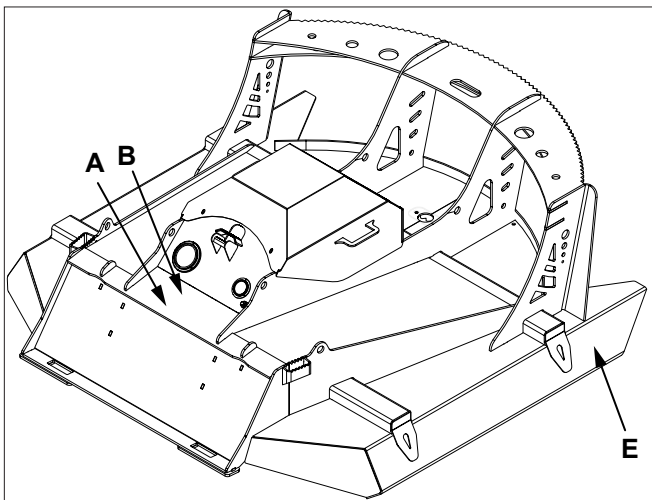
Wear an approved dust mask or respirator.


Follow local, state and federal regulations.

3 SAFETY SIGNS


The two and four panel safety decals are pictorial and have a yellow background. The panel with a triangle indicates the potential hazard. The panel without a triangle indicates how to avoid the hazard.


If any of the decals are missing, are damaged, or if you do not understand the decal, please contact your dealer.



- A. D005253  WARNING - Pressurized fluid hazard. Pressurized fluids can penetrate the skin. Do not check for leaks with your hands. Keep back a safe distance when pressurized.

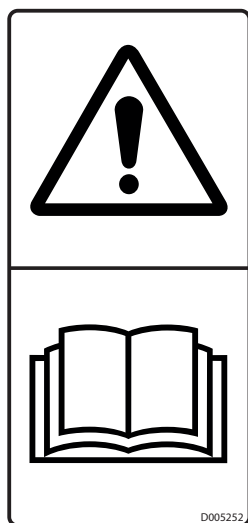


- B. D005262  WARNING - P65 warning information.

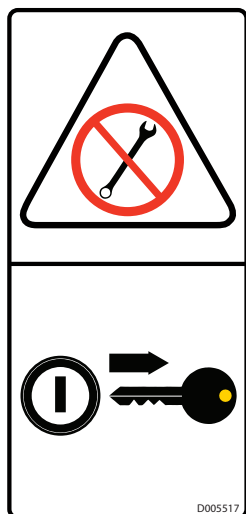
 **WARNING:** This product can expose you to chemicals including 1,3-Butadiene and lead, which are known to the state of California to cause cancer and birth defects or other reproductive harm. For more information go to www.P65Warnings.ca.gov.

D005262

C. D005252 ⚠ WARNING - Read and understand safety signs on the machine and operating instructions in this manual before operating machine.



D. D005517 ⚠ WARNING - Remove key before servicing.



E. D005255 ⚠ WARNING - Rotating blade hazard. Keep back 75 m while machine is operating. Wait for blade to stop before approaching machine.



4 OPERATION

4.1 Preparation For Use

 **WARNING**

Drilling, sawing, sanding or machining wood products can expose you to wood dust, a substance known to the State of California to cause cancer.

Avoid inhaling wood dust or use a dust mask or other safeguards for personal protection. For more information go to www.P65Warnings.ca.gov/wood.

 **WARNING**

Wear an approved dust mask or respirator.

Follow local, state and federal regulations.

Although the cutter has been carefully inspected and checked prior to shipment from manufacturer, it is recommended that the unit be thoroughly inspected.

Check all bolts for tightness and remove all shipping tags, bags, skids, and blocking.

Remove any masking materials affixed during painting. Inspect the skid-steer and any accessory equipment to Verify that nameplates and all safety warning, caution signs and decals provided with the equipment are in place and clearly visible.

Visually inspect the unit before each start up. Check for loose or missing parts and any damage that may have occurred during moving or shipping.

Review all skid steer pre-start instructions, and ensure that all recommended steps and procedures have been followed.

4.2 Removing Skids Or Blocks

If the cutter is shipped on a skid it will be in a vertical position and must be lowered to horizontal position before use. Due to the weight of the machine, CAUTION must be taken when doing this. Use an appropriate lifting device to lower machine into operating position, failure to do so could result in serious injury or death.

Always keep the weight of the machine in mind. Never position body in line of impact or in anyway underneath the machine.

4.3 Hydraulic Connections

 **WARNING**

Pressurized fluids can penetrate the skin.

Disconnect and lock out power source before disconnecting and/or connecting hydraulic hoses.

The cutter is equipped with three hoses. You must connect the pressure, return and case drain hoses from cutter to skid steer hydraulic couplers.

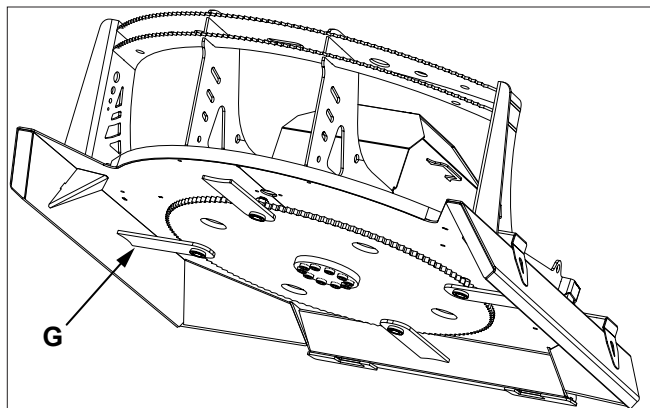
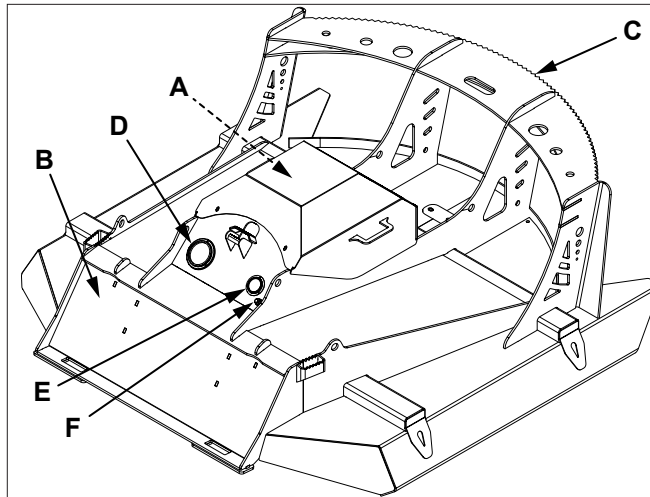
If cutter is not equipped with hydraulic couplers, install couplers and connect your skidsteer pressure, return and case drain hoses to the cutter hoses. Install your couplers to the hoses listed in the table below.

Fitting Size	Hose Description	Qty.
3/4 JIC FM	Pressure & Return	2
1/2 JIC FM	Case Drain	1

Identify the pressure port hose and connect your hoses to the cutter hoses.

Motor pressure port is B port on block (A port on motor). Maximum allowable case pressure is 100 psi, case drain is required.

4.4 Machine Components



- A. Hydraulic Motor
- B. Quick Attach
- C. Push Bar
- D. Working Pressure Gauge
- E. Case Pressure Gauge
- F. Zero Leak Relief Valve
- G. Cutting Blades

4.5 Attaching/Detaching

1. Read ALL safety instructions.
2. Verify hydraulic lines are clear of pinch areas.
3. Verify there is sufficient visibility and maneuverability to move up to the cutter.
4. Verify pins are secure in the correct position.
5. Attach skid steer to cutter. See skid steer Operator's Manual.
6. Connect hydraulic hoses.
7. Move to a clear open area to test functions.



WARNING

Never position unit so that rotating blades are visible to operator.

4.6 First Time User Tips

Traveling at slower speeds will provide more efficient performance.

Operate in slightly rolled back position, this leaves more room for discharge allowing more tolerance for an unskilled operator.



WARNING

Turn off engine and remove key before leaving operator's seat.



WARNING

Drilling, sawing, sanding or machining wood products can expose you to wood dust, a substance known to the State of California to cause cancer.

Avoid inhaling wood dust or use a dust mask or other safeguards for personal protection. For more information go to www.P65Warnings.ca.gov/wood.



WARNING

Wear an approved dust mask or respirator.

Follow local, state and federal regulations.

4.7 Field Operation

WARNING

Prevent serious injury or death caused by unexpected movement:

1. Park skid steer on a level surface.
2. Engage skid steer park brake.
3. Disengage hydraulic drive.
4. Shut off engine and remove key.

WARNING

Never operate brush cutter when other people are in the vicinity. Debris can be thrown several feet from cutting area. Keep all shields in place.

Do not allow riders on skid steer.

Never approach brush cutter before rotor has come to a complete stop.

WARNING

Drilling, sawing, sanding or machining wood products can expose you to wood dust, a substance known to the State of California to cause cancer.

Avoid inhaling wood dust or use a dust mask or other safeguards for personal protection. For more information go to www.P65Warnings.ca.gov/wood.

WARNING

Wear an approved dust mask or respirator.

Follow local, state and federal regulations.

WARNING

Prevent serious injury or death.

It is recommended that the operating unit be equipped with a forestry guard to protect the operator.

1. Attach cutter to skid steer. See Attaching/ Detaching in this section.
2. Check the area you plan on working for any large stones or metal objects. Hitting these objects is very dangerous and will decrease the life of your blades and the machine in general.
3. The blades must be free to rotate before you start hydraulic oil flow. The blades need to be running at full speed before you start cutting brush.
4. If the blades stop rotating, raise deck a few inches until blades are rotating at full speed. If blades do not start rotating immediately after deck has been raised, stop oil flow on skid steer, lock all controls and check that blades are able to rotate freely.
5. If the brush is not as fine as desired, try slowing your travel speed or continuously travel the same path until brush is shredded to the desired level.
6. When you are finished, stop oil flow and idle skid steer for a few minutes to allow skid steer engine to cool before shut down.

5 SERVICE AND MAINTENANCE

5.1 Replace Blades



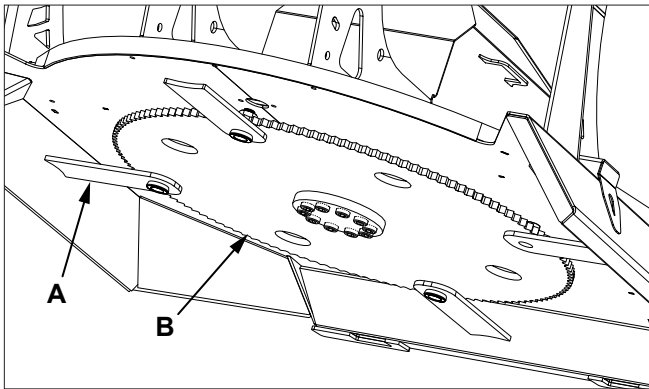
WARNING

Moving parts can crush and cut.

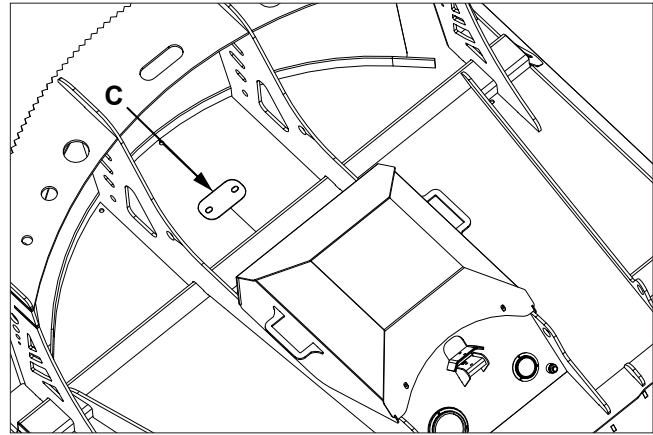
Keep clear of moving components.

Follow lockout procedure before servicing.

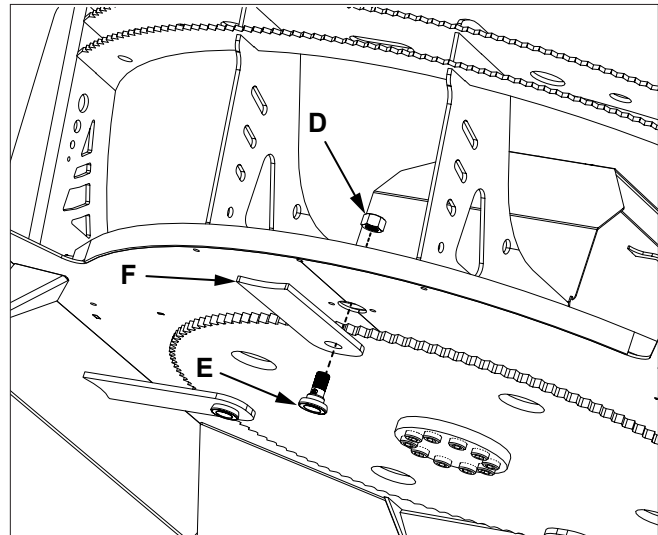
1. Park cutter on a level surface.
2. Lower cutter to the ground.
3. Shut off skid steer engine, remove key and lockout control panel.
4. Inspect blades (A) and blade carrier (B) for wear and damage. Do not replace just one blade. Replacing only blade can cause cutter to be out of balance. Replace blades in pairs.



5. Remove access cover (C).



6. Rotate blade carrier by hand so blade nut (D) is under access hole.
7. Remove nut (D), bolt (E) and blade (A).



8. Install new blade in reverse order of removal. Tighten nut to 795 lb-ft (1078 Nm) of torque.
9. Repeat steps 6-8 for other blades.

Note: Parts breakdown can be found on Baualight's website. www.baualight.com

5.2 Replace Blade Carrier

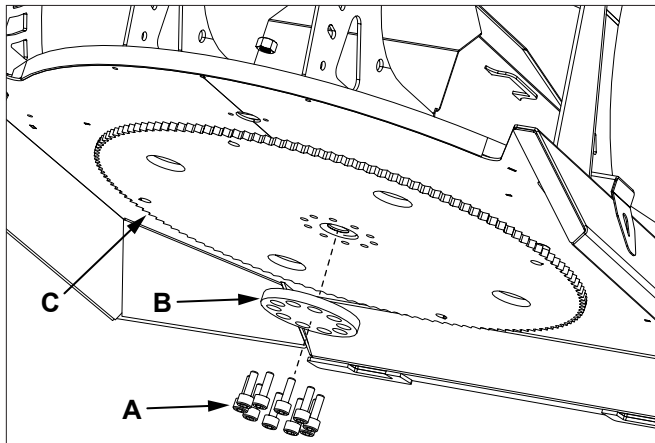
WARNING

Moving parts can crush and cut.

Keep clear of moving components.

Follow lockout procedure before servicing.

1. Park cutter on a level surface.
2. Lower cutter to the ground.
3. Shut off engine, remove key and lockout control panel.
4. Remove cutting blades. See Section 5.1.
5. Remove socket head screws (A).
6. Remove mounting plate (B) and blade carrier (C).



7. Install blade carrier (C), mounting plate (B) and socket head screws (A).
8. Tighten screws (A) to 339 lb-ft (469 Nm) of torque.

Note: Parts breakdown can be found on Baumalight's website. www.baumalight.com

5.3 Check Gearbox Oil

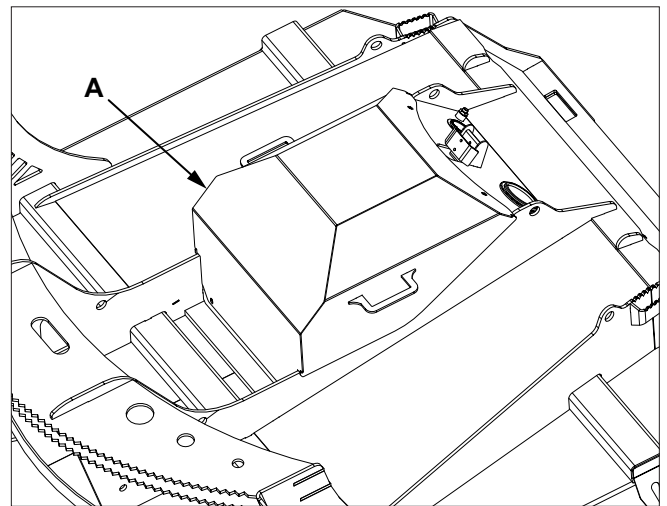
WARNING

Moving parts can crush and cut.

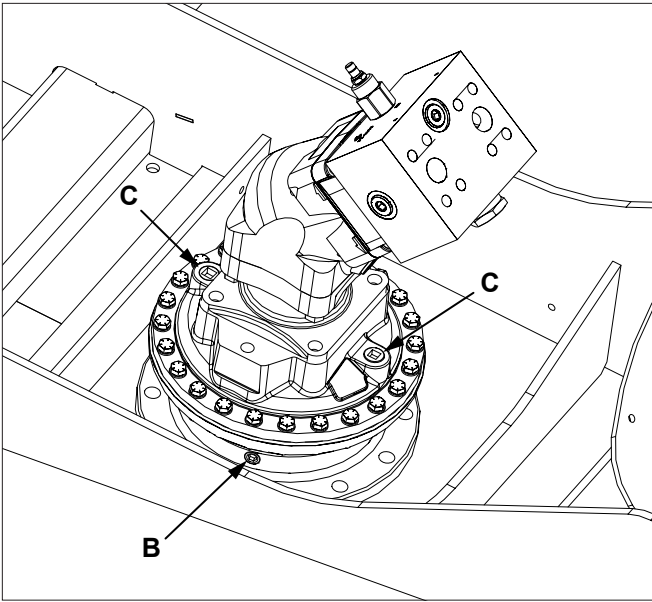
Keep clear of moving components.

Follow lockout procedure before servicing.

1. Park cutter on a level surface.
2. Lower cutter to the ground.
3. Shut off engine, remove key and lockout control panel.
4. Remove cover (A).



1. Remove plug (B) oil level should be at the bottom of plug hole.
2. If necessary, add a generic gear oil through one of the fill plugs (C) until oil is at the bottom of plug hole (B). Install plugs.



Change oil in gearbox every 1000 hours or every year of use. Capacity is 1 liter of gear oil.

5.4 Inspections

WARNING

Moving parts can crush and cut.

Keep clear of moving components.

Follow lockout procedure before servicing.

Check bolts and cutting blades every 2 hours of use. DO NOT continue operation if damage is found.

Check hydraulic hoses and fittings for leaks.

5.5 Motor Shaft Seal

The cutter is equipped with a case drain line that is to be routed to the skid steer hydraulic reservoir.

It is normal for a hydraulic motor to have a slight amount of internal leakage.

The case drain line will allow this internal leakage to be returned to the reservoir, preventing excessive pressure on the motor seal.

If the case drain line is not connected or becomes obstructed, the zero leak relief valve will vent the pressurized hydraulic oil to the atmosphere. The zero leak relief valve will self reset after hydraulic pressure reduced.

WARNING

Pressurized fluids can penetrate the skin.

Keep bystanders away from machine during operation.

A tiny, almost invisible leak can penetrate the skin, thereby requiring immediate medical attention.

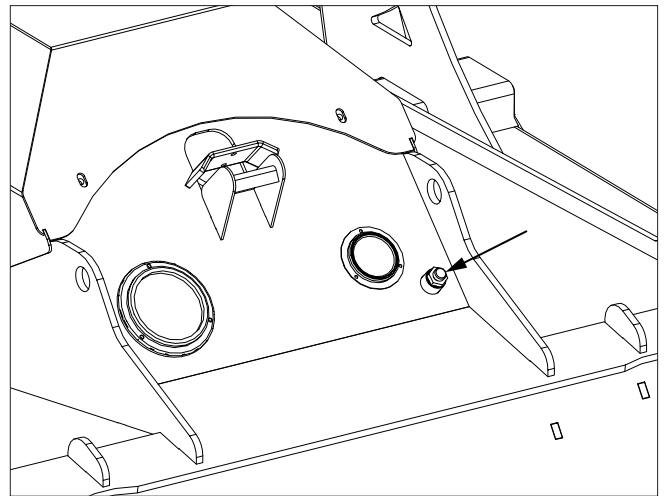
If hydraulic oil is coming out of the zero leak relief valve, shut down machine immediately. Inspect the case drain line connection and lines. Contact your dealer if case drain lines and connection are good.

NOTICE

Environmental hazard.

Clean up any spilled hydraulic oil immediately.

A properly installed case drain protected by a zero leak relief valve will save the work of replacing the motor shaft seal and also improve the efficiency of your hydraulic system.



6 TROUBLESHOOTING

PROBLEM	CHECK	SOLUTION
Rotor does not spin.	Rotor jammed.	Remove material from rotor. See Clearing Jams.
	Low oil level.	Check oil level in skid steer. Add if necessary.
	Low oil flow.	Check flow control on skid steer. See your dealer.
	Can rotor be turned by hand with the hydraulics disconnected?	If yes, check for a stuck relief valve. If no, determine if the rotor is stuck or the motor or over hung load adaptor are stuck. If the motor or overhung load adaptor is stuck, remove and determine cause of problem.
Rotor rotates slow or sluggish.	Low oil.	Check oil level in skid steer. Add if necessary.
	Oil filter plugged.	Replace skid steer oil filter.
	Relief valve not set properly.	Set relief pressure 2500 - 3500 psi.
	Low oil flow.	Check flow control on skid steer. See your dealer.
Excessive vibration.	Cutting blades worn or missing.	Replace worn, broken or missing blades.
	Debris lodged in rotor.	Remove debris.
Hydraulic oil coming out of zero leak relief valve.	Case drain connector for proper connection and line for obstructions or pinched line.	Connect case drain line if not connected. Replace line if damage, obstructed or pinched.
	Combo coupler seals on skid steer.	Combo coupler seals may be leaking, allowing pressurized fluid to escape to the case drain line.

BAUMALIGHT ATTACHMENT WARRANTY

The product is warranted to be free of defects in materials and workmanship under normal use and service, for a period of one year from the date of purchase. This warranty covers parts and labor, but does not cover misuse, negligence, dealer travel time and shipping costs to and from the dealer.

Replacement of individual parts vs. assemblies are at the discretion of the manufacturer.

Warranted replacement parts will be shipped to the customer free of charge via ground shipping. If expedited shipping requested, the customer will be charged the difference between ground shipping and the cost of expedited shipping. Damage in transit is not covered by warranty.

Baumalight products purchased new must be registered for warranty at <https://baumalight.com/support/product-registration>.

Warranty claims must include the original bill of sale. This warranty is extended only to the original purchaser and there is never any warranty on anything sold through auction.

This product must be operated and maintained in accordance with the Operating and Maintenance Instructions supplied with this unit.

Under no circumstances will the manufacturer be liable for any consequential damage or expense of any kind, including loss of profits. The manufacturer is under no circumstances liable for carrier unit damage of any kind. The manufacturer is not liable for the maintenance of the product. Baumalight will not cover time to diagnose and repair compatibility issues between carrier and attachment.

When receiving a shipment from the manufacturer:

Compare items received with the carriers bill of lading.

Check for damage before signing for the shipment. If damage is found, note damage on carriers bill of lading and photograph the damage.

Warranty repairs may be done by the end user if the end user is willing and capable.

The Manufacturer's Liability is limited to repair of the product and/or replacement of parts and is given to the purchaser in lieu of all other remedies including incidental and consequential charges. There are no warranties, expressed or implied other than those specified herein. For the nearest Authorized Service Center call the manufacturer.

The allowable time for dealers to perform some repairs can be found on our website in the support section under Service And Instruction Videos & Support. If website does not list a time for the repair, dealer must contact the manufacturer before starting the repair to find how much time will be covered for the activity. The manufacturer will only cover up to 1 hour to diagnose and troubleshoot an issue, regardless of the suggestions recommended by the manufacturer to check and verify an issue.

Model Number: _____ S/N: _____

Date of Purchase: _____ Owner's Name _____

For parts, specifications and the latest machine information please visit our website.

www.baumalight.com



MTB MFG INC.
CORPORATE HEADQUARTERS
4575 Powell Rd.,
Wallenstein, Ontario Canada
N0B 2S0
Phone - 519.698.9864
www.baumalight.com

