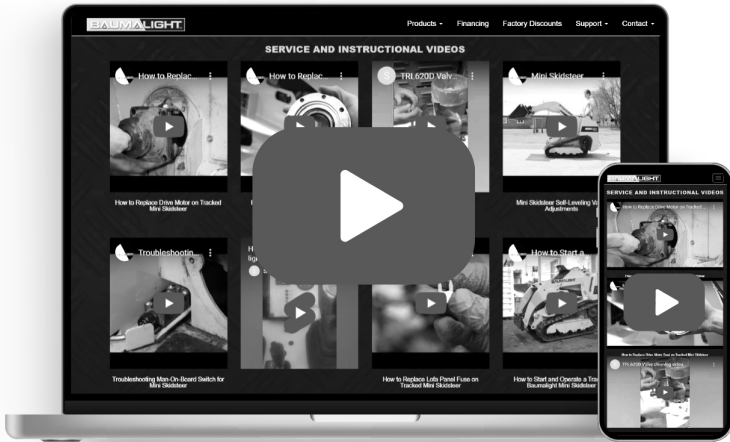


# **BAUMALIGHT™**

**CXC530, CXC542 and CXC550 Brush Cutt**

**OPERATOR'S MANUAL**

Issue Date: May 2024



## Service And Instructional Videos

Find online at  
[baumalight.com/support](http://baumalight.com/support)

Following is a list of videos and documents available on Baumalights website and also on YouTube to help and enhance maintaining the brush cutter. The list below was current at the time this manual was issued. Additional content may be available.

Activity ID Number	Activity Name	Description	Item Available
253	Blade Maintenance.	When To Replace Blades.	Video
139	Replace Motor Shaft Seal.	Replace Shaft Seal On Piston Motor.	Video
103	Remove Seal.	Remove Seal On Motor Or Load Adapter.	Video
121	Zero-Leak Relief Valve.	Demonstrating And Troubleshooting Zero-Leak.	Video
318	Hydraulic Motor.	Breaking In Replacement Hydraulic Motor.	Video

# TABLE OF CONTENTS

<b>1 INTRODUCTION</b> .....	<b>4</b>
1.1 Overview.....	4
1.2 Intended Use And Foreseeable Misuse .....	4
<b>2 SAFETY</b> .....	<b>5</b>
2.1 Safety Alert Symbol And Safety Words .....	5
2.2 Operational Hazards.....	5
Prepare For Emergencies .....	6
Replace Safety Signs .....	6
Do Not Allow Riders .....	6
Lower Operating Speed .....	6
Avoid Rollover .....	7
Avoid Powerlines & Underground Utilities .....	7
Detach Cutter Safely.....	7
Hazards From Modifying Equipment .....	7
2.3 Maintenance Hazards .....	9
<b>3 SAFETY SIGNS</b> .....	<b>10</b>
3.1 CXC530 Decals .....	10
3.2 CXC542 And CXC550 Decals .....	12
<b>4 OPERATION</b> .....	<b>14</b>
4.1 Preparation For Use .....	14
4.1.1 EXCAVATOR ADAPTER .....	14
4.1.2 HYDRAULIC CONNECTIONS .....	14
4.2 Machine Components .....	15
4.3 Attach Brush Cutter.....	15
4.4 Transporting.....	16
4.5 First Time User Tips .....	16
4.6 Field Operation .....	17
4.7 Detach Brush Cutter.....	18
<b>5 SERVICE AND MAINTENANCE</b> .....	<b>19</b>
5.1 Daily .....	19
5.2 First Hour Of Use.....	19
5.3 Every Four Hours .....	20
5.4 Every Week .....	20
5.5 Replace Cutting Blades .....	20
5.6 Motor Shaft Seal .....	21
<b>7 TROUBLESHOOTING</b> .....	<b>22</b>
<b>BAUMALIGHT ATTACHMENT WARRANTY</b> .....	<b>23</b>

# 1 INTRODUCTION

## 1.1 Overview

Congratulations on your choice of a Baumalight Brush Cutter to complement your brush cutting operation. This equipment has been designed and manufactured to meet the needs of a discriminating buyer for efficient brush cutting.

The unique rotor design reduces the brush to mulch. Controlling the brush cutter is done completely from the excavator providing the ability for precise control and operator comfort.

Excavator must have suitable safety equipment properly installed.

Safe, efficient and trouble free operation of your Brush Cutter requires that you and anyone else who will be operating or maintaining the Brush Cutter, read and understand the Safety, Operation, Maintenance and Troubleshooting information contained within the Operator's Manual.

This manual covers the Baumalight CXC530, CXC542 and CXC550 Brush Cutter. Use the Table of Contents as a guide to locate required information.

Keep this manual handy for frequent reference and to pass on to new operators or owners. Call your Baumalight dealer, distributor or the factory if you need assistance, information or additional copies of the manuals.

**OPERATOR ORIENTATION** - The directions left, right, front and rear, as mentioned throughout this manual, are as seen from the driver's seat and facing in the direction of travel.

## 1.2 Intended Use And Foreseeable Misuse

The cutter is designed to be used by an experienced operator. Operator must be trained in the safe operation of an excavator and hazards related to using the brush cutter and the safe use of the brush cutter for the intended purpose. Operators will require personal protective equipment to reduce the risk from some hazards that cannot be completely eliminated or controlled by the design of the cutter.

Care is required to ensure that the brush cutter will not come in contact with metallic objects, stones or other materials.

Brush cutters are not designed for use in hazardous atmospheres where there is a risk of fire or explosion due to flammable gases or vapors. Use in hazardous, explosive atmospheres is prohibited. Serious injury or death of the operator or bystanders may be caused if cutter is misused. Misuse may also cause damage to the machine carrying the cutter.

## 2 SAFETY

### 2.1 Safety Alert Symbol And Safety Words

You must read, understand and follow the instructions given by the operating unit manufacturers, as well as the instructions in this manual.

The safety information in this manual is denoted by the safety alert symbol:



This symbol means ATTENTION! BECOME ALERT! YOUR SAFETY IS INVOLVED!

The level of risk is indicated by the following signal words:


 <b>DANGER</b>
<b>DANGER</b> - Indicates a hazardous situation, which, if not avoided, <b>WILL</b> result in death or serious injury.


 <b>WARNING</b>
<b>WARNING</b> - Indicates a hazardous situation, which, if not avoided, could result in death or serious injury.

 <b>CAUTION</b>
<b>CAUTION</b> - Indicates a hazardous situation, which, if not avoided, could result in minor or moderate injury.

<b>NOTICE</b>
<b>NOTICE</b> - Indicates a situation that could result in damage to the equipment or other property.

### 2.2 Operational Hazards

 <b>WARNING</b>
<b>Prevent serious injury or death.</b>
<b>Read and understand this manual before operating the tree spade.</b>
<b>Always stop engine and remove key before leaving operators seat.</b>
<b>Never allow anyone near the cutter during operation.</b>
<b>Travel at a safe speed.</b>

 <b>WARNING</b>
<b>Prevent serious injury or death from moving parts.</b>
<b>Moving parts can crush and dismember.</b>
<b>Do not operate without guards and shields in place.</b>
<b>Disconnect and lockout power source before adjusting or servicing.</b>

 <b>WARNING</b>
<b>Use cutter only for the designed applications.</b>
<b>Any other use may result in personal injury, damage to equipment and may void the warranty.</b>



## WARNING

**Prevent serious injury or death.**

**Verify cutter is locked to excavator before operation or transport.**



## WARNING

**Protect from flying debris.**

**Wear proper safety glasses, goggles, or a face shield to protect from flying debris.**

Carefully read all safety messages in this manual and on equipment safety signs. Keep safety signs in good condition and replace missing or damaged safety signs.

New equipment components and repair parts must include the current safety decal.

Learn how to properly operate equipment. NEVER operate or work around this equipment without proper instruction, while fatigued or under the influence of alcohol, prescription or non-prescription medication or if feeling ill.

Keep your equipment in proper working condition.

Know the regulations and laws that apply to you and your industry. This manual is not to replace any regulations or laws. Additional information may be found at: [www.asae.org](http://www.asae.org) or [www.osha.gov](http://www.osha.gov).

If you do not understand any part of this manual, contact Baumalight at 866-820-7603.

## Prepare For Emergencies

- Be prepared in case of emergencies.
- Keep a fire extinguisher and first aid kit close to the machine.
- Keep emergency phone numbers close to your phone.
- Know your address so emergency services can locate you if an emergency arises.

## Replace Safety Signs

- Replace missing or damaged safety signs.
- Safety signs are identified in Section 3 of this manual.
- Replacement safety signs are available from your Baumalight dealer.

## Do Not Allow Riders

- NEVER lift or carry anyone on cutter.
- NEVER use cutter as a work platform.
- NEVER allow passengers on cutter.

## Lower Operating Speed

- Keep cutter low and move at slow speeds on rough or uneven terrain.
- Lower operating speed while operating in heavy conditions.

## Avoid Rollover

The equipment may rollover, resulting in death or serious injury. To help prevent rollover:

- Travel at a slow speed.
- Avoid sharp turns & sudden movement on slopes.
- Carry cutter close to the ground.
- Avoid holes, ditches and other obstructions which may cause equipment to rollover.
- Balance load so weight is evenly distributed and load is stable.
- Use caution when operating on slopes and do not operate on excessively steep slopes.
- Do not exceed load capacity of equipment.

## Avoid Powerlines & Underground Utilities



### **DANGER**

**Prevent electrocution.**

**Death or serious injury can result if equipment comes near or contacts power lines.**

**Electrocution can occur without direct contact.**

- Check clearance before raising equipment.
- Have local utilities locate and mark underground wires, cables, pipelines and other hazards before operation.

DO NOT leave the operator's seat if any part of the equipment contacts electric lines or cables.

## Detach Cutter Safely

Detach cutter on a firm and level surface. Be sure people, livestock and pets are clear of machinery.

## Raised Attachment



### **WARNING**

**Crushing hazard.**

**Raised, unsupported cutter can fall, resulting in death or serious injury.**

**Never enter the area under a raised cutter.**

A raised cutter can lower unexpectedly, resulting in death or serious injury.

NEVER enter area under a raised cutter.

Lower cutter to ground, engage parking brake, shut off engine and remove key before servicing.

## Hazards From Modifying Equipment

Do not make any alterations to your cutter. Altering may cause your equipment to be unsafe and may void the manufacturers' warranty.

## Avoid Loud Noise



### **WARNING**

**Prolonged exposure to loud noise can cause impairment or loss of hearing.**

**Wear a suitable hearing protective device such as earmuffs or earplugs to protect against objectionable or uncomfortable loud noises.**

## Stay Clear Of Moving Parts

 **WARNING**

Moving parts can cause serious injury or death.

Keep shields and guards in place at all times. **DO NOT** operate without shields and guards.

**DO NOT** wear loose fitting clothing.

## Avoid Wood Dust Inhalation

 **WARNING**

Drilling, sawing, sanding or machining wood products can expose you to wood dust, a substance known to the State of California to cause cancer.

Avoid inhaling wood dust or use a dust mask or other safeguards for personal protection. For more information go to [www.P65Warnings.ca.gov/wood](http://www.P65Warnings.ca.gov/wood).

 **WARNING**

Wear an approved dust mask or respirator.

Follow local, state and federal regulations.



## 2.3 Maintenance Hazards

Before servicing, park machine on a firm and level surface, set parking brake and place a “Do Not Operate” tag on control panel. Read and understand this manual. If you do not understand any part of the manual, contact Baumalight at 866-820-7603.

Always wear face and/or eye protection, safety shoes, and other protective equipment appropriate for the job.

Do not make unauthorized modifications. Contact Baumalight at 866-820-7603. Before you weld, cut/drill holes, or make any other modifications.

Always use Baumalight replacement parts.

### **WARNING**

**Moving parts can crush and cut.**

**Keep clear of moving components.**

**Follow lockout procedure before servicing.**

### **WARNING**

**Crushing hazard.**

**Before performing inspections, service or maintenance:**

- Park machine on firm, level surface.
- Engage parking brake.
- Turn engine off and remove key.
- Place “Do Not Operate” tag on control panel.

### **WARNING**

**Entanglement hazard.**

**Keep clear of moving components.**

**Wear proper protective equipment appropriate for the job.**

### **WARNING**

**Burn hazard.**

**Hot and high pressure hydraulic oil.**

**Allow oil to cool before servicing.**

### **WARNING**

**Drilling, sawing, sanding or machining wood products can expose you to wood dust, a substance known to the State of California to cause cancer.**

**Avoid inhaling wood dust or use a dust mask or other safeguards for personal protection. For more information go to [www.P65Warnings.ca.gov/wood](http://www.P65Warnings.ca.gov/wood).**

### **WARNING**

**Wear an approved dust mask or respirator.**

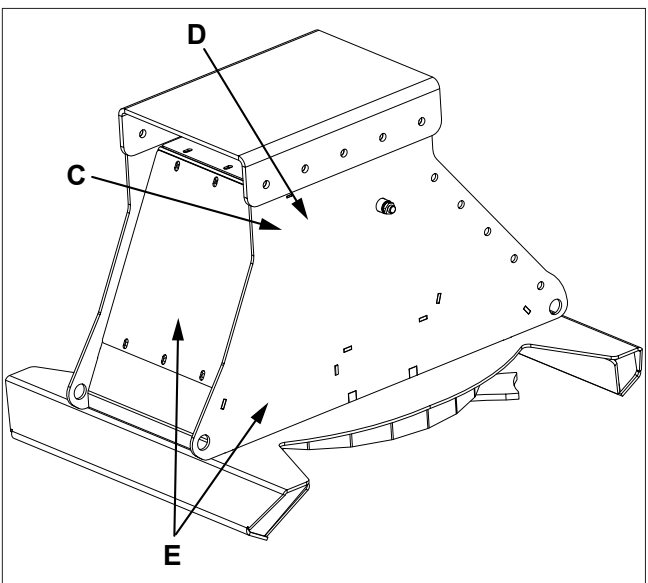
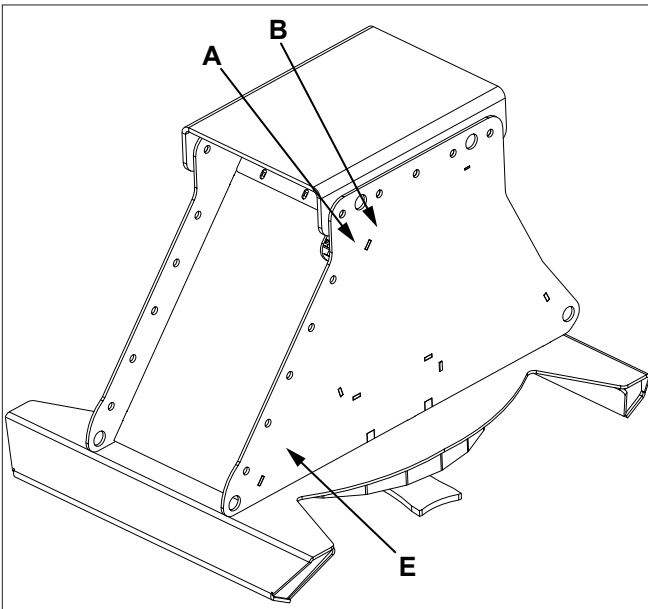
**Follow local, state and federal regulations.**


# 3 SAFETY SIGNS

## 3.1 CXC530 Decals

The two and four panel safety decals are pictorial and have a yellow background. The panel with a triangle indicates the potential hazard. The panel without a triangle indicates how to avoid the hazard.


If any of the decals are missing, are damaged, or if you do not understand the decal, please contact your dealer.




- A. D005126  WARNING - Pressurized fluid hazard. Pressurized fluids can penetrate the skin. Do not check for leaks with your hands. Keep back a safe distance when pressurized.

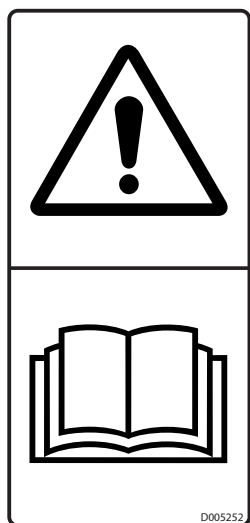



- B. D005262  WARNING - P65 warning information.

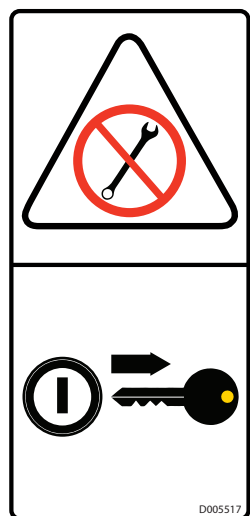
 **WARNING:** This product can expose you to chemicals including 1,3-Butadiene and lead, which are known to the state of California to cause cancer and birth defects or other reproductive harm. For more information go to [www.P65Warnings.ca.gov](http://www.P65Warnings.ca.gov).


D005262

- C. D005125  WARNING - Read and understand safety signs on the machine and operating instructions in this manual before operating machine.



- D. D005517  WARNING - Remove key before servicing.



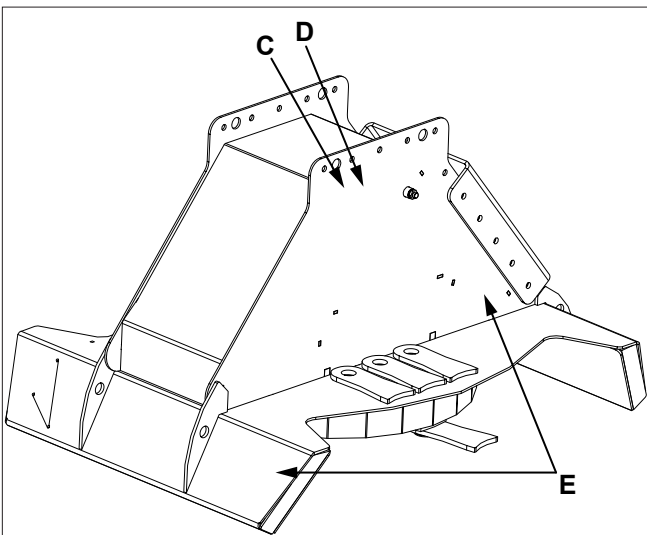
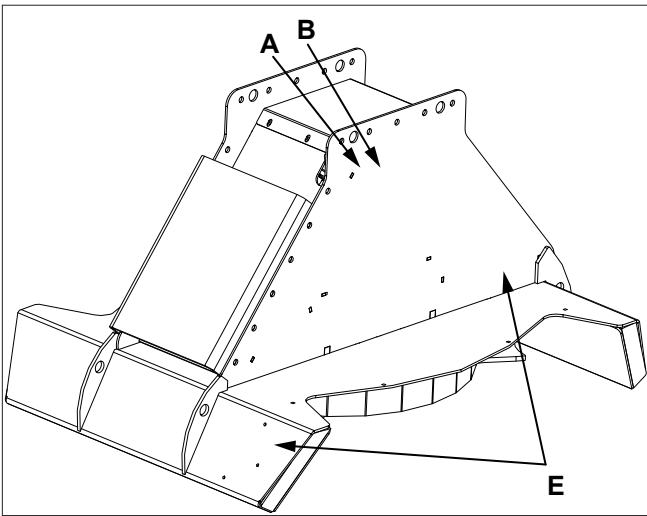
- E. D005223  WARNING - Rotating blade hazard. Keep back 75 m while machine is operating. Wait for blade to stop before approaching machine.




### 3.2 CXC542 And CXC550 Decals


The two and four panel safety decals are pictorial and have a yellow background. The panel with a triangle indicates the potential hazard. The panel without a triangle indicates how to avoid the hazard.


If any of the decals are missing, are damaged, or if you do not understand the decal, please contact your dealer.



- A. D005126  WARNING - Pressurized fluid hazard. Pressurized fluids can penetrate the skin. Do not check for leaks with your hands. Keep back a safe distance when pressurized.

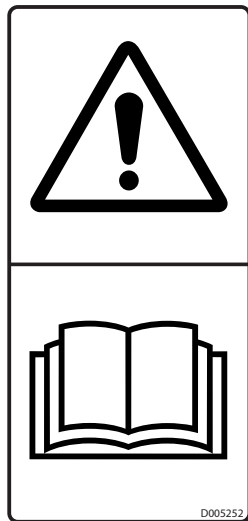


- B. D005262  WARNING - P65 warning information.

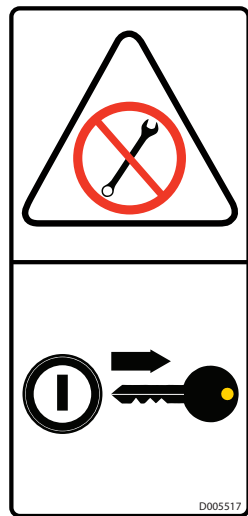
 **WARNING:** This product can expose you to chemicals including 1,3-Butadiene and lead, which are known to the state of California to cause cancer and birth defects or other reproductive harm. For more information go to [www.P65Warnings.ca.gov](http://www.P65Warnings.ca.gov).

D005262

- C. D005125 ⚠ WARNING - Read and understand safety signs on the machine and operating instructions in this manual before operating machine.



- D. D005517 ⚠ WARNING - Remove key before servicing.



- E. D005223 ⚠ WARNING - Rotating blade hazard. Keep back 75 m while machine is operating. Wait for blade to stop before approaching machine.



# 4 OPERATION

## 4.1 Daily Inspections

### WARNING

Drilling, sawing, sanding or machining wood products can expose you to wood dust, a substance known to the State of California to cause cancer.

Avoid inhaling wood dust or use a dust mask or other safeguards for personal protection. For more information go to [www.P65Warnings.ca.gov/wood](http://www.P65Warnings.ca.gov/wood).

### WARNING

Wear an approved dust mask or respirator.

Follow local, state and federal regulations.

Before each use, check/inspect the following:

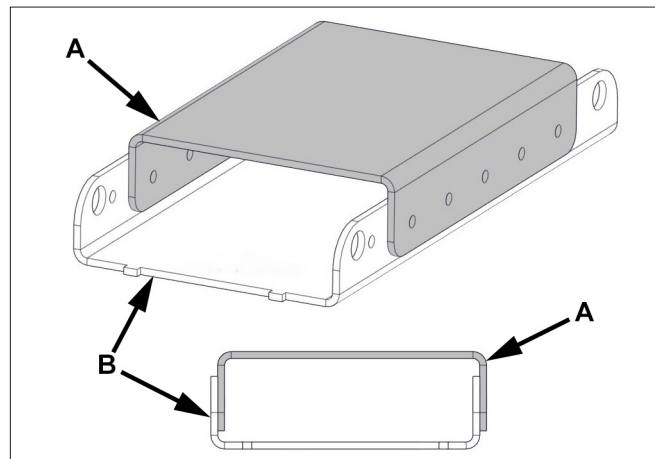
- Verify all hardware is tight.
- Look for signs of oil leakage.
- Inspect cutting blades for wear.
- Inspect for damage.
- Verify all safety warning, caution signs and decals provided with the equipment are in place and clearly visible.

Repair or replace any damaged, worn or broken components.

### 4.1.1 Excavator Adapter

1. Install excavator adapter (A) on either side of machine mounting bracket (B) as shown.
2. Install and tighten mounting hardware. Tightening the mounting hardware will pull the flanges into place.

**Note:** Excavator adapter design may vary but the mounting procedure is the same.



### 4.1.2 HYDRAULIC CONNECTIONS

#### WARNING

Pressurized fluids can penetrate the skin.

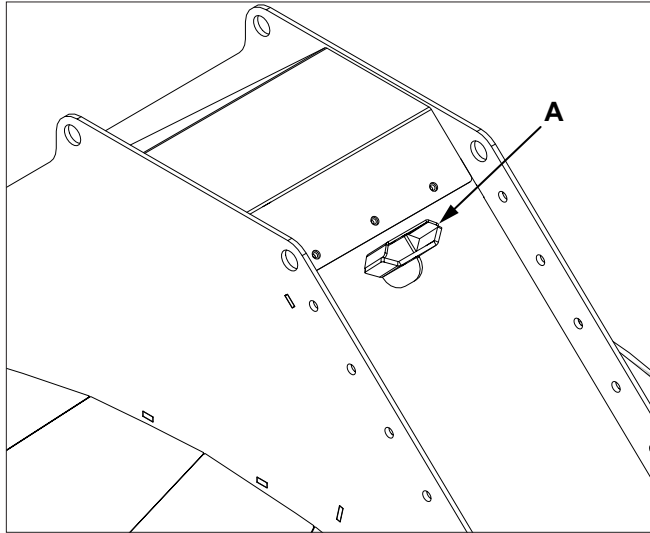
Disconnect and lock out power source before disconnecting and/or connecting hydraulic hoses.

Baumalight does not provide the hydraulic hoses that connect brush cutter motor/valve and motor case drain to excavator hydraulic system.

The installer must determine a safe routing for the hydraulic hoses to prevent damage.

Installer provided hoses are not covered by the Baumalight warranty.

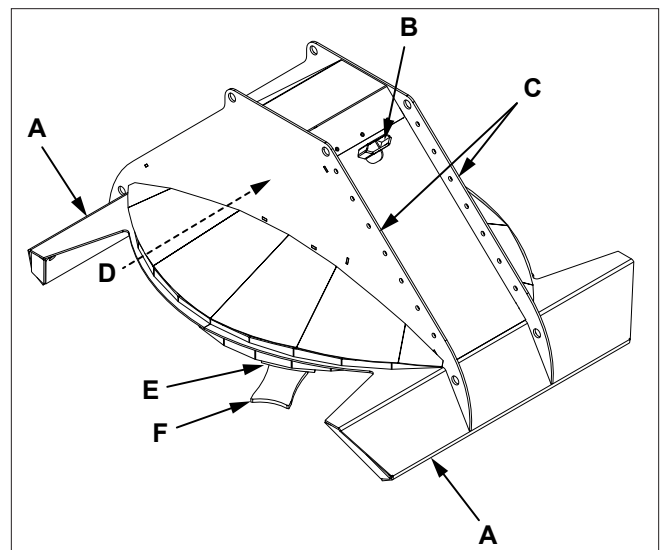
1. Route pressure and return hoses, and case drain hose through hose holder (A).



2. Remove fitting caps. Connect supply hose from excavator to A port on valve (if equipped with valve) or B port on motor.
3. Connect return hose to excavator to B port on valve (if equipped with valve) or A port on motor.
4. Connect case drain hose from excavator to case drain connector on motor. Install any covers that were removed.

## 4.2 Machine Components

- A. Push Bar
- B. Hydraulic Hose Holder
- C. Excavator Mounting Rails
- D. Hydraulic Motor
- E. Rotor
- F. Cutting Blade



## 4.3 Attach Brush Cutter

### WARNING

**To prevent injury or machine damage put transmission in park.**

**Never position yourself between excavator and cutter.**

**Only experienced and properly trained operator may operate excavator and cutter.**

1. Read and follow all safety instructions.
2. Attach excavator to cutter. See excavator operator's manual.
3. Connect hydraulic hoses. Verify hydraulic hoses are clear of pinch areas and moving parts.
4. Move to a clear open area to test functions.

## 4.4 Transporting

1. Verify all reflectors and Slow Moving Vehicle (SMV) sign are visible.
2. Verify hydraulics to cutter are disengaged.
3. Raise cutter slightly off the ground.
4. Travel at a reasonable and safe speed.

## 4.5 First Time User Tips

Operate all functions in a clear area low speed to get a good feel for the controls before you actually move into any brush.

Choose low density brush and move into it slowly, do not expect to get the first area done fast.

Move cutter into brush slowly until you have a better feel how much the unit can take.

Use push bar to push brush or small trees over and allow blades to contact lower portion of brush and mulch it or cut it off. The rest of the plant will be mulched as the machine moves through the working area.

Each operator must experiment to find a technique that works for them in their application.

Although it is best to mulch when it is dry, the machine works well in wet conditions. However, you must travel slower to do the same quality mulching. It may be necessary to clean the machine more frequently to prevent clogging.



### **WARNING**

**Always stop engine and remove key before leaving operators seat.**



### **WARNING**

**Drilling, sawing, sanding or machining wood products can expose you to wood dust, a substance known to the State of California to cause cancer.**

**Avoid inhaling wood dust or use a dust mask or other safeguards for personal protection. For more information go to [www.P65Warnings.ca.gov/wood](http://www.P65Warnings.ca.gov/wood).**



### **WARNING**

**Wear an approved dust mask or respirator.**

**Follow local, state and federal regulations.**



## 4.6 Field Operation

### WARNING

Prevent serious injury or death caused by unexpected movement:

1. Park on a level surface.
2. Lower cutter to ground.
3. Engage parking brake.
4. Shut off engine and remove key.

### WARNING

Keep shields and guards in place at all times. Do not operate without shields and guards.

Do not wear loose fitting clothing.

### WARNING

Never operate brush cutter when other people are in the vicinity.

Debris can be thrown from cutting area.

Do not allow riders.

### WARNING

Drilling, sawing, sanding or machining wood products can expose you to wood dust, a substance known to the State of California to cause cancer.

Avoid inhaling wood dust or use a dust mask or other safeguards for personal protection. For more information go to [www.P65Warnings.ca.gov/wood](http://www.P65Warnings.ca.gov/wood).

### WARNING

Wear an approved dust mask or respirator.

Follow local, state and federal regulations.

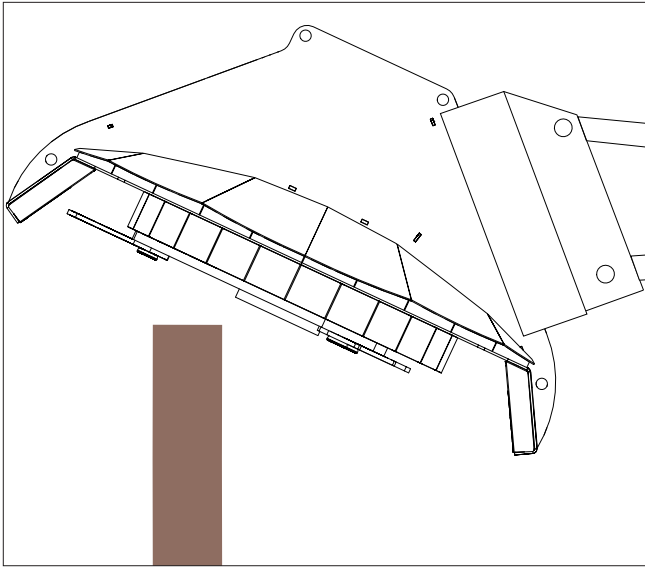
1. Inspect work area to verify there are no rocks, metal or other debris before cutting.
2. Attach cutter to excavator.

### WARNING

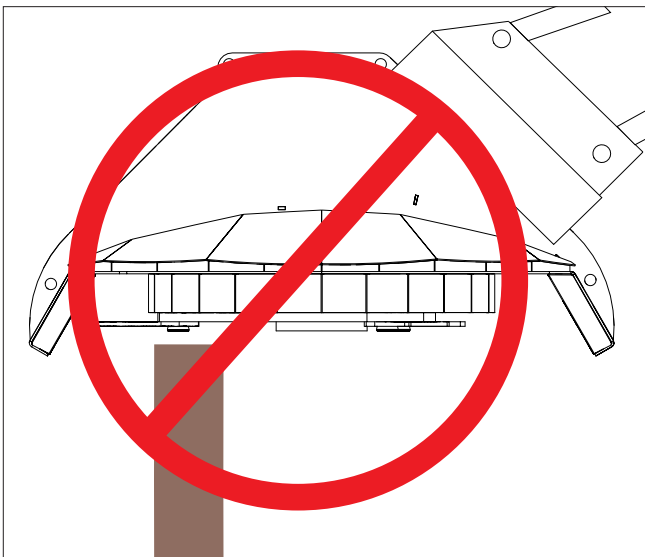
Prevent serious injury or death.

It is recommended that the operating unit be equipped with a forestry guard to protect the operator.

3. Set engine speed to low idle and engage cutter.
4. Slowly increase engine speed to high idle.
5. Verify cutter is operating smoothly and move cutter into brush. When mulching standing brush, angle cutter up and away from cab. This will protect the operator and carrier from flying debris. The rotor should not be visible from the operator compartment. Attempting to mulch top-down by raising the rotor horizontally will result in the cutter throwing debris towards the operator.



*Correct Angle For Standing Brush*



*Incorrect Raised Position For Standing Brush*

**⚠ WARNING**

**Moving parts can crush and cut.**

**Keep clear of moving components.**

**Lockout excavator before clearing jams.**

6. If cutter stalls, stop movement, slightly raise cutter and allow rotor to regain speed. Slow movement into brush to prevent further stalling.
7. Rotor will continue to spin freely when hydraulic power is disengaged. The rotor can be slowed by setting rotor against the soft ground and letting the friction stop the rotor. Do not set rotor on hard ground, stone or concrete. The cutter can be set on the ground and the rotor will gradually slow to a stop.

#### 4.7 Detach Brush Cutter

**⚠ WARNING**

**Prevent death or serious injury caused by unexpected movement:**

1. Park on a level surface.
2. Lower cutter to ground.
3. Engage parking brake.
4. Shut off engine and remove key.

1. Park excavator on a level surface.
2. Lower cutter to the ground.
3. Shut off engine and remove key.
4. Disconnect hydraulic hoses.
5. Detach excavator from cutter. See excavator Operator's Manual.

# 5 SERVICE AND MAINTENANCE

## WARNING

Drilling, sawing, sanding or machining wood products can expose you to wood dust, a substance known to the State of California to cause cancer.

Avoid inhaling wood dust or use a dust mask or other safeguards for personal protection. For more information go to [www.P65Warnings.ca.gov/wood](http://www.P65Warnings.ca.gov/wood).

## WARNING

Wear an approved dust mask or respirator.

Follow local, state and federal regulations.

### 5.1 Daily

## WARNING

Prevent serious injury or death caused by unexpected movement:

1. Park on a level surface.
2. Lower cutter to ground.
3. Engage parking brake.
4. Shut off engine and remove key.

Inspect the unit for buildup of dirt, mulch and debris. Clean out as needed.

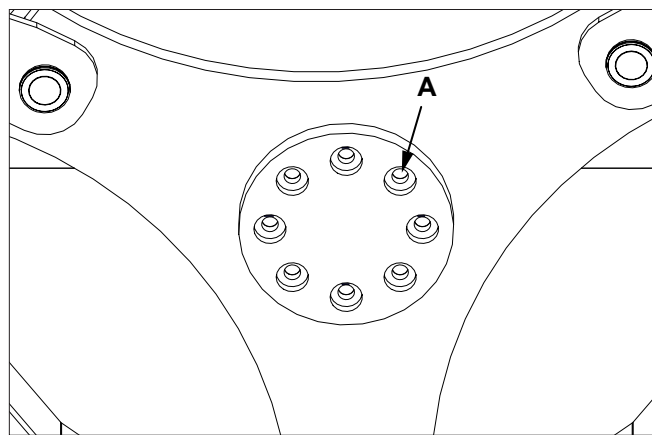
### 5.2 First Hour Of Use

## WARNING

Prevent serious injury or death caused by unexpected movement:

1. Park on a level surface.
2. Lower cutter to ground.
3. Engage parking brake.
4. Shut off engine and remove key.

Rotor bolts (A) must be retighten after the first hour of use on a new cutter. After initial check, check bolt tightness before each startup.



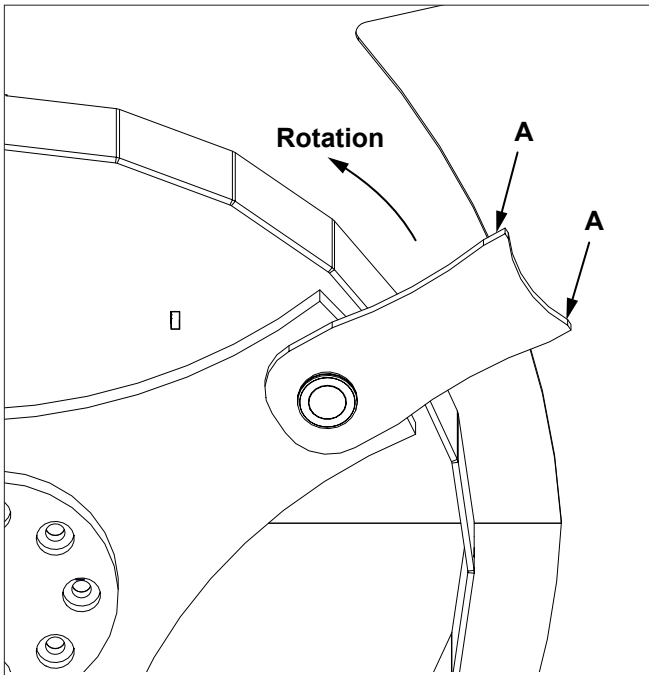
### 5.3 Every Four Hours

#### **WARNING**

Prevent serious injury or death caused by unexpected movement:

1. Park on a level surface.
2. Lower cutter to ground.
3. Engage parking brake.
4. Shut off engine and remove key.

Check cutting edge (A) of blades for wear and damage. Keep blades in good condition. Unit will cut faster and remaining blades will last longer if broken or worn blades are replaced.



**Note:** Parts breakdown can be found on Baumatic's website. [www.baumatic.com](http://www.baumatic.com)

### 5.4 Every Week

Verify cutting blade bolt cotter pins are in place and not damaged.

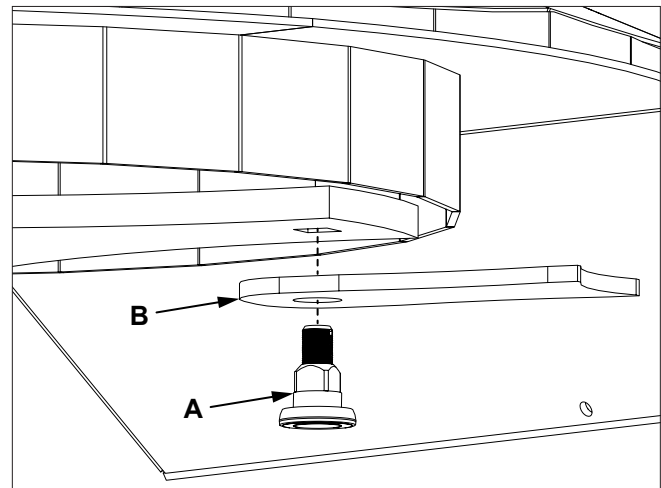
### 5.5 Replace Cutting Blades

#### **WARNING**

Prevent serious injury or death caused by unexpected movement:

1. Park on a level surface.
2. Lower cutter to ground.
3. Engage parking brake.
4. Shut off engine and remove key.

1. Park excavator and cutter on a level surface.
2. Lower cutter to the ground.
3. Shut off engine and remove key.
4. Inspect blades for damage and wear.
5. Remove cotter pin, castle nut, bolt (A) and blade (B).
6. Reverse blade or install new blade if necessary.
7. Install blade (B), bolt (A) and castle nut. Tighten to 170 lb/ft (230 Nm) of torque. Install cotter pin.



**Note:** Parts breakdown can be found on Baumatic's website. [www.baumatic.com](http://www.baumatic.com)

## 5.6 Motor Shaft Seal

The brush cutter motor is equipped with a case drain port. You must connect a case drain hose to case drain port and route to the excavator hydraulic reservoir.

It is normal for a hydraulic motor to have a slight amount of internal leakage.

The case drain line will allow this internal leakage to be returned to the reservoir, preventing excessive pressure on the motor seal.

If the case drain line is not connected or becomes obstructed, the zero leak relief valve will vent the pressurized hydraulic fluid to the atmosphere. The zero leak relief valve will self reset after hydraulic pressure reduced.

A properly installed case drain protected by a zero leak relief valve will save the work of replacing the motor shaft seal and also improve the efficiency of your hydraulic system.



### WARNING

**Pressurized fluids can penetrate the skin.**

**Keep bystanders away from machine during operation.**

**A tiny, almost invisible leak can penetrate the skin, thereby requiring immediate medical attention.**

If hydraulic fluid is coming out of the zero leak relief valve, shut down machine immediately. Inspect the case drain line connection and lines. Contact your dealer if case drain lines and connection are good.

### NOTICE

**Environmental hazard.**

**Clean up any spilled hydraulic fluid immediately.**

# 7 TROUBLESHOOTING

PROBLEM	CHECK	SOLUTION
Rotor does not spin.	Rotor jammed.	Remove material from rotor. See Clearing Jams.
	Low oil level.	Check oil level in excavator. Add if necessary.
	Low oil flow.	Check flow control on excavator. See your dealer.
	Can rotor be turned by hand with the hydraulics disconnected?	If yes, check for a stuck relief valve.  If no, determine if the rotor is stuck or the motor or over hung load adaptor are stuck.  If the motor or overhung load adaptor is stuck, remove and determine cause of problem.
Rotor rotates slow or sluggish.	Low oil.	Check oil level in excavator. Add if necessary.
	Oil filter plugged.	Replace excavator oil filter.
	Relief valve not set properly.	Set relief pressure 2500 - 3500 psi.
	Low oil flow.	Check flow control on excavator. See your dealer.
Excessive vibration.	Cutting blades worn or missing.	Replace worn, broken or missing blades.
	Debris lodged in rotor.	Remove debris.
Hydraulic fluid coming out of vented adapter or zero leak relief valve (if equipped).	Case drain connector for proper connection and line for obstructions or pinched line.	Connect case drain line if not connected. Replace line if damage, obstructed or pinched.
	Combo coupler seals.	Combo coupler seals may be leaking, allowing pressurized fluid to escape to the case drain line.

# BAUMALIGHT ATTACHMENT WARRANTY

The product is warranted to be free of defects in materials and workmanship under normal use and service, for a period of one year from the date of purchase. This warranty covers parts and labor, but does not cover misuse, negligence, dealer travel time and shipping costs to and from the dealer.

Replacement of individual parts vs. assemblies are at the discretion of the manufacturer.

Warranted replacement parts will be shipped to the customer free of charge via ground shipping. If expedited shipping requested, the customer will be charged the difference between ground shipping and the cost of expedited shipping. Damage in transit is not covered by warranty.

Baumalight products purchased new must be registered for warranty at <https://baumalight.com/support/product-registration>.

Warranty claims must include the original bill of sale. This warranty is extended only to the original purchaser and there is never any warranty on anything sold through auction.

This product must be operated and maintained in accordance with the Operating and Maintenance Instructions supplied with this unit.

Under no circumstances will the manufacturer be liable for any consequential damage or expense of any kind, including loss of profits. The manufacturer is under no circumstances liable for carrier unit damage of any kind. The manufacturer is not liable for the maintenance of the product. Baumalight will not cover time to diagnose and repair compatibility issues between carrier and attachment.

When receiving a shipment from the manufacturer:

1. Compare items received with the carriers bill of lading.
2. Check for damage before signing for the shipment. If damage is found, note damage on carriers bill of lading and photograph the damage.

Warranty repairs may be done by the end user if the end user is willing and capable.

The Manufacturer's Liability is limited to repair of the product and/or replacement of parts and is given to the purchaser in lieu of all other remedies including incidental and consequential charges. There are no warranties, expressed or implied other than those specified herein. For the nearest Authorized Service Center call the manufacturer.

The allowable time for dealers to perform some repairs can be found on our website in the support section under Service And Instruction Videos & Support. If website does not list a time for the repair, dealer must contact the manufacturer before starting the repair to find how much time will be covered for the activity. The manufacturer will only cover up to 1 hour to diagnose and troubleshoot an issue, regardless of the suggestions recommended by the manufacturer to check and verify an issue.

Model Number: \_\_\_\_\_ S/N: \_\_\_\_\_

Date of Purchase: \_\_\_\_\_ Owner's Name \_\_\_\_\_

Replacement parts sold after the equipment warranty has expired are warranted for a period of 30 days from the date of purchase. Labor, diagnosis and troubleshooting are not covered on replacement parts.

For parts, specifications and the latest machine information please visit our website.

[www.baumalight.com](http://www.baumalight.com)

MTB MFG INC.  
CORPORATE HEADQUARTERS  
4575 Powell Rd.,  
Wallenstein, Ontario Canada  
N0B 2S0  
Phone - 519.698.9864  
[www.baumalight.com](http://www.baumalight.com)

