

BAUMALIGHT™

DPH530, DPH532 And DPH735 Tree Saw

OPERATOR'S MANUAL

Issue Date: September 2024

TABLE OF CONTENTS

1 INTRODUCTION	4
1.1 Overview	4
1.2 Intended Use And Foreseeable Misuse	4
2 SAFETY	5
2.1 Safety Alert Symbol And Safety Words	5
2.2 Operational Hazards.....	5
Prepare For Emergencies	6
Replace Safety Signs	6
Do Not Allow Riders	7
Lower Operating Speed	7
Avoid Rollover	7
Detach Tree Saw Safely.....	7
Avoid Powerlines & Underground Utilities	7
Hazards From Modifying Equipment	8
2.3 Maintenance Hazards	9
3 SAFETY DECALS	10
3.1 DPH530 And DPH532.....	10
3.2 DPH735	12
4 OPERATION	14
4.1 Preparation For Use	14
4.2 Driveshaft Dimension.....	15
4.3 Pre-Operation.....	16
4.4 Machine Components	16
4.5 Attach Tree Saw	17
4.6 Detach Tree Saw	17
4.7 Transporting.....	18
4.8 Carbide Teeth Break-In.....	18
4.9 First Time User Tips	19
4.10 Field Operation	20
5 SERVICE AND MAINTENANCE	22
5.1 Maintenance	22
5.2 Inspections.....	23
5.3 Rotate Cutting Teeth - DPH530 And DPH532	24
5.4 Replace Cutting Teeth - DPH530 And DPH532.....	24
5.5 Rotate Cutting Teeth - DPH735.....	25
5.6 Replace Cutting Teeth - DPH735	25
5.7 Check Gearbox Oil Level	26
5.8 Slip Clutch Tension	27
6 TROUBLESHOOTING	28
7 STORAGE	29
7.1 Storing Tree Saw	29
7.2 Removing Tree Saw From Storage	29
7.2.1 SLIP CLUTCH	29
BAUMALIGHT ATTACHMENT WARRANTY	30

1 INTRODUCTION

1.1 Overview

Congratulations on your choice of a Baumalight Tree Saw to complement your pruning, trimming and clearing operation. This equipment has been designed and manufactured to meet the needs of a discriminating buyer for efficient clearing of brush, shrubs and trees.

The cutting blade is powered by the PTO on your tractor.

Safe, efficient and trouble free operation of your tree saw requires that you and anyone else who will be operating or maintaining the tree saw, read and understand the Safety, Operation, Maintenance and Troubleshooting information contained within the Operator's Manual.

This manual covers the Baumalight DPH Tree Saw. Use the Table of Contents as a guide to locate required information.

Keep this manual handy for frequent reference and to pass on to new operators or owners. Call your Baumalight dealer, distributor or the factory if you need assistance, information or additional copies of the manuals.

When this machine is worn out and no longer in use, it should be returned to the retailer or other source for recycling.

OPERATOR ORIENTATION - The directions left, right, front and rear, as mentioned throughout this manual, are as seen from the operator's seat and facing in the direction of travel.

1.2 Intended Use And Foreseeable Misuse

The Baumalight Tree Saw is designed to be used by experienced operators, trained in the safe operation of a tractor and trained in the hazards related to using the tree saw and the safe use of the tree saw for the intended purpose.

Operators will require personal protective equipment to reduce the risk from some hazards that cannot be completely eliminated or controlled by the design of the tool.

Care is required to ensure that the tree saw will not come across metallic objects, stones or other materials.

Tree saw is not designed for use in hazardous atmospheres where there is a risk of fire or explosion due to flammable gases or vapors. Use in hazardous, explosive atmospheres is prohibited.

Serious injury or death of the operator or bystanders may be caused if the tree saw is misused. Misuse may also cause damage to the machine carrying the implement.

2 SAFETY

2.1 Safety Alert Symbol And Safety Words

You must read, understand and follow the instructions given by the operating unit manufacturers, as well as the instructions in this manual.

The safety information in this manual is denoted by the safety alert symbol:



This symbol means ATTENTION! BECOME ALERT! YOUR SAFETY IS INVOLVED!

The level of risk is indicated by the following signal words:


 DANGER
DANGER - Indicates a hazardous situation, which, if not avoided, WILL result in death or serious injury.


 WARNING
WARNING - Indicates a hazardous situation, which, if not avoided, could result in death or serious injury.


 CAUTION
CAUTION - Indicates a hazardous situation, which, if not avoided, could result in minor or moderate injury.

NOTICE
NOTICE - Indicates a situation that could result in damage to the equipment or other property.

2.2 Operational Hazards

 WARNING
Prevent serious injury or death.
Read and understand this manual before operating the tree saw.
Always stop engine and remove key before leaving operators seat.
Never allow anyone near the tree saw during operation.
Travel at a safe speed.

 WARNING
Prevent serious injury or death from moving parts.
Moving parts can crush and dismember.
Do not operate without guards and shields in place.
Disconnect and lock out power source before adjusting or servicing.

 WARNING
Use tree saw only for the designed applications.
Any other use may result in personal injury, damage to equipment and may void the warranty.

 **WARNING**

Prevent serious injury or death.

Verify tree saw is attached to tractor before operation or transport.

 **WARNING**

Protect from flying debris.

Wear proper safety glasses, goggles, or a face shield to protect from flying debris.

 **WARNING**

Prevent serious injury or death.

It is recommended that the operating unit be equipped with a forestry guard to protect the operator.

Carefully read all safety messages in this manual and on equipment safety signs. Keep safety signs in good condition and replace missing or damaged safety signs.

New equipment components and repair parts must include the current safety decal.

Learn how to properly operate equipment. NEVER operate or work around this equipment without proper instruction, while fatigued or under the influence of alcohol, prescription or non-prescription medication or if feeling ill.

Keep your equipment in proper working condition.

Know the regulations and laws that apply to you and your industry. This manual is not to replace any regulations or laws. Additional information may be found at: www.asae.org or www.osha.gov.

If you do not understand any part of this manual, contact Baumalight at 866-820-5603.

 **WARNING**

Crush hazard.

Only cut trees that are at or less than the maximum height. See maximum tree height list below.

**DPH530 - 10 ft (3048 mm)
DPH735 - 12 ft (3658 mm)
DPH532 - 12.5 ft (3810 mm)**

Taller trees may fall on operator when cut.

Prepare For Emergencies

- Be prepared in case of emergencies.
- Keep a fire extinguisher and first aid kit close to the machine.
- Keep emergency phone numbers close to your phone.
- Know your address so emergency services can locate you if an emergency arises.

Replace Safety Signs

- Replace missing or damaged safety signs.
- Safety signs are identified in Section 3 of this manual.
- Replacement safety signs are available from your Baumalight dealer.

Do Not Allow Riders

- NEVER lift or carry anyone on the tree saw.
- NEVER use tree saw as a work platform.
- NEVER allow passengers on the tree saw.

Lower Operating Speed

- Keep tree saw low and move at slow speeds on rough or uneven terrain.

Avoid Rollover

The equipment may rollover, resulting in death or serious injury. To help prevent rollover:

- Travel at a slow speed.
- Avoid sharp turns & sudden movement on slopes.
- Carry tree saw close to the ground.
- Avoid holes, ditches and other obstructions which may cause equipment to rollover.
- Use caution when operating on slopes and do not operate on excessively steep slopes.
- Do not exceed load capacity of equipment.

Detach Tree Saw Safely

Detach tree saw on a firm and level surface. Tree saw may fall over if detached on sloping or soft surface. Be sure people, livestock and pets are clear of machinery.

See your tractor Operator's Manual.

Avoid Powerlines & Underground Utilities

DANGER

Prevent electrocution.

Death or serious injury can result if equipment comes near or contacts power lines.

Electrocution can occur without direct contact.

DO NOT leave the operator's seat if any part of the equipment contacts electric lines or cables.

Raised Attachment

WARNING

Crushing hazard.

Raised, unsupported tree saw can fall, resulting in death or serious injury.

Never enter the area under a raised tree saw.

A raised tree saw can lower unexpectedly, resulting in death or serious injury.

NEVER enter area under a raised tree saw.

Lower tree saw to ground, engage tractor parking brake, shut off engine and remove key before servicing.

Avoid Loud Noise



WARNING

Prolonged exposure to loud noise can cause impairment or loss of hearing.

Wear a suitable hearing protective device such as earmuffs or earplugs to protect against objectionable or uncomfortable loud noises.

Hazards From Modifying Equipment

Do not make any alterations to your tree saw. Altering the equipment may cause unsafe conditions and may void the manufacturer's warranty.

Avoid Wood Dust Inhalation



WARNING

Drilling, sawing, sanding or machining wood products can expose you to wood dust, a substance known to the State of California to cause cancer.

Avoid inhaling wood dust or use a dust mask or other safeguards for personal protection. For more information go to www.P65Warnings.ca.gov/wood.



WARNING

Wear an approved dust mask or respirator.

Follow local, state and federal regulations.

2.3 Maintenance Hazards

Before servicing, park machine on a firm and level surface, set tractor parking brake, remove key and place a “Do Not Operate” tag on control panel. Read and understand this manual. If you do not understand any part of the manual, contact Baumalight at 866-820-5603.

Always wear face and/or eye protection, safety shoes, and other protective equipment appropriate for the job.

Do not make unauthorized modifications. Contact Baumalight at 866-820-5603 before you weld, cut/drill holes, or make any other modifications.

Always use Baumalight replacement parts.



WARNING

Entanglement hazard.

Keep clear of moving components.

Wear proper protective equipment appropriate for the job.



WARNING

Crushing hazard.

Before performing inspections, service or maintenance:

Park machine on firm, level surface.

Engage parking brake.

Turn engine off and remove key.

Place “Do Not Operate” tag on control panel.



WARNING

Crushing hazard.

Before performing inspections, service or maintenance:

Park machine on firm, level surface.

Engage parking brake.

Turn engine off and remove key.

Place “Do Not Operate” tag on control panel.



WARNING

Drilling, sawing, sanding or machining wood products can expose you to wood dust, a substance known to the State of California to cause cancer.

Avoid inhaling wood dust or use a dust mask or other safeguards for personal protection. For more information go to www.P65Warnings.ca.gov/wood.



WARNING

Wear an approved dust mask or respirator.

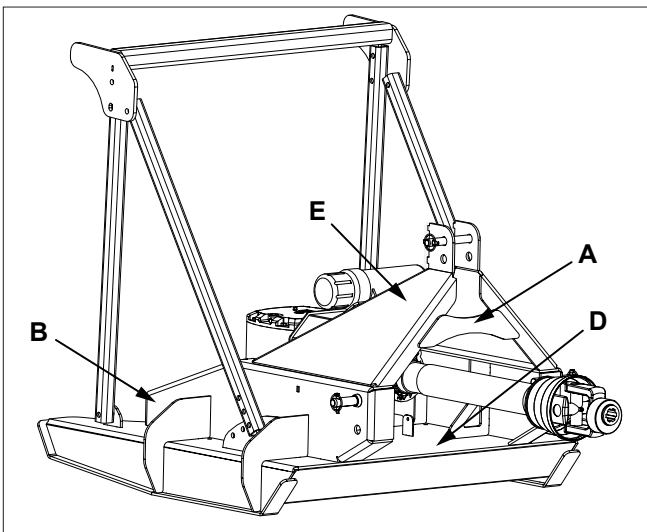
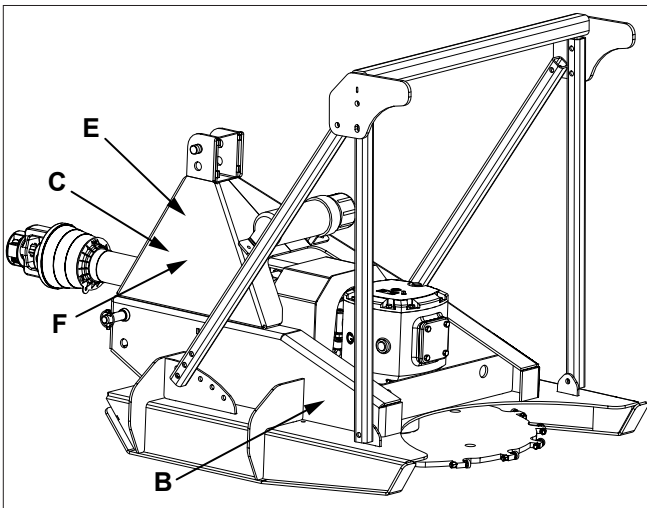
Follow local, state and federal regulations.


3 SAFETY DECALS

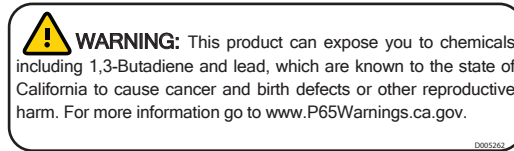
The two and four panel safety decals are pictorial and have a yellow background. The panel with a triangle indicates the potential hazard. The panel without a triangle indicates how to avoid the hazard.


If any of the decals are missing, are damaged, or if you do not understand the decal, please contact your dealer.

3.1 DPH530 And DPH532



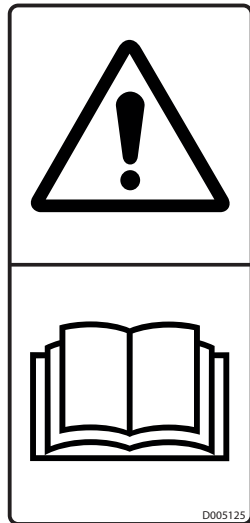
- A. D005262  WARNING - P65 warning information.



- B. D005223  WARNING - Rotating blade hazard. Keep back 75m while machine is operating. Wait for blade to stop before approaching machine.



- C. D005125 **⚠** WARNING - Read and understand safety signs on the machine and operating instructions in this manual before operating machine.

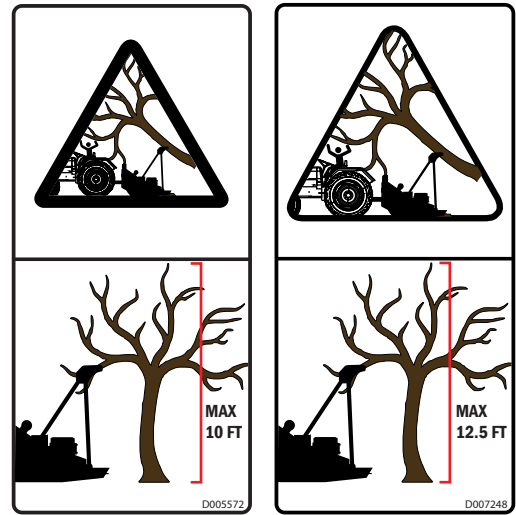


- D. D005224 **⚠** WARNING - Rotating driveshaft. Entanglement hazard. Keep away from driveshaft while it is rotating.



- E. DPH530 - D005572
DPH532 - D007248

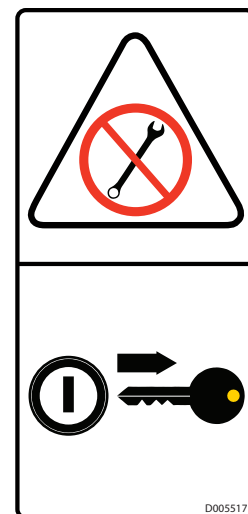
- ⚠** WARNING - Crush hazard. Tree maximum height limit.



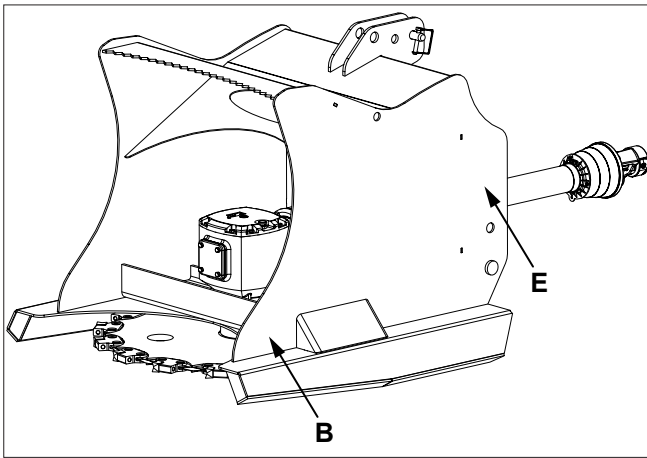
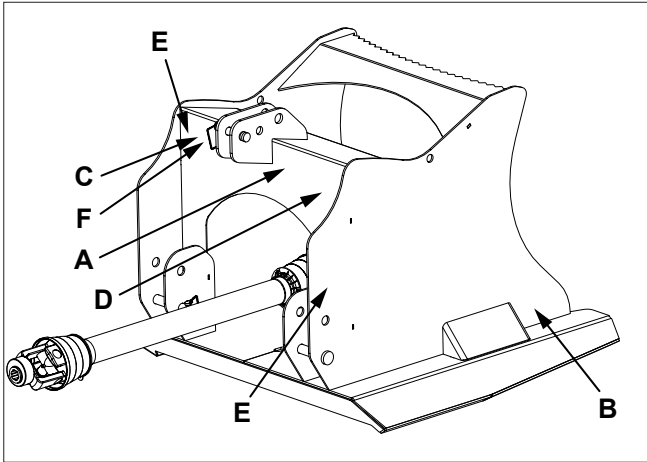
D005572


D007248

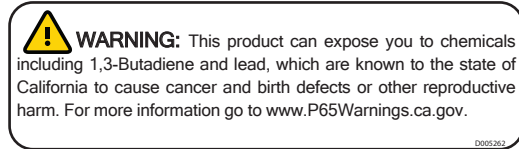
- F. D005517 **⚠** WARNING - Remove key before servicing.




3.2 DPH735



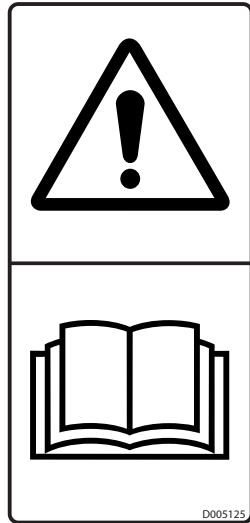
- A. D005262  WARNING - P65 warning information.



- B. D005223  WARNING - Rotating blade hazard. Keep back 75m while machine is operating. Wait for blade to stop before approaching machine.



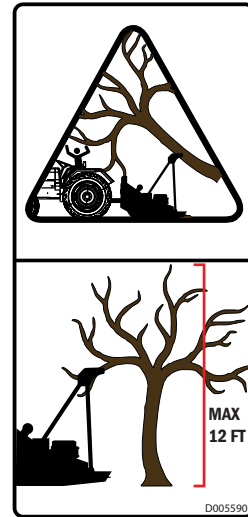
- C. D005125 **⚠** WARNING - Read and understand safety signs on the machine and operating instructions in this manual before operating machine.



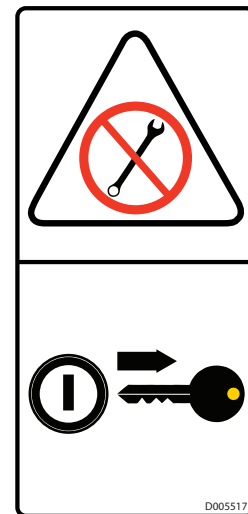
- D. D005224 **⚠** WARNING - Rotating driveshaft. Entanglement hazard. Keep away from driveshaft while it is rotating.



- E. D005590 **⚠** WARNING - Crush hazard. Tree maximum height limit.



- F. D005517 **⚠** WARNING - Remove key before servicing.



4 OPERATION

4.1 Preparation For Use

- ⚠ Keep away from work area.
- ⚠ Always wear protective equipment appropriate for the job.
- ⚠ Do not operate, work on or around this machine while under the influence of alcohol, drugs or if feeling ill.
- ⚠ Keep clear of moving machinery at all times.
- ⚠ Stop tractor engine before leaving operators area.
- ⚠ It is your responsibility to operate this equipment safely. You must be familiar with the equipment and all safety practices before use.
- ⚠ Do not allow untrained or unqualified people to operate this equipment.

Although the tree saw has been carefully inspected and checked prior to shipment from manufacturer, it is recommended that the unit be thoroughly inspected.

Check all bolts for tightness and remove all shipping tags, bags, skids, and blocking.

Review and understand this manual and operating unit manual.

Remove any masking materials affixed during painting. Inspect the tractor and any accessory equipment to verify that nameplates and all safety warning, caution signs and decals provided with the equipment are in place and clearly visible.

Visually inspect the unit before each start up. Check for loose or missing parts and any damage that may have occurred during moving or shipping.

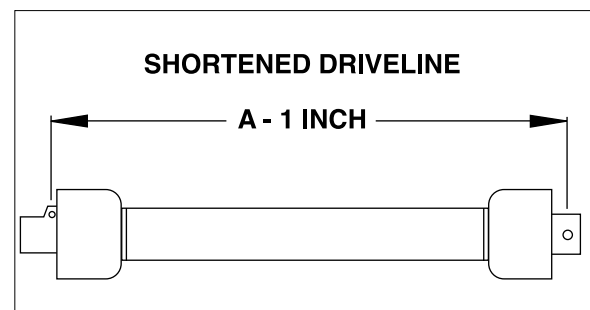
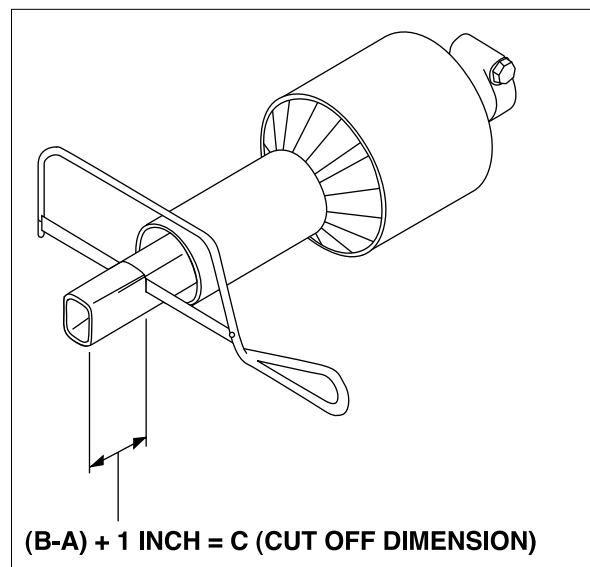
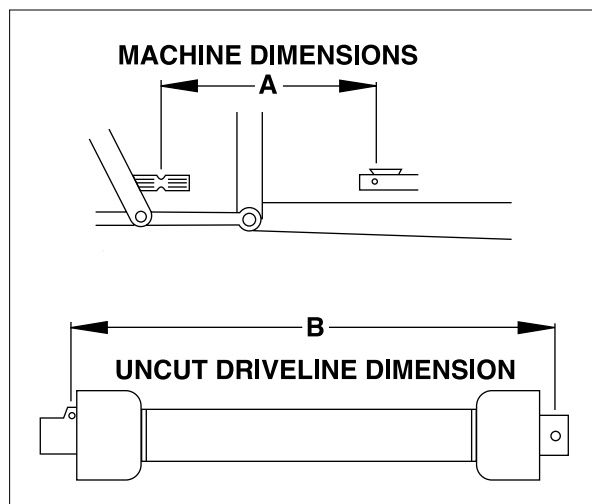
Review all tractor pre-start instructions, and be sure that all recommended steps and procedures have been followed.

Note: Always keep the weight of the machine in mind. Never position body in line of impact.

4.2 Driveshaft Dimension

It is very important that the driveshaft be free to telescope, but not to bottom out when going through its working range. If the driveshaft bottoms out, the bearings on both the machine and tractor PTO shaft will be overloaded and fail in a short time.

1. To determine the proper length of the driveshaft, follow this procedure:
 - a. Clear the area of all bystanders.
 - b. Attach tree saw to tractor (see section 4.5) but do not attach driveshaft.
 - c. Raise tree saw until the input shaft is level with tractor PTO shaft.
 - d. Measure dimension between locking grooves on tractor PTO shaft and machine input shaft.
 - e. Measure the same dimensions on the compressed driveshaft.
 - f. If compressed driveshaft dimension exceeds the machine dimension, driveshaft will have to be cut.
2. When cutting the driveshaft, follow this procedure:
 - a. Subtract machine dimension (A) from uncut driveshaft dimension (B) or (B-A). This dimension determines how much too long the driveshaft is.
 - b. Add another 1 in. (25 mm) to the dimension to be sure it doesn't bottom out, to determine (C) the cut off dimension.
 - c. Cut dimension (C) from both ends. Cut both plastic tubes and metal cores.
 - d. Remove burrs from edges that were cut.
 - e. Assemble the two ends of the shaft.
 - f. Make sure shaft can telescope freely. If it does not, separate the two parts and inspect for burrs or cuttings on shaft ends. Be sure it telescopes freely before installing.



4.3 Pre-Operation

Verify that tree saw is properly attached to tractor.
Verify PTO shaft and shaft cover properly connected.

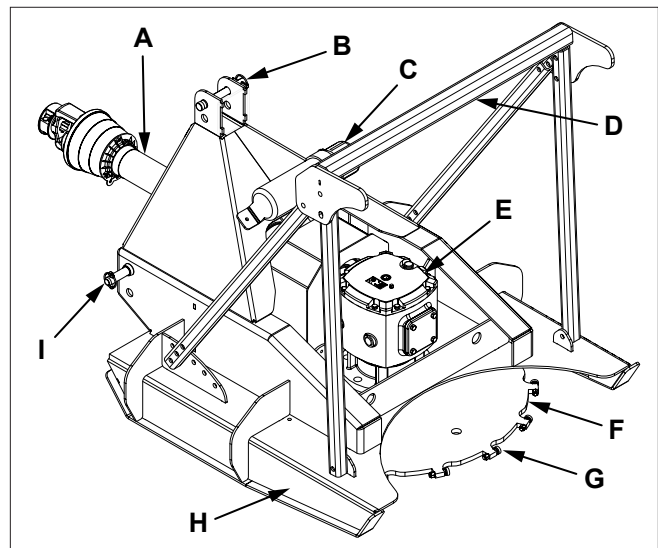
Verify all guards, doors and covers are installed and secured.

Verify cutting teeth are in good condition and are tight.

4.4 Machine Components

Dashed line indicates item hidden from view unless cover is removed.

- A. Driveshaft
- B. 3-Point Top Link
- C. Operators Manual Storage Tube
- D. Push Bar
- E. Gear Box
- F. Cutting Blade
- G. Cutting Teeth
- H. Blade Guard
- I. 3-Point Lift Pins



4.5 Attach Tree Saw



WARNING

To prevent injury or machine damage put transmission in “Park” and check the full range of hitch for interference, binding or PTO separation.

Never position yourself between tractor and brush mulcher.

Only experienced and properly trained operator’s should operate the tractor and brush mulcher.

1. Back up tractor to tree saw with hitch points approximately in alignment.
2. Engage tractor park brake and/or place transmission in “Park”.
3. Shut off engine and remove key.
4. Attach lower links to mulcher and retain using linch pins. To avoid machine damage, verify linch pins are locked on lower links.
5. Align top link with hole in top of frame and retain with pin and linch pin. Verify linch pin is locked on pin.
6. Pull PTO collar back toward the tree saw. Align splines on tractor PTO shaft and driveshaft by rotating driveshaft. Push driveshaft onto PTO shaft until it snaps into place.
7. Pull back on driveshaft to make sure it is locked on shaft.
8. Attach safety shield chain.
9. Adjust top link so that tree saw lower frame is vertical to the ground.

4.6 Detach Tree Saw



WARNING

Prevent serious injury or death caused by unexpected movement:

1. Park tractor on a level surface.
2. Engage tractor park brake.
3. Disengage PTO.
4. Shut off engine and remove key.

1. Park tractor on a level surface.
2. Lower tree saw to the ground.
3. Shut off engine and remove key.
4. Disconnect driveshaft safety chain.
5. Support driveshaft with your hand and pull collar back toward mulcher and slide off shaft.
6. Remove linch pin and pin on top link.
7. Place top link in storage position.
8. Remove linch pins and pins from both lower links.

4.7 Transporting

1. Verify all reflectors and Slow Moving Vehicle (SMV) sign are visible.
2. Raise tree saw slightly off ground.
3. Verify pto is disengaged.
4. Travel at a reasonable and safe speed.



WARNING

Prevent injury from rotating blade.

Disengage pto before transporting tree saw.

4.8 Carbide Teeth Break-In

During the first few hours of use, avoid hitting stones as much as possible to allow the carbide teeth to wear slightly. This can be done by keeping the cutting wheel above ground level. Brand new carbide tips are razor sharp and can chip and shatter easily when they hit hard objects. Once the razor sharpness has worn away, the tips do not chip as easily. Observing these precautions will extend the life of the carbide teeth and reduce operating expenses.

The teeth bolts must be retightened every ten minutes for the first hour of use on a new tree saw.

4.9 First Time User Tips

First, operate all functions in a clear area with throttle at low idle to get a good feel for the controls before you actually move into any brush/trees.

Run throttle at half speed for first time users.

Move the tree saw slowly until you have a better feel how much the unit can take.

If the slip clutch does activate, allow clutch to cool to normal temperature before resuming operation. A hot clutch will never grip.

The machine is equipped with a front push bar to push brush or small trees over. This will allow the tree saw teeth to contact the lower portion of the brush and the blade to cut it off.

Each operator must experiment to find a technique that works for them in their application.

WARNING

Always turn off tractor and disengage pto before getting approaching the blade.

WARNING

Drilling, sawing, sanding or machining wood products can expose you to wood dust, a substance known to the State of California to cause cancer.

Avoid inhaling wood dust or use a dust mask or other safeguards for personal protection. For more information go to www.P65Warnings.ca.gov/wood.

WARNING

Wear an approved dust mask or respirator.

Follow local, state and federal regulations.

4.10 Field Operation

WARNING

Prevent serious injury or death.

1. Park machine on firm, level surface.
2. Engage parking brake.
3. Disengage pto.
4. Shut off engine and remove key.

WARNING

Prevent serious injury or death.

Never operate tree saw when other people are in the vicinity.

Debris can be thrown from cutting area.

Keep all shields in place.

Keep away from moving parts.

WARNING

Drilling, sawing, sanding or machining wood products can expose you to wood dust, a substance known to the State of California to cause cancer.

Avoid inhaling wood dust or use a dust mask or other safeguards for personal protection. For more information go to www.P65Warnings.ca.gov/wood.

WARNING

Wear an approved dust mask or respirator.

Follow local, state and federal regulations.

WARNING

Prevent serious injury or death.

It is recommended that the operating unit be equipped with a forestry guard to protect the operator.

1. Attach tree saw to tractor. See Attach Tree Saw in this section.
2. Set engine speed to low/medium speed and engage PTO.
3. Slowly increase engine speed to high idle. Verify tree saw is operating smoothly.

Position tree saw as needed to obtain the closest cut to trunk or ground.

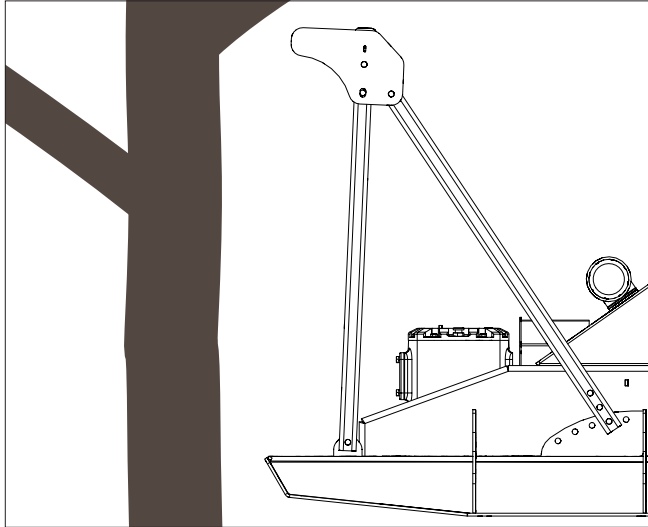
WARNING

Crush hazard.

Only cut trees that are at or less than the maximum height. See maximum tree height list below.

DPH530 - 10 ft (3048 mm)
DPH735 - 12 ft (3658 mm)
DPH532 - 12.5 ft (3810 mm)

Taller trees may fall on operator when cut.



4. Operate tractor to move tree saw blade into brush, shrubs or tree.
5. If blade stalls, stop movement, move tree saw away from brush, trees or shrubs and allow blade to regain speed. Slow ground speed to prevent further stalling.



WARNING

Moving parts can crush and cut.

Keep clear of moving components.

Lockout operating unit before clearing jams.



WARNING

Never approach tree saw before blade has come to a complete stop.

8. When cutting is completed, disengage PTO and allow blade to stop.
9. Lower tree saw to ground and stop tractor engine.

5 SERVICE AND MAINTENANCE

5.1 Maintenance

Maintenance Chart		
General Inspection	Inspect the unit for any buildup of contamination (dirt, stones, etc.).	Daily.
Cutting Teeth	The teeth bolts must be retightened every ten minutes for the first hour of use on a new tree saw.	Every 10 minutes for the first hour, then every 6 hours of use.
Cutting Teeth	Check and replace one at a time as necessary. With daily use expect to replace 4 to 6 teeth per day. See Replace Cutting Teeth in this section.	Every 6 hours.
Gearbox Oil	Change gear box oil. Use 90W gear oil.	Every 2000 hours.

5.2 Inspections



WARNING

Prevent serious injury or death.

1. Park machine on firm, level surface.
2. Engage parking brake.
3. Disengage pto.
4. Shut off engine and remove key.



WARNING

Drilling, sawing, sanding or machining wood products can expose you to wood dust, a substance known to the State of California to cause cancer.

Avoid inhaling wood dust or use a dust mask or other safeguards for personal protection. For more information go to www.P65Warnings.ca.gov/wood.



WARNING

Wear an approved dust mask or respirator.

Follow local, state and federal regulations.

Inspect the unit for any buildup of contamination (dirt, stones, etc.).

Check condition of cutting teeth every 6 hours of use. Replace cutting teeth as needed. Unit will cut faster and remaining teeth will last longer if broken teeth are replaced.

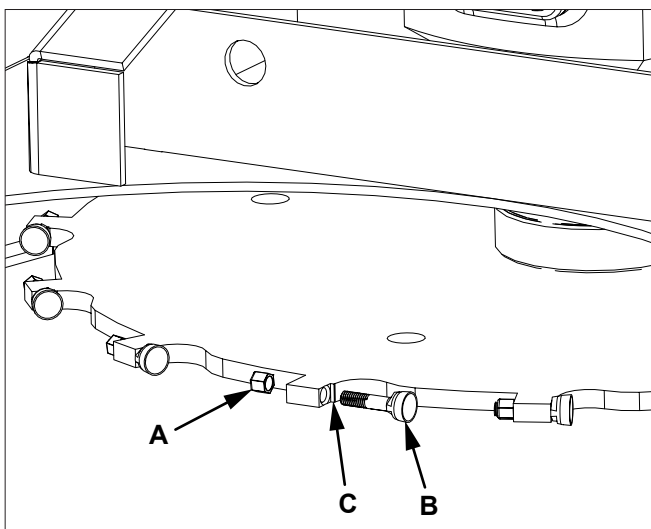
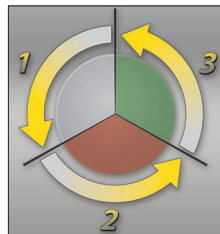
Inspect hydraulic hoses for damage and wear.

5.3 Rotate Cutting Teeth - DPH530 And DPH532

Check condition of cutting teeth every 6 hours of use. Keep cutting teeth in good condition. Unit will cut faster and remaining teeth will last longer if broken or worn teeth are replaced.

Each tooth can be rotated two times from its original position before replacement is necessary.

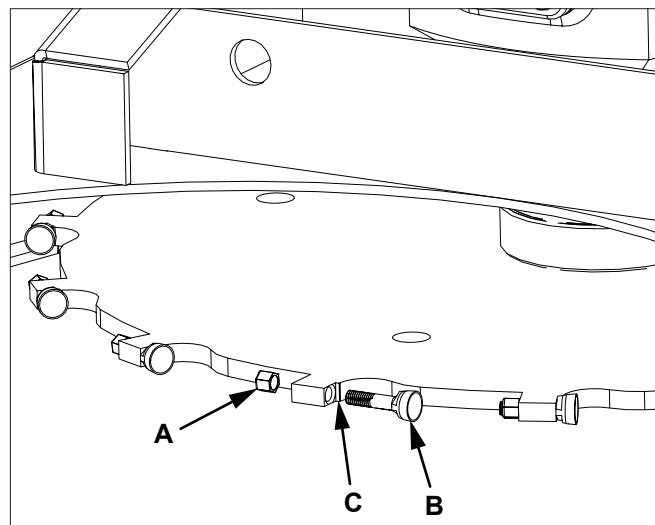
1. Park tree saw on a level surface.
2. Lower blade to the ground.
3. Shut off engine and lockout engine controls.
4. Inspect teeth for wear on outside edge. Once outside edge is worn, rotate tooth so a new edge is on outside (cutting) edge.
5. Loosen locknut (A) on tooth (B) and rotate tooth 1/3 turn. Flat shoulder on tooth will fit against shoulder (C) on tooth holder.
6. Tighten locknut (A) to 65 lb/ft (88 Nm) of torque.



Note: Parts breakdown can be found on Baumalight's website. www.baumalight.com

5.4 Replace Cutting Teeth - DPH530 And DPH532

1. Park tree saw on a level surface.
2. Lower blade to the ground.
3. Shut off engine and lockout engine controls.
4. Inspect cutting teeth (B) for damage and wear. Replace individual teeth as needed.
5. Remove locknut (A) and tooth (B). Install new tooth. Flat shoulder on tooth will fit against shoulder (C) on tooth holder.
6. Install locknut. Tighten locknut (A) to 65 lb/ft (88 Nm) of torque.



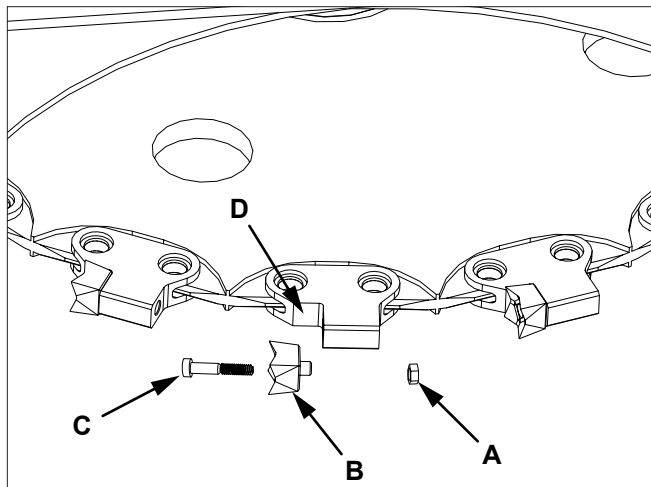
Note: Parts breakdown can be found on Baumalight's website. www.baumalight.com

5.5 Rotate Cutting Teeth - DPH735

Check condition of cutting teeth every 6 hours of use. Keep cutting teeth in good condition. Unit will cut faster and remaining teeth will last longer if broken or worn teeth are replaced.

Each tooth can be rotated one time from its original position before replacement is necessary.

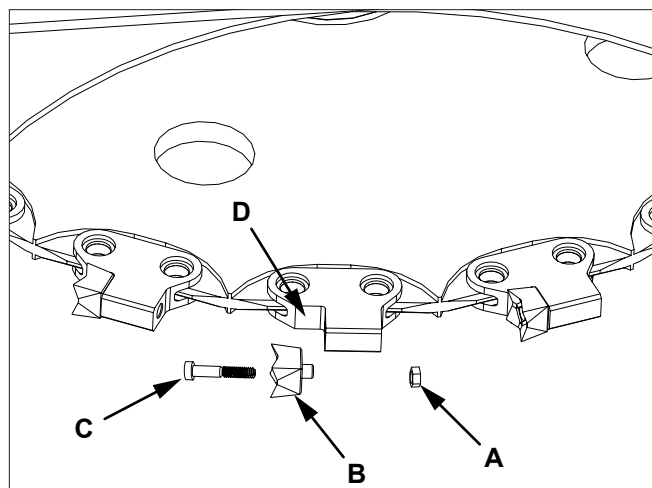
1. Park tree saw on a level surface.
2. Lower blade to the ground.
3. Shut off engine and lockout engine controls.
4. Inspect teeth for wear on outside edge. Once outside cutting edge is worn, rotate tooth 180° so the new edge is on outside.
5. Remove nut (A) and socket head screw (B) on tooth (C) and rotate tooth 180°. Flat shoulder on tooth will fit against shoulder (D) on tooth holder.
6. Install tooth, socket head screw and nut. Tighten nut (A) to 65 lb/ft (88 Nm) of torque.



Note: Parts breakdown can be found on Baumalight's website. www.baumalight.com

5.6 Replace Cutting Teeth - DPH735

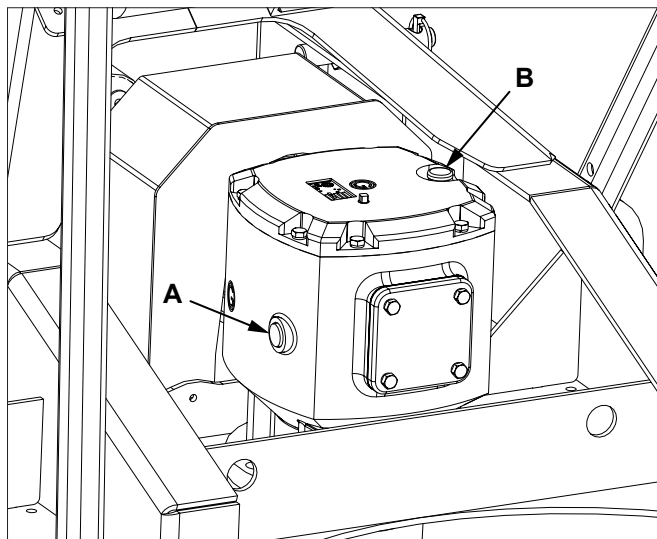
1. Park tree saw on a level surface.
2. Lower blade to the ground.
3. Shut off engine and lockout engine controls.
4. Remove nut (A) and socket head screw (B) on tooth (C). Flat shoulder on tooth will fit against shoulder (D) on tooth holder.
5. Install tooth, socket head screw and nut. Tighten nut (A) to 65 lb/ft (88 Nm) of torque.



Note: Parts breakdown can be found on Baumalight's website. www.baumalight.com

5.7 Check Gearbox Oil Level

1. Park tree saw on a level surface.
2. Lower blade to the ground.
3. Shut off engine and lockout engine controls.
4. Remove plug (A). Gearbox oil should be at the bottom of plug hole.
5. Add 90W gear oil through plug (B) if necessary.
6. Install and tighten plugs.



5.8 Slip Clutch Tension



WARNING

Entanglement in a rotating driveshaft can cause serious injury or death.

Disconnect and lockout power source before adjusting or servicing.



CAUTION

Slip clutch may be hot. Wait for clutch to cool before adjusting or servicing.

Bondioli Driveshafts

4-Disk 120 Hp 1,000 rpm

- OEM Part Number
 - 71R8121UCKR80V6
- Dimension A - 0.236 in. (6 mm)
- Dimension B - 1.12 in. (28.5 mm)

4-Disk 165 Hp 1,000 rpm

- OEM Part Number
 - CSHN086U2R100W8
- Dimension A - 0.275 in. (7 mm)
- Dimension B - 1.14 in. (29 mm)

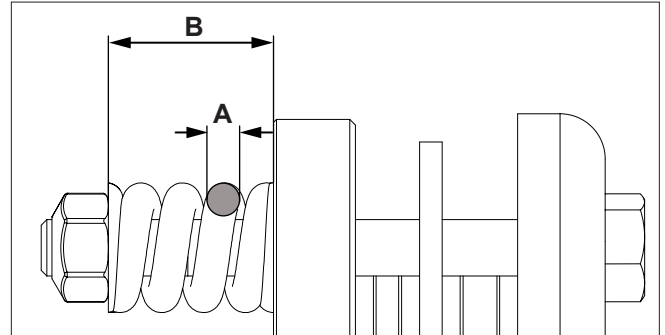
Binacchi Drivehafts

2-Disk 68 Hp 540 rpm

- OEM Part Number
 - B6140EA60255
 - B6N121USA60255
 - B6D121US255001
- Dimension A - 0.236 in. (6 mm)
- Dimension B - 1.1 in. (28 mm)

4-Disk 80 Hp 540 rpm

- OEM Part Number
 - B8N111USA60307
 - B8#140EA60307
- Dimension A - 0.275 in. (7 mm)
- Dimension B - 1.15 in. (29 mm)



6 TROUBLESHOOTING

PROBLEM	CHECK	SOLUTION
Blade does not spin.	Blade jammed.	Remove material from blade.
	Verify PTO driveshaft is connected properly.	Connect driveshaft to tractor.
	Slip clutch is slipping.	Remove material from blade.
Blade rotates slow or sluggish.	Slip clutch is slipping.	<ol style="list-style-type: none"> 1. Check to determine if the slip clutch is hot. Use Caution: Clutch can be very hot! A hot clutch does NOT grip. 2. Slippage on the clutch occurs if there is more power than the unit is rated for. 3. Travel slower to decrease strain on clutch. <p>Be careful when tightening the tension setting on the slip clutch as this could put excess strain on the gear box.</p>
Tractor is not able to lift tree saw.	Tractor is too small.	Use proper size tractor.
Excessive vibration.	Cutting teeth worn or missing.	Replace worn, broken or missing teeth.
	Debris lodged in blade.	Remove debris.

7 STORAGE

7.1 Storing Tree Saw

1. Store tree saw in a dry place.
2. Clean tree saw thoroughly. Dirt and wood chips will draw moisture and cause rust.
3. Check condition of cutting teeth. Replace as necessary. (See Service and Maintenance section.)
4. Check for loose or missing hardware.
5. Paint parts as necessary.

7.2 Removing Tree Saw From Storage

1. Review operator's manual and check adjustments.
2. Check gear box oil level. Add oil as necessary. (See Service and Maintenance section.)
3. If parts have been replaced, verify they run properly.
4. Refer to slip clutch manufacturers manual for startup procedures.

7.2.1 Slip Clutch

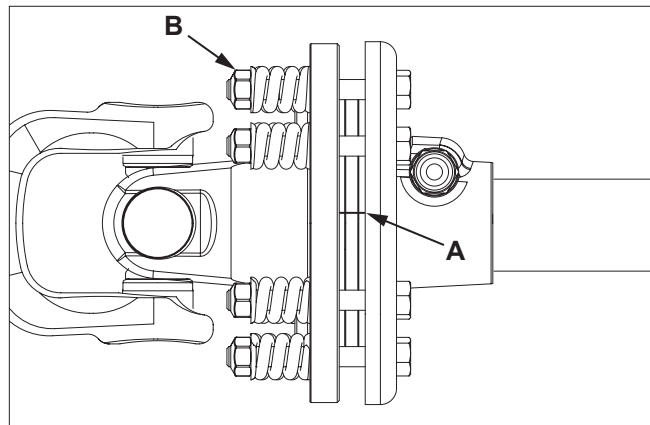


WARNING

Entanglement in a rotating driveshaft can cause serious injury or death.

Disconnect and lockout power source before adjusting or servicing.

1. Disengage tractor PTO. Shut off engine and remove key.
2. Using a marker, scribe a line (A) across the exposed edges of the clutch plate and friction discs.
3. Loosen each compression nuts (B) exactly two revolutions to free clutch friction discs.



4. Start tractor and run driveshaft at a low idle to slip the friction discs. This will remove the dirt, corrosion and surface floss from clutch plate faces.
5. Disengage tractor PTO. Shut off engine and remove key.
6. Inspect the clutch and ensure that the scribed markings on the disc and plates have changed position. If any two marks are still aligned is an indication that these discs have not slipped. Repeat steps 4-5.
7. After ensuring all discs are free, tighten the compression nuts (B) uniformly, exactly two revolutions to resent the clutch to original pressure.

BAUMALIGHT ATTACHMENT WARRANTY

The product is warranted to be free of defects in materials and workmanship under normal use and service, for a period of one year from the date of purchase. This warranty covers parts and labor, but does not cover misuse, negligence, dealer travel time and shipping costs to and from the dealer.

Replacement of individual parts vs. assemblies are at the discretion of the manufacturer.

Warranted replacement parts will be shipped to the customer free of charge via ground shipping. If expedited shipping requested, the customer will be charged the difference between ground shipping and the cost of expedited shipping. Damage in transit is not covered by warranty.

Baumalight products purchased new must be registered for warranty at <https://baumalight.com/support/product-registration>.

Warranty claims must include the original bill of sale. This warranty is extended only to the original purchaser and there is never any warranty on anything sold through auction.

This product must be operated and maintained in accordance with the Operating and Maintenance Instructions supplied with this unit.

Under no circumstances will the manufacturer be liable for any consequential damage or expense of any kind, including loss of profits. The manufacturer is under no circumstances liable for carrier unit damage of any kind. The manufacturer is not liable for the maintenance of the product. Baumalight will not cover time to diagnose and repair compatibility issues between carrier and attachment.

When receiving a shipment from the manufacturer:

1. Compare items received with the carriers bill of lading.
2. Check for damage before signing for the shipment. If damage is found, note damage on carriers bill of lading and photograph the damage.

Warranty repairs may be done by the end user if the end user is willing and capable.

The Manufacturer's Liability is limited to repair of the product and/or replacement of parts and is given to the purchaser in lieu of all other remedies including incidental and consequential charges. There are no warranties, expressed or implied other than those specified herein. For the nearest Authorized Service Center call the manufacturer.

The allowable time for dealers to perform some repairs can be found on our website in the support section under Service And Instruction Videos & Support. If website does not list a time for the repair, dealer must contact the manufacturer before starting the repair to find how much time will be covered for the activity. The manufacturer will only cover up to 1 hour to diagnose and troubleshoot an issue, regardless of the suggestions recommended by the manufacturer to check and verify an issue.

Model Number: _____ S/N: _____

Date of Purchase: _____ Owner's Name _____

Replacement parts sold after the equipment warranty has expired are warranted for a period of 30 days from the date of purchase. Labor, diagnosis and troubleshooting are not covered on replacement parts.

For parts, specifications and the latest machine information please visit our website.

www.baumalight.com

MTB MFG INC.
CORPORATE HEADQUARTERS
4575 Powell Rd.,
Wallenstein, Ontario Canada
N0B 2S0
Phone - 519.698.9864
Toll Free - 866.820.5603
Fax - 519.698.1087
www.baumalight.com

