

# **BAUMALIGHT™**

**DR434, DR438, DR444 And DR448 Tree Spade**

**OPERATOR'S MANUAL**

Issue Date: May 2024



# TABLE OF CONTENTS

<b>1 INTRODUCTION</b> .....	<b>4</b>
1.1 Overview .....	4
1.2 Intended Use And Foreseeable Misuse .....	4
<b>2 SAFETY</b> .....	<b>5</b>
2.1 Safety Alert Symbol And Safety Words .....	5
2.2 Operational Hazards .....	5
Prepare For Emergencies .....	6
Replace Safety Signs .....	6
Do Not Allow Riders .....	6
Lower Operating Speed .....	6
Avoid Rollover .....	7
Avoid Powerlines & Underground Utilities .....	7
Detach Tree Spade Safely .....	7
Hazards From Modifying Equipment .....	8
2.3 Maintenance Hazards .....	9
<b>3 SAFETY SIGNS</b> .....	<b>10</b>
<b>4 OPERATION</b> .....	<b>12</b>
4.1 Preparation For Use .....	12
4.2 Attach Tree Spade .....	12
4.3 Electrical Connections (If Equipped) .....	13
4.3.1 MOVE PINS IN AUX CONNECTOR .....	13
4.4 Machine Components .....	14
4.4.1 WIRELESS CONTROL FUNCTIONS .....	14
4.4.2 WIRED CONTROL FUNCTIONS .....	15
4.4.3 AUX CONTROLS .....	15
4.5 Pre-Operation Check List .....	15
4.6 Transporting .....	16
4.7 Detach Tree Spade .....	16
4.8 First Time User Tips .....	17
4.9 Digging A Tree .....	17
4.9.1 PLANTING A TREE .....	19
4.9.2 BASKETING A TREE .....	19
<b>5 SERVICE AND MAINTENANCE</b> .....	<b>20</b>
5.1 Maintenance .....	20
5.2 Inspections .....	20
5.3 Lubrication .....	20
5.4 Replace Spade Cylinder .....	21
<b>6 WORKING WITH TREES</b> .....	<b>23</b>
6.1 Planting Procedure .....	23
6.2 Care For Your Trees .....	23
<b>7 TROUBLESHOOTING</b> .....	<b>28</b>
<b>8 STORAGE</b> .....	<b>29</b>
8.1 Storing .....	29
8.2 Remove From Storage .....	29
<b>BAUMALIGHT ATTACHMENT WARRANTY</b> .....	<b>30</b>

# 1 INTRODUCTION

## 1.1 Overview

Congratulations on your choice of a Baumalight Tree Spade. This equipment has been designed and manufactured to meet the needs of a discriminating buyer for efficient operation.

Safe, efficient and trouble free operation of your tree spade requires that you and anyone else who will be operating or maintaining the tree spade, read and understand this Operator's Manual.

This manual covers the DR434, DR438, DR444 and DR448 Baumalight Tree Spade. Use the Table of Contents as a guide to locate required information.

Keep this manual handy for frequent reference and to pass on to new operators or owners. Call your Baumalight dealer, distributor or the factory if you need assistance, information or additional copies of the manuals.

When this machine is worn out and no longer in use, it should be returned to the retailer or other party for recycling.

**OPERATOR ORIENTATION** - The directions left, right, front and rear, as mentioned throughout this manual, are as seen from the operator's seat and facing in the direction of travel.

## 1.2 Intended Use And Foreseeable Misuse

The Tree Spade is designed to be used by experienced operators, trained in the safe operation of a skidsteer and trained in the hazards related to using the tree spade and the safe use of the tree spade for the intended purpose. Operators will require personal protective equipment to reduce the risk from some hazards that cannot be completely eliminated or controlled by the design of the tool.

Care is required to ensure that the tree spade will not come across metallic objects, stones or other materials.

The tree spade is not designed for use in hazardous atmospheres where there is a risk of fire or explosion due to flammable gases or vapors. Use in hazardous, explosive atmospheres is prohibited.

Serious injury or death of the operator or bystanders may be caused if the tree spade is misused. Misuse may also cause damage to the machine carrying the implement.

## 2 SAFETY

### 2.1 Safety Alert Symbol And Safety Words

You must read, understand and follow the instructions given by the operating unit manufacturers, as well as the instructions in this manual.

The safety information in this manual is denoted by the safety alert symbol:



This symbol means ATTENTION! BECOME ALERT! YOUR SAFETY IS INVOLVED!

The level of risk is indicated by the following signal words:


 <b>DANGER</b>
<b>DANGER</b> - Indicates a hazardous situation, which, if not avoided, <b>WILL</b> result in death or serious injury.


 <b>WARNING</b>
<b>WARNING</b> - Indicates a hazardous situation, which, if not avoided, could result in death or serious injury.

 <b>CAUTION</b>
<b>CAUTION</b> - Indicates a hazardous situation, which, if not avoided, could result in minor or moderate injury.

<b>NOTICE</b>
<b>NOTICE</b> - Indicates a situation that could result in damage to the equipment or other property.

### 2.2 Operational Hazards

 <b>WARNING</b>
<b>Prevent serious injury or death.</b>
<b>Read and understand this manual before operating the tree spade.</b>
<b>Always stop engine and remove key before leaving operators seat.</b>
<b>Never allow anyone near the tree spade during operation.</b>
<b>Travel at a safe speed.</b>

 <b>WARNING</b>
<b>Prevent serious injury or death from moving parts.</b>
<b>Moving parts can crush and dismember.</b>
<b>Do not operate without guards and shields in place.</b>
<b>Disconnect and lockout power source before adjusting or servicing.</b>

 <b>WARNING</b>
<b>Use tree spade only for the designed applications.</b>
<b>Any other use may result in personal injury, damage to equipment and may void the warranty.</b>



### **WARNING**

**Prevent serious injury or death.**

**Verify tree spade is attached to skid before operation or transport.**



### **WARNING**

**Protect from flying debris.**

**Wear proper safety glasses, goggles, or a face shield to protect from flying debris.**

Carefully read all safety messages in this manual and on equipment safety signs. Keep safety signs in good condition and replace missing or damaged safety signs.

New equipment components and repair parts must include the current safety decal.

Learn how to properly operate equipment. NEVER operate or work around this equipment without proper instruction, while fatigued or under the influence of alcohol, prescription or non-prescription medication or if feeling ill.

Keep your equipment in proper working condition. Know the regulations and laws that apply to you and your industry. This manual is not to replace any regulations or laws. Additional information may be found at: [www.asae.org](http://www.asae.org) or [www.osha.gov](http://www.osha.gov). If you do not understand any part of this manual, contact Baumalight at 866-820-5603.

## **Prepare For Emergencies**

- Be prepared in case of emergencies.
- Keep a fire extinguisher and first aid kit close to the machine.
- Keep emergency phone numbers close to your phone.
- Know your address so emergency services can locate you if an emergency arises.

## **Replace Safety Signs**

- Replace missing or damaged safety signs.
- Safety signs are identified in Section 3 of this manual.
- Replacement safety signs are available from your Baumalight dealer.

## **Do Not Allow Riders**

- NEVER lift or carry anyone on the Tree spade.
- NEVER use Tree spade as a work platform.
- NEVER allow passengers on the Tree spade.

## **Lower Operating Speed**

- Keep tree spade low and move at slow speeds on rough or uneven terrain.

## Avoid Rollover

The equipment may rollover, resulting in death or serious injury. To help prevent rollover:

- Travel at a slow speed.
- Avoid sharp turns & sudden movement on slopes.
- Carry tree spade close to the ground.
- Avoid holes, ditches and other obstructions which may cause equipment to rollover.
- Use caution when operating on slopes and do not operate on excessively steep slopes.
- Do not exceed load capacity of equipment.

## Avoid Powerlines & Underground Utilities

### **DANGER**

**Prevent electrocution and/or explosion.**

**Death or serious injury can result if equipment comes near or contacts power lines.**

**Electrocution can occur without direct contact.**

**Contacting a gas line may result in an explosion.**

Have underground utilities located before digging. In the US or Canada, call 811 (US) or 888-258-0808 (US and Canada). Also contact any local utilities that do not participate in the One-Call service. In countries that do not have a One-Call service, contact all local utility companies to have underground utilities located.

Check clearance before raising equipment.

DO NOT leave the operator's seat if any part of the equipment contacts electric lines or cables.

## Detach Tree Spade Safely

Detach tree spade on a firm and level surface. Tree spade may fall over if detached on sloping or soft surface. Be sure people, livestock and pets are clear of machinery.

Relieve hydraulic pressure before disconnecting hydraulic hoses. See your skidsteer Operator's Manual.

## Raised Attachment

### **WARNING**

**Crushing hazard.**

**Raised, unsupported tree spade can fall, resulting in death or serious injury.**

**Never enter the area under a raised tree spade.**

A raised tree spade can lower unexpectedly, resulting in death or serious injury.

NEVER enter area under a raised tree spade.

Lower tree spade to ground, engage parking brake, shut off engine and remove key before servicing.

## Avoid Loud Noise

 **WARNING**

Prolonged exposure to loud noise can cause impairment or loss of hearing.

Wear a suitable hearing protective device such as earmuffs or earplugs to protect against objectionable or uncomfortable loud noises.

## Hazards From Modifying Equipment

Do not make any alterations to your tree spade. Altering the equipment may cause unsafe conditions and may void the manufacturer's warranty.

## Avoid High Pressure Fluids

 **WARNING**

Pressurized fluids can penetrate the skin.

Hydraulic hoses can fail from age, damage and exposure.

Use body and face protection while searching for leaks. A tiny, almost invisible leak can penetrate the skin, thereby requiring immediate medical attention.

**Use wood or cardboard to detect hydraulic leaks, never use your hands.**

Escaping fluid under pressure can penetrate the skin causing serious injury.

Prevent the hazard by relieving pressure (See Skidsteer Operator's Manual) before connecting or disconnecting hydraulic hoses. Verify all connections are tight before applying pressure.

Search for leaks with a piece of cardboard or wood. Protect hands and body from high pressure fluids. If an accident occurs, see a doctor immediately. Any fluid injected into the skin must be surgically removed within a few hours or serious infection may result.




## 2.3 Maintenance Hazards


Before servicing, park machine on a firm and level surface, remove key, set parking brake and place a “Do Not Operate” tag on control panel. Read and understand this manual. If you do not understand any part of the manual, contact Baumalight at 866-820-5603.


Always wear face and/or eye protection, safety shoes, and other protective equipment appropriate for the job.

Do not make unauthorized modifications. Contact Baumalight at 866-820-5603 before you weld, cut/drill holes, or make any other modifications.

Always use Baumalight replacement parts.

 <b>WARNING</b>
<b>Moving parts can crush and cut.</b>
<b>Keep clear of moving components.</b>
<b>Follow lockout procedure before servicing.</b>

 <b>WARNING</b>
<b>Entanglement hazard.</b>
<b>Keep clear of moving components.</b>
<b>Wear proper protective equipment appropriate for the job.</b>

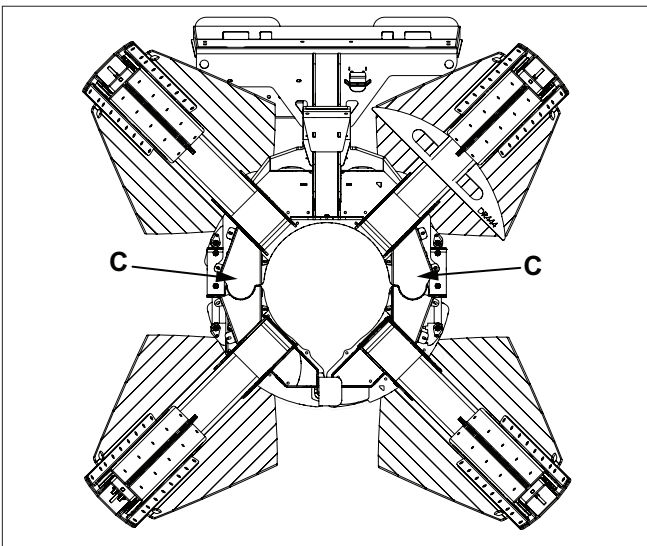
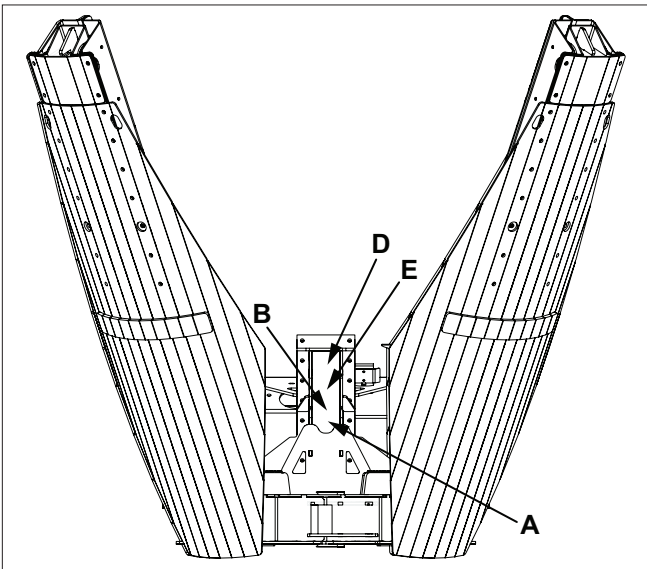
 <b>WARNING</b>
<b>Crushing hazard.</b>
<b>Before performing inspections, service or maintenance:</b>
<ul style="list-style-type: none"><li>• <b>Park machine on firm, level surface.</b></li><li>• <b>Engage parking brake.</b></li><li>• <b>Turn engine off and remove key.</b></li><li>• <b>Place “Do Not Operate” tag on control panel.</b></li></ul>


 <b>WARNING</b>
<b>Burn hazard.</b>
<b>Hot and high pressure hydraulic oil.</b>
<b>Allow oil to cool before servicing.</b>


### 3 SAFETY SIGNS

The two and four panel safety decals are pictorial and have a yellow background. The panel with a triangle indicates the potential hazard. The panel without a triangle indicates how to avoid the hazard.


If any of the decals are missing, are damaged, or if you do not understand the decal, please contact your dealer.



A. D005262  WARNING - P65 warning information.

 **WARNING:** This product can expose you to chemicals including 1,3-Butadiene and lead, which are known to the state of California to cause cancer and birth defects or other reproductive harm. For more information go to [www.P65Warnings.ca.gov](http://www.P65Warnings.ca.gov).

D005262

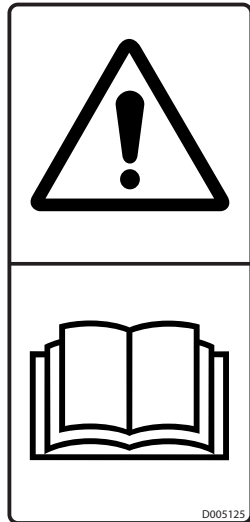
B. D005126  WARNING - Pressurized fluid hazard. Pressurized fluids can penetrate the skin. Do not check for leaks with your hands. Keep back a safe distance when pressurized.



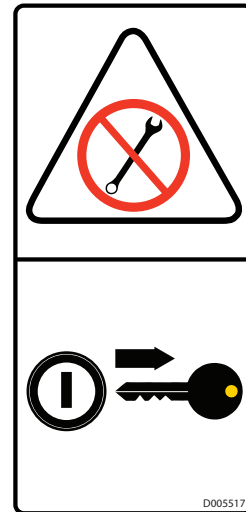
C. D005127 ⚠ WARNING - Pinch hazard. Keep back while machine is operating.



D. D005125 ⚠ WARNING - Read and understand safety signs on the machine and operating instructions in this manual before operating machine.










E. D005517 ⚠ WARNING - Remove key before servicing.



# 4 OPERATION

## 4.1 Preparation For Use

-  Keep bystanders, livestock, pets, etc away from work area.
-  Always wear protective equipment appropriate for the job.
-  Do not operate, work on or around this machine while under the influence of alcohol, drugs or if feeling ill.
-  Keep clear of moving machinery at all times.
-  Stop skid steer engine before leaving operators area.
-  It is your responsibility to operate this equipment safely. You must be familiar with the equipment and all safety practices before use.
-  Do not allow untrained or unqualified people to operate this equipment.

## 4.2 Attach Tree Spade

**Note:** Use this procedure to connect to skidsteer after the initial setup has been performed.

1. Read and follow all safety instructions.
2. Attach tree spade to skidsteer. See Operator's Manual.
3. Connect hydraulic hoses. Verify hydraulic hoses are clear of pinch areas and moving parts.
4. Move to a clear open area to test functions.



### WARNING

**Prevent serious injury.**

**Verify bystanders are away and operator is in a safe area to avoid pinching/crushing.**

**Spade may move erratically due to air in the hydraulic system.**



### WARNING

**Pressurized fluids can penetrate the skin.**

**Use body and face protection while searching for leaks. A tiny, almost invisible leak can penetrate the skin, thereby requiring immediate medical attention.**

**Use wood or cardboard to detect hydraulic leaks, never use your hands.**

5. Start skid steer and operate all functions to fill cylinders with oil. Spade may function erratically until all air is purged from hydraulic system.

6. Check operation and verify there are no leaks.
7. Stop skid steer engine and check hydraulic oil reservoir level. Add hydraulic oil if necessary. Refer to your skid steer operators manual for hydraulic oil specification.

## 4.3 Electrical Connections (If Equipped)

1. Connect electrical harness to connector on tree spade.

### 4.3.1 MOVE PINS IN AUX CONNECTOR

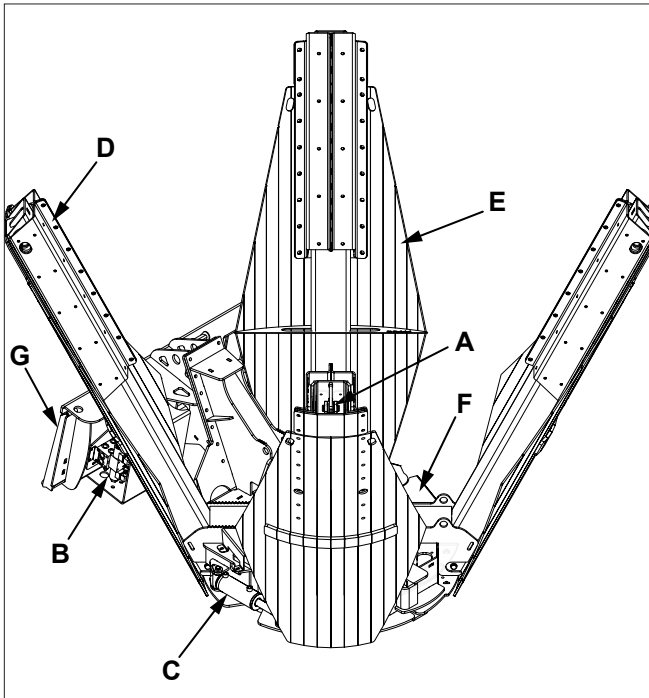
Pins in the Aux connector may need to be moved to be compatible with skid steer connector.

**Note:** A schematic for the tree spade is available at [baumalight.com/support](http://baumalight.com/support).

**Note:** A video describing how to move pins is available at [baumalight.com/support](http://baumalight.com/support).

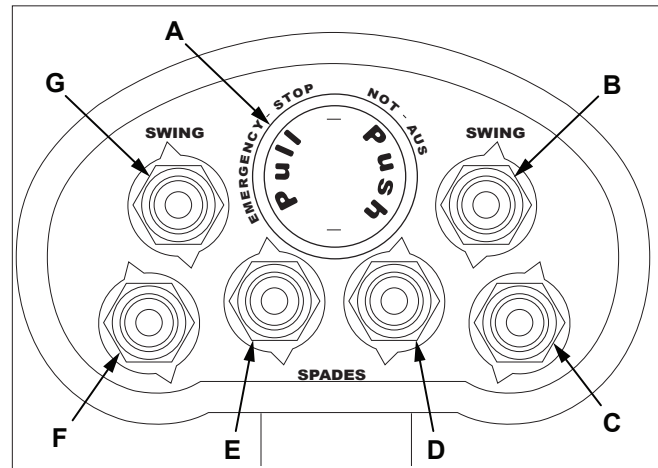
1. Insert removal tool around wire and pull pin/wire out.
2. Insert pin/wire into chosen hole, push in until you hear a click locking it into place.

## 4.4 Machine Components



- A. Blade Hydraulic Cylinder
- B. Valve Bank
- C. Hinge Cylinder
- D. Blade Tower
- E. Blade
- F. Hose Shield Cover
- G. Attachment Plate

### 4.4.1 WIRELESS CONTROL FUNCTIONS



- A. Emergency Stop
- B. Right Side Swing
- C. Front Right Spade
- D. Rear Right Spade
- E. Rear Left Spade
- F. Front Left Spade
- G. Left Side Swing

#### 4.4.2 WIRED CONTROL FUNCTIONS



- A. Front Left Spade
- B. Front Right Spade
- C. Left Side Swing
- D. Right Side Swing
- E. Rear Left Spade
- F. Rear Right Spade

#### 4.4.3 AUX CONTROLS

1. Engage flow one way or the other so first blade lowers.
2. Press and hold function buttons with flow engaged to bring down other blades.
3. Blades can be brought up and down by shuttling the flow back and forth while holding the function button. Some skidsteers have pedals for flow.
4. Swing is also controlled the same way. If you have a Cat skidsteer, press the Aux 7 button in order to operate the left swing with the left trigger.

#### 4.5 Pre-Operation Check List

- Verify that tree spade is properly attached to skidsteer.
- Verify that hydraulic hoses and electrical cable (if equipped) are properly connected.
- It is operators responsibility to perform the following checks prior to operation of equipment.
  - Review and understand this manual and operating unit manual.
  - Verify safety decals are installed and legible. Replace if damaged or missing.
  - Verify that all hardware is tight.
  - Inspect hoses and fittings for wear, damage and leaks. Replace damaged or leaking hoses before use.
  - Verify that local utilities have marked all underground wires, cables and pipelines.
  - Refer to operating unit operator's manual for prestarting instructions.

## 4.6 Transporting

1. Verify all reflectors and Slow Moving Vehicle (SMV) sign are visible.
2. Raise tree spade slightly off ground.
3. Verify hydraulics are disengaged.
4. Travel at a reasonable and safe speed.

## 4.7 Detach Tree Spade



### **WARNING**

**Prevent serious injury or death.**

- 1. Park machine on firm, level surface.**
- 2. Engage parking brake.**
- 3. Disconnect hydraulic drive.**
- 4. Shut off engine and remove key.**

1. Park on a level surface.
2. Lower tree spade to the ground.
3. Shut off engine and remove key.
4. Disconnect hydraulic hoses and electrical harness (if equipped).
5. Detach tree spade from skidsteer. See Operator's Manual.



## 4.8 First Time User Tips

- First, operate all functions in a clear area with throttle at low idle to get a good feel for the controls.
- Move the tree spade slowly until you have a better feel how much the unit can take.
- Each operator must experiment to find a technique that works for them in their application.



### WARNING

**Always shut off engine before getting off the seat.**

## 4.9 Digging A Tree



### DANGER

**Prevent electrocution and/or explosion.**

**Death or serious injury can result if equipment comes near or contacts power lines.**

**Electrocution can occur without direct contact.**

**Contacting a gas line may result in an explosion.**

Have underground utilities located before digging. In the US or Canada, call 811 (US) or 888-258-0808 (US and Canada). Also contact any local utilities that do not participate in the One-Call service. In countries that do not have a One-Call service, contact all local utility companies to have underground utilities located.



### WARNING

**Prevent serious injury or death.**

1. **Park machine on firm, level surface.**
2. **Engage parking brake.**
3. **Disconnect hydraulic drive.**
4. **Shut off engine and remove key.**



### WARNING

**Moving parts can crush and cut.**

**Keep clear of moving components.**

## NOTICE

**Prevent equipment damage.**

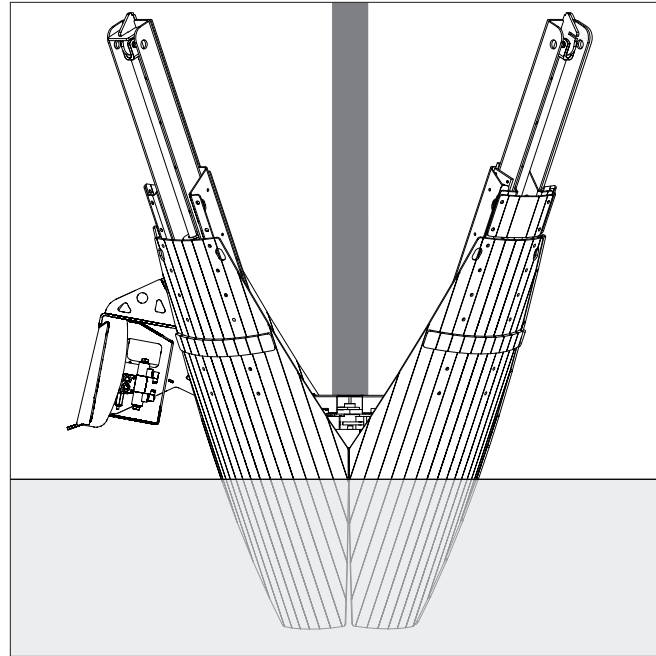
**Never open or close swing hinge with spades extended.**

**Never operate spades with swing hinge open.**

1. Attach skid steer to tree spade. See Attach Tree Spade in this section.
2. Position tree spade close to ground.
3. Unlatch swing hinges and open.
  - a. Close right swing completely.
  - b. Open left swing.
  - c. Open right swing.
4. Position tree spade so tree is in center of base.
5. Close swing hinges and latch.
  - a. Close right swing completely.
  - b. Close left swing.
  - c. Open right swing slightly to latch.
6. Lower tree spade to ground. Spade should be level and straight with tree.

It is important to keep tree spade from lifting off ground during digging process. In hard soil, slightly retract spades after every downward push to keep tree spade flat on the ground.

7. Extend rear left spade. Slightly retract as needed to keep frame flat on the ground.
8. Extend rear right spade and front middle spade one at a time. Slightly retract as needed to keep frame flat on the ground.
9. Extend each spade individually until all spades have reached full depth.



10. Lift tree out of ground and tilt tree spade back.
11. Move away from hole.



## WARNING

**Moving parts can crush and cut.**

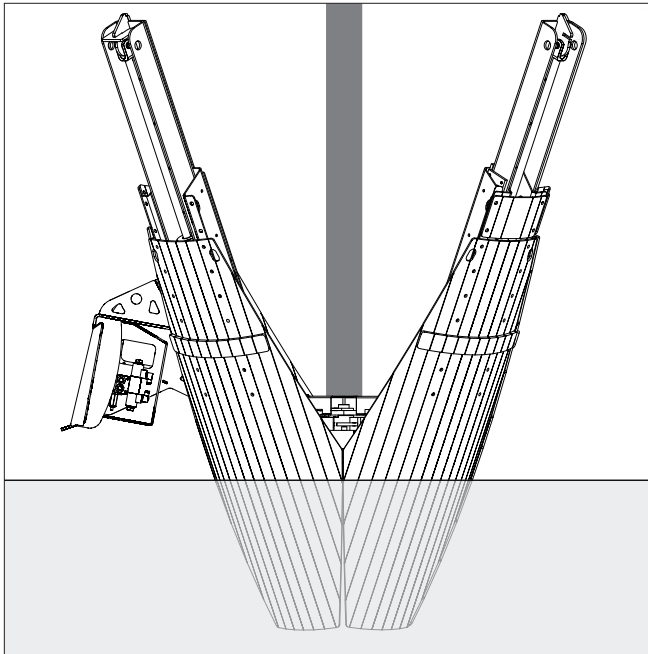
**Keep clear of moving components.**

**Lockout operating unit before leaving operators seat.**

12. Lower tree spade to ground, set parking brake, stop engine and remove key.
13. Cut any protruding roots.

#### 4.9.1 PLANTING A TREE

1. Position tree above hole.
2. Tilt and lower the tree spade so that the tree fits into the hole.



3. Retract spades.
4. Raise tree spade off ground a few inches.
5. Unlatch swing hinges and open.
  - a. Close right swing completely.
  - b. Open left swing.
  - c. Open right swing.
4. Back away from the tree.

#### 4.9.2 BASKETING A TREE

It is recommended that you basket the tree in the hole it was removed from. The tree will be more stable in a hole in a basket than sitting on top of the ground.

Most baskets are flat on the bottom. To get a flat cone, you can slightly retract each spade. You must remove the dirt tip. This will make the root ball fit the basket.

# 5 SERVICE AND MAINTENANCE

## 5.1 Maintenance

### WARNING

Moving parts can crush and cut.

Keep clear of moving components.

Lockout operating unit before performing inspections or maintenance.

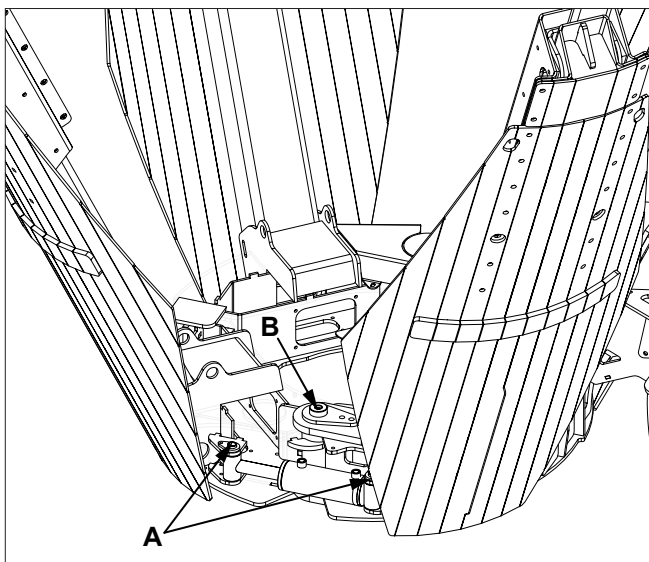
## 5.2 Inspections

Check hydraulic hoses and fittings daily for leaks. Replace hose if worn or damaged.

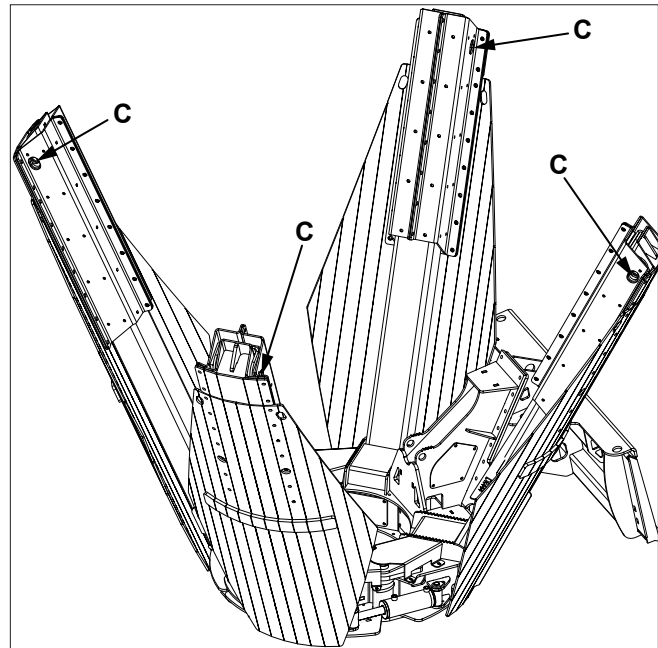
Inspect the unit for any damage. Repair or replace parts as needed.

## 5.3 Lubrication

1. Lower tree spade to ground.
2. Set parking brake, stop engine and remove key.
3. **Every 16 Hours** - Pump grease into grease fittings on each end of swing cylinders (A), swing pivots (B) and rod end of spade cylinders.



4. **Every 100 Hours** - Pump grease into grease fittings on top end of spade cylinders (C).



## 5.4 Replace Spade Cylinder

1. Lower tree spade to ground.
2. Set parking brake, stop engine and remove key.
3. Relieve hydraulic system pressure.



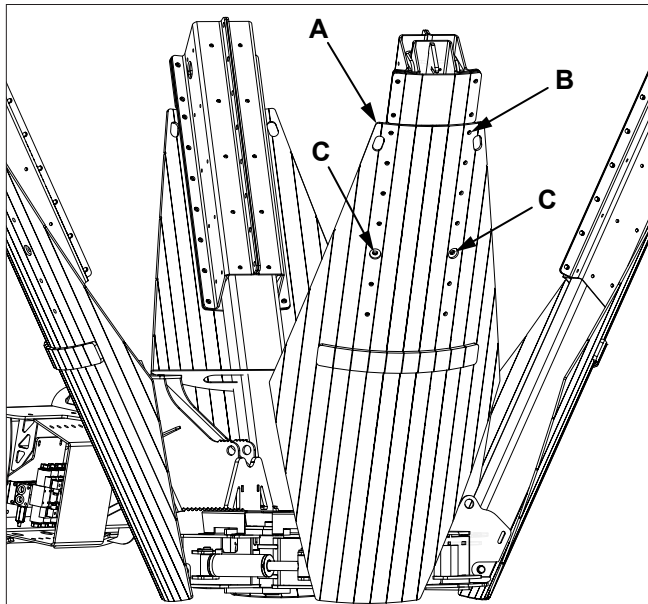
### WARNING

Prevent death or serious injury.

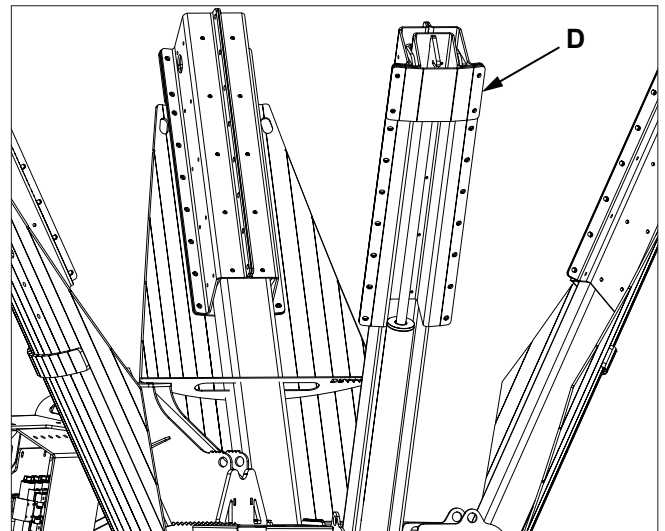
Spade (A) weight is approximately 100 lbs (45 kg).

Use an adequate lifting device and a safe handling procedure to remove and install spade.

4. Connect an adequate lifting device to appropriate spade (A).
5. Remove twelve bolts (B) securing spade. Do not remove bolts (C). Remove spade.



6. Remove plate (D).



### WARNING

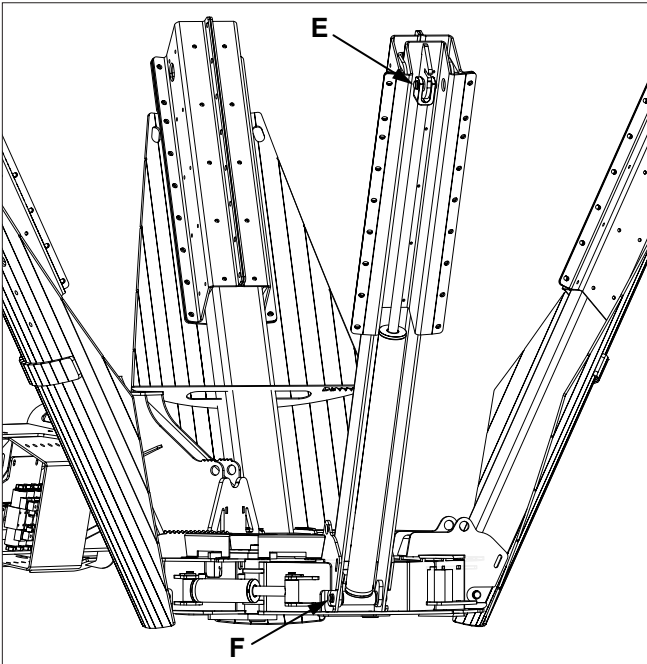
Prevent death or serious injury.

Cylinder weight is approximately 45 lbs (20 kg).

Use an adequate lifting device and a safe handling procedure to remove and install cylinder.

7. Connect an adequate lifting device to spade cylinder.
8. Disconnect hydraulic lines to cylinder.

9. Remove upper pin (E) and lower pin (F).
10. Carefully remove cylinder.



11. Install cylinder, lower pin (F) and upper pin (E).
12. Connect hydraulic lines to cylinder.
13. Install plate (D).
14. Install spade (A) and bolts (B).
15. Test operation and verify there are no leaks.

# 6 WORKING WITH TREES

Spade size and the amount of water available for your landscape should reflect your choice of tree size. An average root system will be about the same size below ground as the branches are above ground.

If no care is planned for the planted trees the root ball should not be bigger than the size of the spade; if some care is planned for the tree cutting 25% of the roots still leaves a 90% survival rate and cutting 50% of the roots also leaves a 90% survival rate if very good care is planned.

If you live in a dry environment you need to provide more water to ensure fast growth. Fast growing trees will have a better survival rate than slow growing trees.

Selection of trees also depends on the desired effect and the purpose trees will satisfy in the landscape.

- Will they attract birds to the area?
- Shade a patio?
- Screen an unsightly view?
- Enhance the view of the home?
- Identify an entrance or exit?

Trees should provide contrast and relief from surrounding buildings and create seasonal interest in areas near the home.

## 6.1 Planting Procedure

Transplanting is not successful until the tree returns to a normal growth rate. This transplant recovery period normally takes three years, but may range from two to eight years. To get the most satisfactory performance from trees, attention must be given to planting details. Using quality plants and following good cultural practices such as watering, pruning, and fertilizing will not compensate for poor planting techniques or poor plant selection.

Try to position spade at same angle (right/left) when digging and planting so the flats on the blades match, this will leave less air space under the root ball.

When lowering the first trees take a close look or have someone with you to insure root ball is well centered because if it is released off center the root ball will drop and tilt and it could damage the tree roots (it is easy to get a feel for it after planting a number of trees).

Raise blades one inch each until the root ball seems loose then extract each blade completely, if the tree is leaning raise the blade that trunk is leaning towards first, this will spin it up a little. If you are transplanting without baskets do not try to twist, spin, or move the root ball; just leave it and within a week try staking the tree if it is tilted.

Use water to settle the soil around the root ball.

Mulch two to four inches deep with woodchips, bark mulch, or other suitable mulch.

Trees should be pruned to remove broken, damaged, or dead branches.

## 6.2 Care For Your Trees

You should consider each of the following as important in caring for your trees:

- Fertilizer
- Mulching
- Watering
- Pruning
- Staking and guying
- Tree wraps

### 6.2.1 Fertilizing

Fertilizing generally is not necessary until the tree begins recovering from the shock of transplanting and establishes itself in its new home. This usually takes at least one year in non-tropical areas. In tropical and sub-tropical areas, this can take less than a year to occur. In some circumstances, the tree care company may recommend fertilizing a recently planted tree.

### 6.2.2 Mulching

Mulching is very important for several reasons. Functionally, mulches discourage weeds from growing, conserve moisture during drought periods, and allow better use of water by controlling runoff and increasing water-holding capacity of light, sandy soils. Mulch also helps maintain a uniform soil temperature.

A 3-4 inch layer of mulch can add to the aesthetic value of a garden while protecting the base of trees from being injured by equipment, such as lawn mowers. Mulch rings also decrease competition from lawn grass. Lawn grass, especially when lush, robs trees of valuable nutrients and moisture.

Trees often are wounded by careless use of yard equipment like lawn mowers, weed whips, and other trimming equipment. These injuries cut through important vascular tissue just inside the bark, which can lead to decay and ultimately death of the tree. A bed of mulch around the tree eliminates the need to trim or mow close to the tree's base. Extreme care should be taken when digging up or tilling the soil under a tree. Many large and small roots will be cut by such digging, especially if it occurs close to the trunk.

### 6.2.3 When To Apply

Mulch can be applied just about any time of the year when trees and shrubs are being planted. The best time, however, to apply mulch in established bed areas would be in mid spring when the soil temperature has warmed up enough for sufficient root growth. If applied earlier, the mulch will keep the soil temperature lower and root growth could be delayed.

### 6.2.4 How To Apply

It should be applied 2 to 3 or 4 inches in depth over relatively clean, weed-free soils. Do not pile mulch more than 4 inches. Identify and eradicate the weeds before the mulch is applied. Keep mulch pulled 12 inches back from the tree trunk.

### 6.2.5 Types Of Mulch

Most arborists consider organic mulches as the most compatible with trees. Many organic materials can be used as mulch. Bark mulches and wood chips are the two most commonly used mulches in most of the country. In the south, pine needles are included in that list.

There are several inorganic materials used as mulches. These include weed barriers such as plastic that is sometimes used to discourage weeds; however, plastic interferes with the normal oxygen and water supply to the tree's roots. When the plastic is used, a very shallow root system is created and during drought periods the plants may not withstand the stress.

It is recommended not to use black plastic around trees. There are several landscape fabric "mulches" available that will function the same as plastic, but allow for normal water and oxygen exchange. These materials, sometimes called geotextiles or weed barriers, are placed on bare soil around trees and shrubs with mulches used on



top. There are many brands and types of materials from which to choose. They have proven to be beneficial in discouraging weeds and conserving soil moisture.

### **6.2.6 Watering**

Moisture is critical to trees, but too much moisture can cause serious damage. The amount of water to apply depends on the tree and when it was planted.

### **6.2.7 Selecting The Proper Plant**

Selecting the proper plant is very important for dry, desert-like climates to avoid heavy watering requirements. It is usually recommended to choose plants that are suited for dry conditions; this type of landscaping is called xerophytic.

### **6.2.8 Watering Newly Planted Trees**

Watering should be done at the time of planting to settle the soil and to assure adequate soil moisture. The first watering is normally done by the planting crew soon after planting. After the first watering, adequate water must be provided by the property owner unless there has been sufficient rain to keep the soil moist. The critical months for watering are May through September (this period of time may be extended in warm climates).

### **6.2.9 Watering After Planting**

Most trees need to be watered for two to three years after transplanting to provide adequate soil moisture while root systems are becoming established. In the past it was recommended that a “saucer” be formed around the soil ball to make a water-holding reservoir. Recent studies have shown that this practice actually encourages roots to stay in the area of the soil ball instead of growing into the surrounding soil. This can increase the

time it takes for the tree to get established in the landscape. It is now recommended that the root ball and surrounding area of a newly transplanted tree be watered.

To determine the level of moisture, remove a small amount of soil at the edge of the ball with a hand trowel and squeeze it. If you can form a moist sticky ball, it is too wet. If it crumbles like chalk, it is too dry. You must provide enough water to keep at least the top 4 inches of soil moist. The exact amount of water needed will vary.

A 3 inch diameter tree moved by a tree spade may require 60 to 80 gallons of water every 10 days if rain does not occur.

Distributed soils are frequently high in clay subsoil and tend to drain poorly. If these conditions exist, watering for a prolonged period of time may result in over watering and cause the roots to drown from lack of adequate soil aeration. Adding large quantities of water too frequently to heavy clay soils is detrimental and will result in death of the tree. Conversely, waiting until the tree wilts and the leaves start to turn brown is too late to water.

### **6.2.10 Watering Established Trees**

Large trees can be watered with lawn sprinklers. Apply water at rate of 1 inch per watering, 2 inches if there is vigorous lawn grass near and under the tree. Water at a rate low enough to keep water from running off. Do not water daily; this can damage your tree by suffocating its roots. Instead plan you're watering based on the severity of the drought conditions. Generally anywhere from once every two weeks to once every 4 to 5 days will suffice.

Most tree roots are not very deep (within the upper four to eight inches of soil), and deep roots will receive water if enough is applied to the soil surface. Tree roots can extend away from the

tree at a distance as far as the tree is tall, and in many cases much farther. Therefore, it is usually beneficial to water the entire yard to be certain the tree is watered. You can also alternate the sides of the tree you water, from one watering to the next, making tree watering easier while conserving water.

### 6.2.11 Pruning

Pruning trees, especially when younger, helps promote healthy trees with good branch architecture. Again, think of a tree in its native environment, the forest. There the tree is in stiff competition with other trees. It is forced to grow fast and upright to fill what is usually a very limited space. Trees growing in man-made conditions usually have much more space and less competition. They will spread out to form much broader trees than they would if located in the forest. The branch structure will often be inadequate if the tree is left to develop on its own. These trees can develop hazard limbs that eventually could fail, leading to an early tree death.

Tree Pruning:

- Promotes good branch structure,
- Can correct poor branch structure,
- Reduces potential hazards,
- Improves overall health by removing dead, diseased, and dying branches,
- Gives the arborist a chance to examine the tree more closely than possible from the ground.

### 6.2.12 Newly Planted Trees

Generally, when a young tree is planted, any dead, broken, and split branches should be removed. Once the tree is established (up to one year or more after planting) a central trunk or leader or well-spaced multiple trunks or leaders should be developed by removing competing leaders and heading or thinning vigorously growing branches

that compete with the selected leader(s). Branches should be retained on the lower trunk to increase taper.

It is important to prune young trees in order to develop a strong scaffold branch structure. Pruning of young trees can avoid more expensive problems that could occur if the tree is allowed to grow with branch defects.

### 6.2.13 Limiting The Need For Pruning

Many tree problems, and even maintenance requirements, can be avoided by knowing the growth habit of a specific tree. Find out how fast and how large a tree normally grows. Logic and reason also apply. For example, don't plant a white oak directly beneath utility lines. As the tree grows and interferes with the lines, the tree will be pruned. This could destroy the natural character of the tree and lead to its early decline and death. Warning: Home owners should limit their tree pruning to small, lightweight branches which can be reached from the ground or they could subject themselves to severe injury and even death. The pruning of large branches and/or working off the ground should be left to professional tree experts with proper equipment.

### 6.2.14 Protecting After Pruning

In the past, part of the standard recommendation was to apply a generous coating of a tree wound dressing to all fresh cuts. It was believed this would prevent decay-causing infection. Research has proven that all of the wound dressings currently available do nothing to prevent decay, and some serve as a food source for microorganisms. They also can hold moisture against the cut wood, promoting the growth of decay-causing microorganisms. A light coating of non-toxic wound dressings can be used for cosmetic purposes.

### **6.2.15 Staking And Guying**

Guys or stakes should only be used when necessary, such as when roots are not solid in the planting hole or where the tree could be dislodged by high winds. Bare-Root and Container Grown trees are more likely to require staking or guying than Balled and Burlapped trees. In most instances, the weight of the root ball is normally sufficient to hold the tree in place, assuming it was properly planted. Research has shown that trees not guyed or staked will actually become established and grow faster than guyed or staked trees. It is best to have guys or stakes professionally installed. Many new products are available to the arborist so that a long lasting tree guy or staking system that does not harm the tree can be installed. Eventually guys and stakes must be removed to prevent damage to the tree.

### **6.2.16 Tree Wraps**

Tree wrap should only be used when necessary. It is usually reserved for thin-barked trees, exposed trees, or trees in danger of rodent and mammal feeding. Consult an arborist to determine if trunk wrap is needed. If you do use trunk wrap, use one made of new, synthetic materials. They generally work better and are designed to avoid girdling the trunk. Always remove tree wraps after the specified time period to avoid damaging the trunk.

## 7 TROUBLESHOOTING

PROBLEM	CHECK	SOLUTION
Spades will not cut into the ground.	Insufficient pressure.	Check hydraulic oil level. Add as needed.
	Hydraulic hoses not connected properly.	Reverse hoses.
	Slides obstructed by dirt.	Clean the slides.
Spade lifts off the ground when extending spades	Started with the spade that is farthest from the operator.	Start with the closest spade first.
	Ground may be too dry.	Wait until the ground is moist.

# 8 STORAGE

## 8.1 Storing

1. Store tree spade in a dry place.
2. Clean tree spade thoroughly. Dirt will draw moisture and cause rust.
3. Check for loose or missing hardware.
4. Paint parts as necessary.

## 8.2 Remove From Storage

1. Review Operator's Manual.
2. If parts have been replaced, verify they operate properly.

# BAUMALIGHT ATTACHMENT WARRANTY

The product is warranted to be free of defects in materials and workmanship under normal use and service, for a period of one year from the date of purchase. This warranty covers parts and labor, but does not cover misuse, negligence, dealer travel time and shipping costs to and from the dealer.

Replacement of individual parts vs. assemblies are at the discretion of the manufacturer.

Warranted replacement parts will be shipped to the customer free of charge via ground shipping. If expedited shipping requested, the customer will be charged the difference between ground shipping and the cost of expedited shipping. Damage in transit is not covered by warranty.

Baumalight products purchased new must be registered for warranty at <https://baumalight.com/support/product-registration>.

Warranty claims must include the original bill of sale. This warranty is extended only to the original purchaser and there is never any warranty on anything sold through auction.

This product must be operated and maintained in accordance with the Operating and Maintenance Instructions supplied with this unit.

Under no circumstances will the manufacturer be liable for any consequential damage or expense of any kind, including loss of profits. The manufacturer is under no circumstances liable for carrier unit damage of any kind. The manufacturer is not liable for the maintenance of the product. Baumalight will not cover time to diagnose and repair compatibility issues between carrier and attachment.

When receiving a shipment from the manufacturer:

1. Compare items received with the carriers bill of lading.
2. Check for damage before signing for the shipment. If damage is found, note damage on carriers bill of lading and photograph the damage.

Warranty repairs may be done by the end user if the end user is willing and capable.

The Manufacturer's Liability is limited to repair of the product and/or replacement of parts and is given to the purchaser in lieu of all other remedies including incidental and consequential charges. There are no warranties, expressed or implied other than those specified herein. For the nearest Authorized Service Center call the manufacturer.

The allowable time for dealers to perform some repairs can be found on our website in the support section under Service And Instruction Videos & Support. If website does not list a time for the repair, dealer must contact the manufacturer before starting the repair to find how much time will be covered for the activity. The manufacturer will only cover up to 1 hour to diagnose and troubleshoot an issue, regardless of the suggestions recommended by the manufacturer to check and verify an issue.

Model Number: \_\_\_\_\_ S/N: \_\_\_\_\_

Date of Purchase: \_\_\_\_\_ Owner's Name \_\_\_\_\_

Replacement parts sold after the equipment warranty has expired are warranted for a period of 30 days from the date of purchase. Labor, diagnosis and troubleshooting are not covered on replacement parts.



For parts, specifications and the latest machine information please visit our website.

[www.baumalight.com](http://www.baumalight.com)

MTB MFG INC.  
CORPORATE HEADQUARTERS  
4575 Powell Rd.,  
Wallenstein, Ontario Canada  
N0B 2S0  
Phone - 519.698.9864  
[www.baumalight.com](http://www.baumalight.com)

