

BAUMALIGHT™

DXH752 Tree Saw

OPERATOR'S MANUAL

Issue Date: February 2024

TABLE OF CONTENTS

1 INTRODUCTION	4
1.1 Overview.....	4
1.2 Intended Use And Foreseeable Misuse	4
2 SAFETY	5
2.1 Safety Alert Symbol And Safety Words	5
2.2 Operational Hazards.....	5
Prepare For Emergencies	6
Replace Safety Signs	6
Do Not Allow Riders	6
Lower Operating Speed	6
Avoid Rollover	7
Avoid Powerlines & Underground Utilities	7
Detach Tree Saw Safely.....	7
Hazards From Modifying Equipment	8
2.3 Maintenance Hazards	9
3 SAFETY DECALS	10
4 OPERATION	12
4.1 Preparation For Use	12
4.1.1 HYDRAULIC CONNECTIONS	12
4.1.2 EXCAVATOR ADAPTER	13
4.2 Pre-Operation Check List	13
4.3 Machine Components	13
4.4 Attach Tree Saw	14
4.5 Initial Startup.....	14
4.6 Detach Tree Saw	15
4.7 Transporting.....	15
4.8 Carbide Teeth Break-In.....	15
4.9 First Time User Tips	16
4.10 Field Operation	16
5 SERVICE AND MAINTENANCE	18
5.1 Maintenance	18
5.2 Inspections.....	18
5.3 Rotate Cutting Teeth.....	19
5.4 Replace Cutting Teeth	19
5.5 Zero Leak Case Drain Relief Valve	20
6 TROUBLESHOOTING	21
7 STORAGE	22
7.1 Storing Tree Saw	22
7.2 Remove Tree Saw From Storage.....	22
BAUMALIGHT ATTACHMENT WARRANTY	23

1 INTRODUCTION

1.1 Overview

Congratulations on your choice of a Baumalight Tree Saw to complement your pruning, trimming and clearing operation. This equipment has been designed and manufactured to meet the needs of a discriminating buyer for efficient clearing of brush, shrubs and trees.

The blade is hydraulic powered by the hydraulic system on your excavator.

Replaceable bearings are provided at major pivot points for extended service life.

Safe, efficient and trouble free operation of your Tree Saw requires that you and anyone else who will be operating or maintaining the Tree Saw, read and understand the Safety, Operation, Maintenance and Troubleshooting information contained within the Operator's Manual.

This manual covers the Baumalight DXH Tree Saw. Use the Table of Contents as a guide to locate required information.

Keep this manual handy for frequent reference and to pass on to new operators or owners. Call your Baumalight dealer, distributor or the factory if you need assistance, information or additional copies of the manuals.

When this machine is worn out and no longer in use, it should be returned to the retailer or other party for recycling.

OPERATOR ORIENTATION - The directions left, right, front and rear, as mentioned throughout this manual, are as seen from the operator's seat and facing in the direction of travel.

1.2 Intended Use And Foreseeable Misuse

The Tree Saw is designed to be used by experienced operators, trained in the safe operation of an excavator and trained in the hazards related to using the tree saw and the safe use of the tree saw for the intended purpose. Operators will require personal protective equipment to reduce the risk from some hazards that cannot be completely eliminated or controlled by the design of the tool.

Care is required to ensure that the tree saw will not come across metallic objects, stones or other materials.

Tree saw is not designed for use in hazardous atmospheres where there is a risk of fire or explosion due to flammable gases or vapors. Use in hazardous, explosive atmospheres is prohibited.

Serious injury or death of the operator or bystanders may be caused if the tree saw is misused. Misuse may also cause damage to the machine carrying the implement.

2 SAFETY

2.1 Safety Alert Symbol And Safety Words


You must read, understand and follow the instructions given by the operating unit manufacturers, as well as the instructions in this manual.

The safety information in this manual is denoted by the safety alert symbol:



This symbol means ATTENTION! BECOME ALERT! YOUR SAFETY IS INVOLVED!

The level of risk is indicated by the following signal words:


 DANGER
DANGER - Indicates a hazardous situation, which, if not avoided, WILL result in death or serious injury.


 WARNING
WARNING - Indicates a hazardous situation, which, if not avoided, could result in death or serious injury.


 CAUTION
CAUTION - Indicates a hazardous situation, which, if not avoided, could result in minor or moderate injury.

NOTICE
NOTICE - Indicates a situation that could result in damage to the equipment or other property.

2.2 Operational Hazards

 WARNING
Prevent serious injury or death.
Read and understand this manual before operating the tree saw.
Always stop engine and remove key before leaving operators seat.
Never allow anyone near the tree saw during operation.
Travel at a safe speed.

 WARNING
Prevent serious injury or death from moving parts.
Moving parts can crush and dismember.
Do not operate without guards and shields in place.
Disconnect and lock out power source before adjusting or servicing.

 WARNING
Use tree saw only for the designed applications.
Any other use may result in personal injury, damage to equipment and may void the warranty.



WARNING

Prevent serious injury or death.

Verify tree saw is attached to excavator before operation or transport.



WARNING

Protect from flying debris.

Wear proper safety glasses, goggles, or a face shield to protect from flying debris.



WARNING

Prevent serious injury or death.

It is recommended that the operating unit be equipped with a forestry guard to protect the operator.

Carefully read all safety messages in this manual and on equipment safety signs. Keep safety signs in good condition and replace missing or damaged safety signs.

New equipment components and repair parts must include the current safety decal.

Learn how to properly operate equipment. NEVER operate or work around this equipment without proper instruction, while fatigued or under the influence of alcohol, prescription or non-prescription medication or if feeling ill.

Keep your equipment in proper working condition.

Know the regulations and laws that apply to you and your industry. This manual is not to replace any regulations or laws. Additional information may be found at: www.asae.org or www.osha.gov.

If you do not understand any part of this manual, contact Baumalight at 866-820-5603.

Prepare For Emergencies

- Be prepared in case of emergencies.
- Keep a fire extinguisher and first aid kit close to the machine.
- Keep emergency phone numbers close to your phone.
- Know your address so emergency services can locate you if an emergency arises.

Replace Safety Signs

- Replace missing or damaged safety signs.
- Safety signs are identified in Section 3 of this manual.
- Replacement safety signs are available from your Baumalight dealer.

Do Not Allow Riders

- NEVER lift or carry anyone on the tree saw.
- NEVER use tree saw as a work platform.
- NEVER allow passengers on the tree saw.

Lower Operating Speed

- Keep tree saw low and move at slow speeds on rough or uneven terrain.

Avoid Rollover

The equipment may rollover, resulting in death or serious injury. To help prevent rollover:

- Travel at a slow speed.
- Avoid sharp turns & sudden movement on slopes.
- Carry tree saw close to the ground.
- Avoid holes, ditches and other obstructions which may cause equipment to rollover.
- Use caution when operating on slopes and do not operate on excessively steep slopes.
- Do not exceed load capacity of equipment.

Avoid Powerlines & Underground Utilities

DANGER

Prevent electrocution.

Death or serious injury can result if equipment comes near or contacts power lines.

Electrocution can occur without direct contact.

DO NOT leave the operator's seat if any part of the equipment contacts electric lines or cables.

Detach Tree Saw Safely

Detach tree saw on a firm and level surface. Tree saw may fall over if detached on sloping or soft surface. Be sure people, livestock and pets are clear of machinery.

Relieve hydraulic pressure before disconnecting hydraulic hoses. See your excavator Operator's Manual.

Raised Attachment

WARNING

Crushing hazard.

Raised, unsupported tree saw can fall, resulting in death or serious injury.

Never enter the area under a raised Tree Saw.

A raised tree saw can lower unexpectedly, resulting in death or serious injury.

NEVER enter area under a raised tree saw.

Lower tree saw to ground, engage parking brake, shut off engine and remove key before servicing.

Avoid Loud Noise

WARNING

Prolonged exposure to loud noise can cause impairment or loss of hearing.

Wear a suitable hearing protective device such as earmuffs or earplugs to protect against objectionable or uncomfortable loud noises.

Hazards From Modifying Equipment

Do not make any alterations to your tree saw. Altering the equipment may cause unsafe conditions and may void the manufacturer's warranty.

Avoid Wood Dust Inhalation

WARNING

Drilling, sawing, sanding or machining wood products can expose you to wood dust, a substance known to the State of California to cause cancer.

Avoid inhaling wood dust or use a dust mask or other safeguards for personal protection. For more information go to www.P65Warnings.ca.gov/wood.

WARNING

Wear an approved dust mask or respirator.

Follow local, state and federal regulations.

Avoid High Pressure Fluids

WARNING

Pressurized fluids can penetrate the skin.

Hydraulic hoses can fail from age, damage and exposure.

Use body and face protection while searching for leaks. A tiny, almost invisible leak can penetrate the skin, thereby requiring immediate medical attention.

Use wood or cardboard to detect hydraulic leaks, never use your hands.

Escaping fluid under pressure can penetrate the skin causing serious injury.

Prevent the hazard by relieving pressure (See Excavator Operator's Manual) before connecting or disconnecting hydraulic lines. Verify all connections are tight before applying pressure.

Search for leaks with a piece of cardboard or wood.

Protect hands and body from high pressure fluids. If an accident occurs, see a doctor immediately. Any fluid injected into the skin must be surgically removed within a few hours or serious infection may result.

2.3 Maintenance Hazards

Before servicing, park machine on a firm and level surface, remove key, set parking brake and place a “Do Not Operate” tag on control panel. Read and understand this manual. If you do not understand any part of the manual, contact Baumalight at 866-820-5603.

Always wear face and/or eye protection, safety shoes, and other protective equipment appropriate for the job.

Do not make unauthorized modifications. Contact Baumalight at 866-820-5603 before you weld, cut/drill holes, or make any other modifications.

Always use Baumalight replacement parts.

WARNING

Moving parts can crush and cut.

Keep clear of moving components.

Follow lockout procedure before servicing.

WARNING

Entanglement hazard.

Keep clear of moving components.

Wear proper protective equipment appropriate for the job.

WARNING

Burn hazard.

Hot and high pressure hydraulic oil.

Allow oil to cool before servicing.

WARNING

Crushing hazard.

Before performing inspections, service or maintenance:

Park machine on firm, level surface.

Engage parking brake.

Turn engine off and remove key.

Place “Do Not Operate” tag on control panel.

WARNING

Drilling, sawing, sanding or machining wood products can expose you to wood dust, a substance known to the State of California to cause cancer.

Avoid inhaling wood dust or use a dust mask or other safeguards for personal protection. For more information go to www.P65Warnings.ca.gov/wood.

WARNING

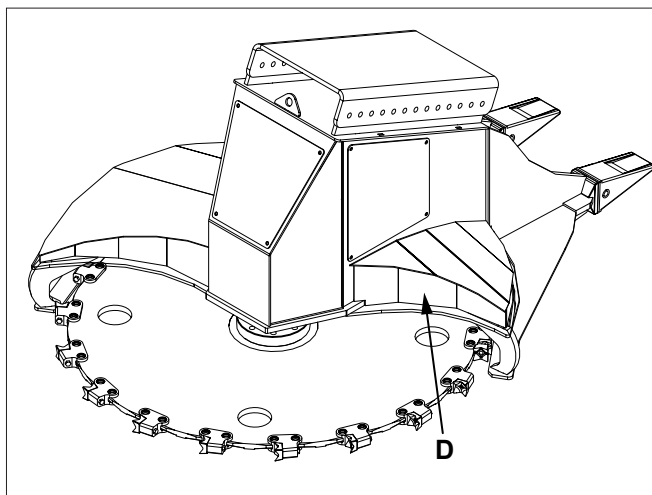
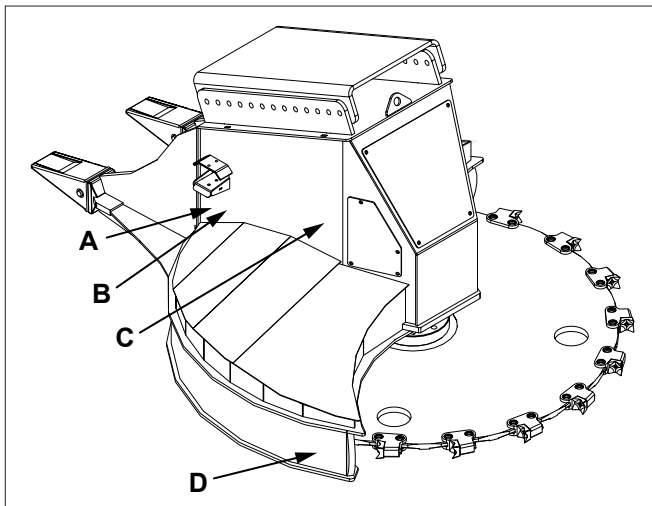
Wear an approved dust mask or respirator.


Follow local, state and federal regulations.

3 SAFETY DECALS

The two and four panel safety decals are pictorial and have a yellow background. The panel with a triangle indicates the potential hazard. The panel without a triangle indicates how to avoid the hazard.


If any of the decals are missing, are damaged, or if you do not understand the decal, please contact your dealer.



A. D005253  **WARNING** - Pressurized fluid hazard. Pressurized fluids can penetrate the skin. Do not check for leaks with your hands. Keep back a safe distance when pressurized.

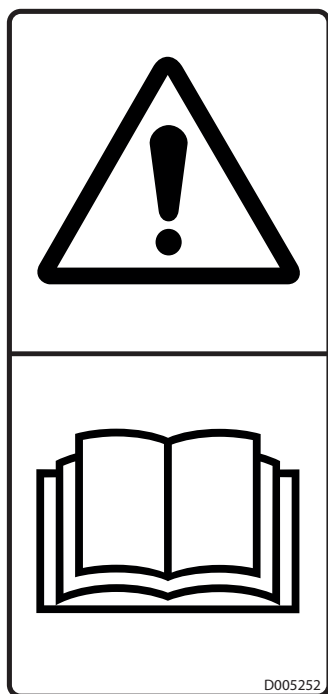


B. D005262  **WARNING** - P65 warning information.

 **WARNING:** This product can expose you to chemicals including 1,3-Butadiene and lead, which are known to the state of California to cause cancer and birth defects or other reproductive harm. For more information go to www.P65Warnings.ca.gov.

D005262

C. D005252 ⚠️ WARNING - Read and understand safety signs on the machine and operating instructions in this manual before operating machine.



D. D005255 ⚠️ WARNING - Rotating blade hazard. Keep back 75 m while machine is operating. Wait for blade to stop before approaching machine.



4 OPERATION

4.1 Preparation For Use

- ⚠ Keep bystanders, livestock, pets, etc away from work area.
- ⚠ Always wear protective equipment appropriate for the job.
- ⚠ Do not operate, work on or around this machine while under the influence of alcohol, drugs or if feeling ill.
- ⚠ Keep clear of moving machinery at all times.
- ⚠ Stop excavator engine before leaving operators area.
- ⚠ It is your responsibility to operate this equipment safely. You must be familiar with the equipment and all safety practices before use.
- ⚠ Do not allow untrained or unqualified people to operate this equipment.

4.1.1 Hydraulic Connections

⚠ WARNING

Pressurized fluids can penetrate the skin.

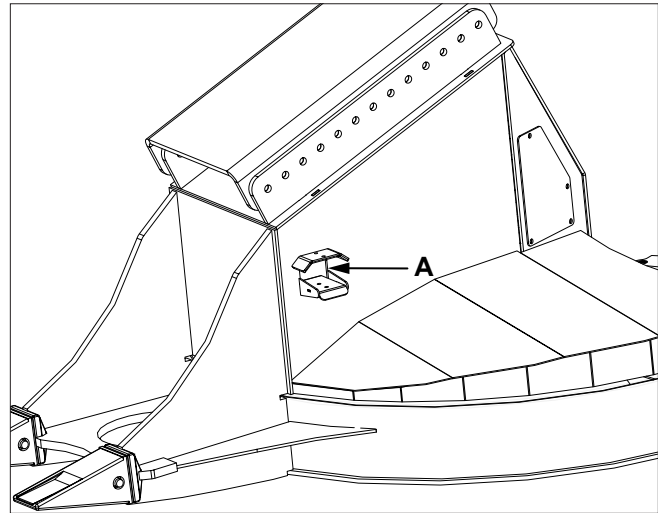
Disconnect and lock out power source before disconnecting and/or connecting hydraulic hoses.

Baumalight does not provide the hydraulic hoses that connect tree saw motor and motor case drain to excavator. The installer must determine a safe routing for the hydraulic hoses to prevent damage.

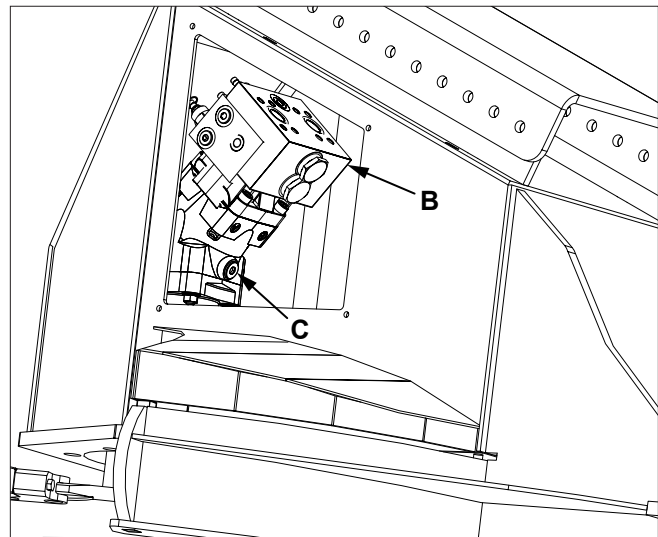
Installer provided hoses are not covered by the Baumalight warranty.

Note: Side covers have been removed for illustration purposes only. Do not operate with covers removed.

1. Route hoses through opening (A) in frame.



2. Remove side cover and connect supply hose to port A and return hose to port B on manifold (B).
3. Connect case drain hose to case drain port (C) on motor.



4. Install cover and tighten clamp on hose holder to secure hoses.

- Route hoses along boom and connect to excavator hydraulic system. Connect case drain hose to excavator reservoir.

Other installed attachments may interfere with tree saw operation and may need to be removed. Routing of the hoses will depend on the excavator and other installed attachments.

Baumlight does not provide these hoses and they are not covered by the Baumlight warranty.

NOTICE

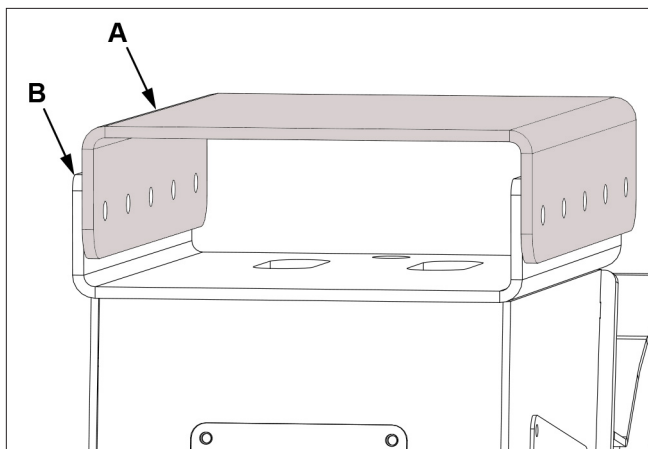
Prevent equipment damage.

Route hydraulic hoses away from pinch points.

During initial startup, carefully move tree saw and boom to all positions to verify hoses will not be damaged.

4.1.2 Excavator Adapter

- Install excavator adapter (A) on either side of machine mounting bracket (B) as shown.
- Install and tighten mounting hardware. Tightening the mounting hardware will pull the flanges into place.



4.2 Pre-Operation Check List

Verify that tree saw is properly attached to excavator.

Verify that hydraulic hoses properly connected.

Check for entangled material on blade.

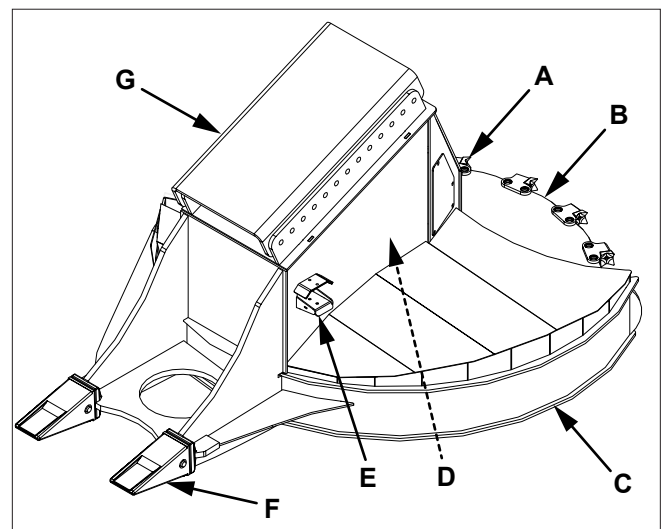
Verify all guards, doors and covers are installed and secured.

Verify cutting teeth are in good condition and are tight.

4.3 Machine Components

Dashed line indicates item hidden from view unless cover is removed.

- A. Cutting Teeth
- B. Blade
- C. Blade Guard
- D. Hydraulic Motor
- E. Hydraulic Hose Holder
- F. Ripper Teeth
- G. Excavator Adapter



4.4 Attach Tree Saw

WARNING

To prevent injury or machine damage put transmission in park.

Never position yourself between excavator and tree saw.

Only experienced and properly trained operator's should operate the excavator and tree saw.

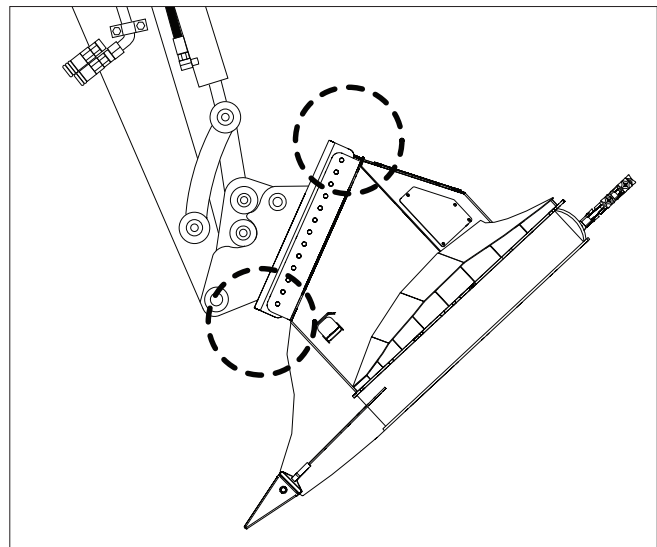
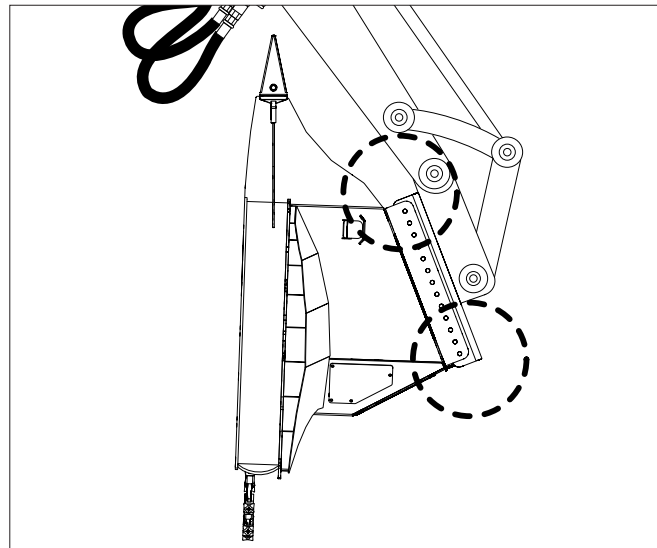
1. Read and follow all safety instructions.
2. Attach tree saw to excavator. See Operator's Manual.
3. Verify pins are secure in the correct position.
4. Connect hydraulic hoses. Verify hydraulic hoses are clear of pinch areas and moving parts.
5. Move to a clear open area to test functions.

4.5 Initial Startup

Perform an initial startup and carefully move tree saw and boom to all positions to verify hoses will not be damaged.

Carefully watch the circled areas in below images to be sure hoses are not pinched or kinked. Reroute if damage may occur.

Baumalight does not provide these hoses and they are not covered by the Baumalight warranty.



4.6 Detach Tree Saw



WARNING

Prevent serious injury or death.

- 1. Park machine on firm, level surface.**
- 2. Engage parking brake.**
- 3. Disconnect hydraulic drive.**
- 4. Shut off engine and remove key.**

1. Park on a level surface.
2. Lower tree saw to the ground.
3. Shut off engine and remove key.
4. Disconnect hydraulic hoses.
5. Detach tree saw from excavator. See Operator's Manual.

4.7 Transporting

1. Verify all reflectors and Slow Moving Vehicle (SMV) sign are visible.
2. Raise tree saw slightly off ground.
3. Verify hydraulics are disengaged.
4. Travel at a reasonable and safe speed.



WARNING

To prevent bodily injury from rotating blade, be sure to disengage hydraulics before transporting tree saw.

4.8 Carbide Teeth Break-In

During the first few hours of use, avoid hitting stones as much as possible to allow the carbide teeth to wear slightly. This can be done by keeping the cutting wheel above ground level. Brand new carbide tips are razor sharp and can chip and shatter easily when they hit hard objects. Once the razor sharpness has worn away, the tips do not chip as easily. Observing these precautions will extend the life of the carbide teeth and reduce operating expenses.

The teeth bolts must be retightened every ten minutes for the first hour of use on a new tree saw.

4.9 First Time User Tips

- First, operate all functions in a clear area with throttle at low idle to get a good feel for the controls before you actually move into any brush.
- Slow cutting speed if pressure surges up close to max psi. Doing this will greatly reduce blade stoppage.
- Run throttle at half speed for first time users.
- Move the tree saw slowly until you have a better feel how much the unit can take.
- The machine is equipped with a front push bar to push brush or small trees over. This will allow the tree saw teeth to contact the lower portion of the brush and the blade to cut it off.
- Each operator must experiment to find a technique that works for them in their application.

WARNING

Always turn off excavator and disengage hydraulic drive before getting off the seat and approaching the blade.

WARNING

Drilling, sawing, sanding or machining wood products can expose you to wood dust, a substance known to the State of California to cause cancer.

Avoid inhaling wood dust or use a dust mask or other safeguards for personal protection. For more information go to www.P65Warnings.ca.gov/wood.

WARNING

Wear an approved dust mask or respirator.

Follow local, state and federal regulations.

4.10 Field Operation

WARNING

Prevent serious injury or death.

- 1. Park machine on firm, level surface.**
- 2. Engage parking brake.**
- 3. Disconnect hydraulic drive.**
- 4. Shut off engine and remove key.**

WARNING

Prevent serious injury or death.

Never operate tree saw when other people are in the vicinity.

Debris can be thrown from cutting area.

Keep all shields in place.

Keep away from moving parts.

WARNING

Drilling, sawing, sanding or machining wood products can expose you to wood dust, a substance known to the State of California to cause cancer.

Avoid inhaling wood dust or use a dust mask or other safeguards for personal protection. For more information go to www.P65Warnings.ca.gov/wood.

! WARNING

Wear an approved dust mask or respirator.

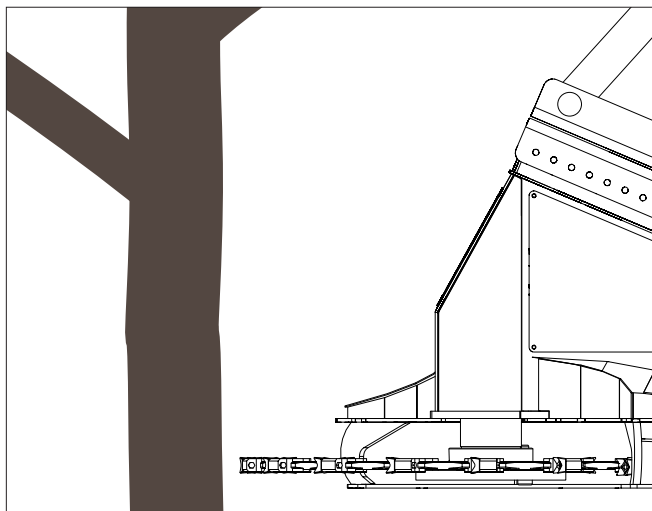
Follow local, state and federal regulations.

! WARNING

Prevent serious injury or death.

It is recommended that the operating unit be equipped with a forestry guard to protect the operator.

1. Attach tree saw to excavator. See Attach Tree Saw in this section.
2. Set engine speed to low idle and engage hydraulics.
3. Slowly increase engine speed to high idle. Verify tree saw is operating smoothly.
Position tree saw as needed to obtain the closest cut to trunk or ground.



4. Operate hydraulics to move tree saw blade into brush, shrubs or tree.

5. If blade stalls, stop movement, move tree saw away from brush, trees or shrubs and allow blade to regain speed. Slow movement to prevent further stalling.

! WARNING

Moving parts can crush and cut.

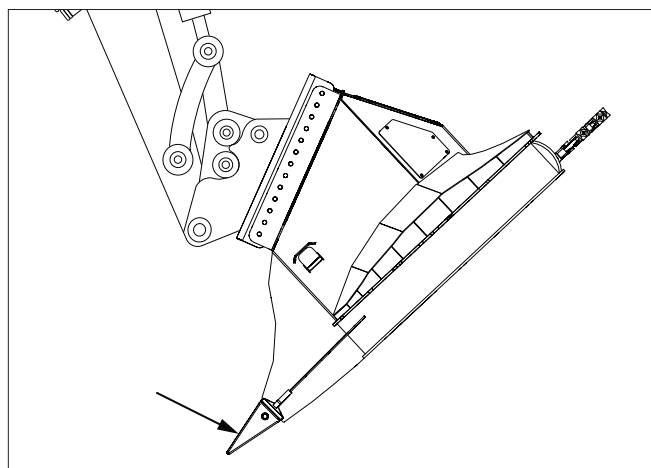
Keep clear of moving components.

Lockout operating unit before clearing jams.

! WARNING

Never approach tree saw before blade has come to a complete stop.

5. Tilt tree saw and use ripper teeth to drag cut trees and brush out of the way.




6. When cutting is completed, disengage hydraulics and allow blade to stop.
7. Lower tree saw to ground and stop excavator engine.

5 SERVICE AND MAINTENANCE

5.1 Maintenance


Maintenance Chart		
General Inspection	Inspect the unit for any buildup of contamination (dirt, stones, etc.).	Daily.
Hydraulic Hoses	Inspect hydraulic hoses for damage and wear.	Daily.
Cutting Teeth	The teeth bolts must be retightened every ten minutes for the first hour of use on a new tree saw.	Every 10 minutes for the first hour, then every 6 hours of use.
Cutting Teeth	Check and replace one at a time as necessary. With daily use expect to replace 4 to 6 teeth per day. See Replace Cutting Teeth in this section.	Every 6 hours.

5.2 Inspections

 **WARNING**


Prevent serious injury or death.

1. Park machine on firm, level surface.
2. Engage parking brake.
3. Disconnect hydraulic drive.
4. Shut off engine and remove key.

 **WARNING**

Drilling, sawing, sanding or machining wood products can expose you to wood dust, a substance known to the State of California to cause cancer.

Avoid inhaling wood dust or use a dust mask or other safeguards for personal protection. For more information go to www.P65Warnings.ca.gov/wood.

 **WARNING**

Wear an approved dust mask or respirator.

Follow local, state and federal regulations.

Inspect the unit for any buildup of contamination (dirt, stones, etc.).

Check condition of cutting teeth every 6 hours of use. Replace cutting teeth as needed. Unit will cut faster and remaining teeth will last longer if broken teeth are replaced.

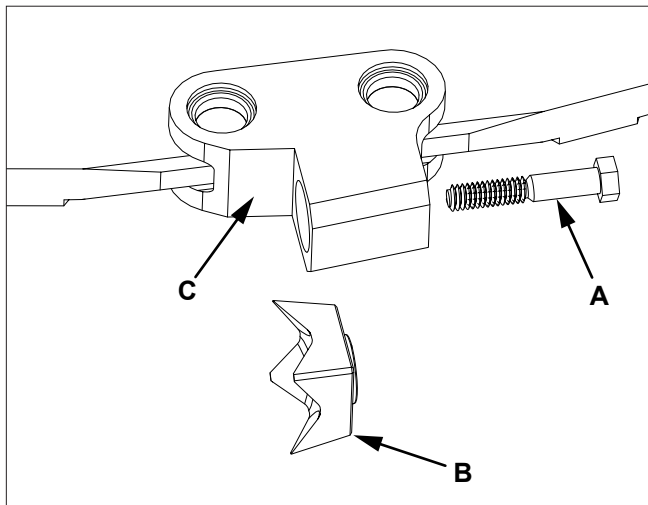
Inspect hydraulic hoses for damage and wear.

5.3 Rotate Cutting Teeth

Check condition of cutting teeth every 6 hours of use. Keep cutting teeth in good condition. Unit will cut faster and remaining teeth will last longer if broken or worn teeth are replaced.

Each tooth can be rotated up to one time from its original position before replacement is necessary.

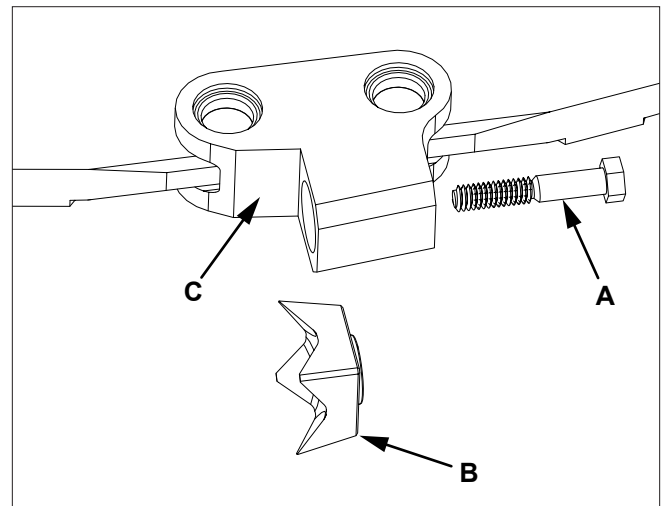
1. Park tree saw on a level surface.
2. Lower blade to the ground.
3. Shut off engine and lockout engine controls.
4. Inspect teeth for wear on top edge. Once outside cutting edge is worn, rotate tooth 180° so the new edge is on outside.
5. Remove bolt (A) on tooth (B) and rotate tooth 1/2 turn. Flat shoulder on tooth will fit against shoulder (C) on tooth holder.
6. Install and tighten bolt (A) to 37 lb/ft (50 Nm) of torque.



Note: Parts breakdown can be found on Baumalight's website. www.baumalight.com

5.4 Replace Cutting Teeth

1. Park tree saw on a level surface.
2. Lower blade to the ground.
3. Shut off engine and lockout engine controls.
4. Remove bolt (A) on tooth (B) and remove tooth. Install new tooth so flat shoulder on tooth is against shoulder (C) on tooth holder.
5. Install and tighten bolt (A) to 37 lb/ft (50 Nm) of torque.



Note: Parts breakdown can be found on Baumalight's website. www.baumalight.com

5.5 Zero Leak Case Drain Relief Valve

The tree saw is equipped with a case drain line that is to be routed to the excavator hydraulic reservoir.

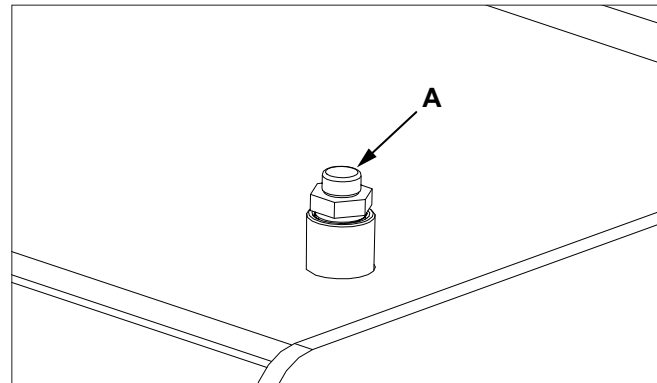
It is normal for a hydraulic motor to have a slight amount of internal leakage.

The case drain line will allow this internal leakage to be returned to the reservoir, preventing excessive pressure on the motor seal.

Starting with model year 2022, tree saws will be equipped with a zero leak relief valve (A) installed in the case drain line.

If the case drain line is not connected or becomes obstructed, the zero leak relief valve will vent the pressurized hydraulic fluid to the atmosphere. The zero leak relief valve will self reset after hydraulic pressure reduced.

A properly installed case drain protected by a zero leak relief valve will save the work of replacing the motor shaft seal and also improve the efficiency of your hydraulic system.



WARNING

Pressurized fluids can penetrate the skin.

Keep bystanders away from machine during operation.

A tiny, almost invisible leak can penetrate the skin, thereby requiring immediate medical attention.

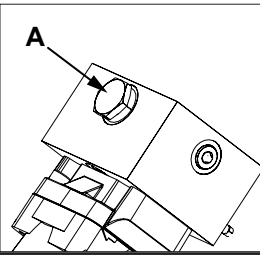
If hydraulic fluid is coming out of the zero leak relief valve, shut down machine immediately. Inspect the case drain line connection and lines. Contact your dealer if case drain lines and connection are good.

NOTICE

Environmental hazard.

Clean up any spilled hydraulic fluid immediately.

6 TROUBLESHOOTING

PROBLEM	CHECK	SOLUTION
Blade does not spin.	Blade jammed.	Remove material from blade.
	Low oil level.	Check oil level. Add if necessary.
	Low oil flow.	Check flow control on skidsteer. See your dealer.
	Low pressure.	Check valve open.
Blade rotates slow or sluggish.	Low oil.	Check oil level. Add if necessary.
	Oil filter plugged.	Replace skidsteer oil filter.
	Relief valve not set properly.	Set relief pressure to motor specification.
	Low oil flow.	Set relief pressure to motor specification.
Excessive vibration.	Cutting teeth worn or missing.	Replace worn, broken or missing teeth.
	Debris lodged in blade.	Remove debris.
Low cutting power.	Check to see if blade can be turn backward with hoses disconnected.	<p>If blade can be turned, anti-cavitation valve (A) may be stuck open.</p> <p>Remove and clean anti-cavitation valve.</p> 
	Low flow or pressure.	<p>Check hydraulic pump flow and pressure.</p> <p>Disconnect pressure line to saw and install a pressure gauge in line. Test pressure. Contact your dealer if pressure is low.</p>
	Check blade speed with a photo tachometer.	Contact your dealer for recommended blade speed based on the motor and machine GPM.
Hydraulic fluid coming out of zero leak relief valve.	Case drain connector for proper connection and line for obstructions or pinched line.	Connect case drain line if not connected. Replace line if damage, obstructed or pinched.
	Combo coupler seals.	Combo coupler seals may be leaking, allowing pressurized fluid to escape to the case drain line.

7 STORAGE

7.1 Storing Tree Saw

1. Store tree saw in a dry place.
2. Clean tree saw thoroughly. Dirt and wood chips will draw moisture and cause rust.
3. Check condition of cutting teeth. Replace as necessary. (See Service and Maintenance section.)
4. Check for loose or missing hardware.
5. Paint parts as necessary.

7.2 Remove Tree Saw From Storage

1. Review Operator's Manual.
2. If parts have been replaced, verify they operate properly.

BAUMALIGHT ATTACHMENT WARRANTY

The product is warranted to be free of defects in materials and workmanship under normal use and service, for a period of one year from the date of purchase. This warranty covers parts and labor, but does not cover misuse, negligence, dealer travel time and shipping costs to and from the dealer.

Replacement of individual parts vs. assemblies are at the discretion of the manufacturer.

Warranted replacement parts will be shipped to the customer free of charge via ground shipping. If expedited shipping requested, the customer will be charged the difference between ground shipping and the cost of expedited shipping. Damage in transit is not covered by warranty.

Baumalight products purchased new must be registered for warranty at <https://baumalight.com/support/product-registration>.

Warranty claims must include the original bill of sale. This warranty is extended only to the original purchaser and there is never any warranty on anything sold through auction.

This product must be operated and maintained in accordance with the Operating and Maintenance Instructions supplied with this unit.

Under no circumstances will the manufacturer be liable for any consequential damage or expense of any kind, including loss of profits. The manufacturer is under no circumstances liable for carrier unit damage of any kind. The manufacturer is not liable for the maintenance of the product. Baumalight will not cover time to diagnose and repair compatibility issues between carrier and attachment.

When receiving a shipment from the manufacturer:

1. Compare items received with the carriers bill of lading.
2. Check for damage before signing for the shipment. If damage is found, note damage on carriers bill of lading and photograph the damage.

Warranty repairs may be done by the end user if the end user is willing and capable.

The Manufacturer's Liability is limited to repair of the product and/or replacement of parts and is given to the purchaser in lieu of all other remedies including incidental and consequential charges. There are no warranties, expressed or implied other than those specified herein. For the nearest Authorized Service Center call the manufacturer.

The allowable time for dealers to perform some repairs can be found on our website in the support section under Service And Instruction Videos & Support. If website does not list a time for the repair, dealer must contact the manufacturer before starting the repair to find how much time will be covered for the activity. The manufacturer will only cover up to 1 hour to diagnose and troubleshoot an issue, regardless of the suggestions recommended by the manufacturer to check and verify an issue.

Model Number: _____ S/N: _____

Date of Purchase: _____ Owner's Name _____

Replacement parts sold after the equipment warranty has expired are warranted for a period of 30 days from the date of purchase. Labor, diagnosis and troubleshooting are not covered on replacement parts.

For parts, specifications and the latest machine information please visit our website.

www.baumalight.com

MTB MFG INC.
CORPORATE HEADQUARTERS
4575 Powell Rd.,
Wallenstein, Ontario Canada
N0B 2S0
Phone - 519.698.9864
Toll Free - 866.820.5603
Fax - 519.698.1087
www.baumalight.com

