

BAUMALIGHT™

GXM350, GXM550 And GXM750 Stump Grinder

OPERATOR'S MANUAL

TABLE OF CONTENTS

1 INTRODUCTION	4
1.1 Overview.....	4
1.2 Intended Use And Foreseeable Misuse	4
2 SAFETY.....	5
2.1 Safety Alert Symbol And Safety Words	5
2.2 Operational Hazards.....	5
Prepare For Emergencies	6
Replace Safety Signs	6
Do Not Allow Riders	6
Lower Operating Speed	6
Avoid Rollover	7
Avoid Powerlines & Underground Utilities	7
Detach Stump Grinder Safely	7
Hazards From Modifying Equipment	8
2.3 Maintenance Hazards.....	9
3 SAFETY SIGNS	10
4 OPERATION	12
4.1 Preparation For Use	12
4.1.1 EXCAVATOR ADAPTER	12
4.2 Hydraulic Connections	13
4.3 Machine Components	14
4.4 Attach To Excavator	14
4.5 Detach From Excavator	15
4.6 Transporting.....	15
4.7 Carbide Teeth Break-In.....	16
4.8 First Time User Tips	16
4.9 Field Operation	17
5 SERVICE AND MAINTENANCE	18
5.1 Rotate Cutting Teeth.....	18
5.2 Replace Cutting Teeth.....	19
5.3 Replace Tooth Holder.....	20
5.4 Maintenance	20
5.5 Zero Leak Case Drain Relief Valve.....	21
6 TROUBLESHOOTING	22
BAUMALIGHT ATTACHMENT WARRANTY.....	23

1 INTRODUCTION

1.1 Overview

Congratulations on your choice of a Baumalight Stump Grinder to complement your stump grinding operation. This equipment has been designed and manufactured to meet the needs of a discriminating buyer for efficient grinding of stumps.

This new and unique design allows us to build it very economically and makes it a very compact unit for storage and transport. The self feeding design of the frame and enhanced visibility make the stump grinder easy and efficient to operate. Hydraulic controls are easy to adjust and operate. The debris shield is standard equipment on all stump grinders. It is recommended that the stump grinder never be operated with out one.

Safe, efficient and trouble free operation of your Stump Grinder requires that you and anyone else who will be operating or maintaining the Stump Grinder, read and understand the Safety, Operation, Maintenance and Troubleshooting information contained within the Operator's Manual.

This manual covers the GXM350, GXM550 and GXM750 Baumalight Stump Grinder. Use the Table of Contents as a guide to locate required information.

Keep this manual handy for frequent reference and to pass on to new operators or owners. Call your Baumalight dealer, distributor or the factory if you need assistance, information or additional copies of the manuals.

OPERATOR ORIENTATION - The directions left, right, front and rear, as mentioned throughout this manual, are as seen from the operator's seat and facing in the direction of travel.

1.2 Intended Use And Foreseeable Misuse

The stump grinder is designed to be used by an experienced operator. Operator must be trained in the safe operation of an excavator and hazards related to using the stump grinder and the safe use of the grinder for the intended purpose. Operators will require personal protective equipment to reduce the risk from some hazards that cannot be completely eliminated or controlled by the design of the grinder.

Care is required to ensure that the stump grinder will not come across metallic objects, stones or other materials.

Stump grinders are not designed for use in hazardous atmospheres where there is a risk of fire or explosion due to flammable gases or vapors. Use in hazardous, explosive atmospheres is prohibited. Serious injury or death of the operator or bystanders may be caused if grinder is misused. Misuse may also cause damage to the machine carrying the grinder.

2 SAFETY

2.1 Safety Alert Symbol And Safety Words

You must read, understand and follow the instructions given by the operating unit manufacturers, as well as the instructions in this manual.

The safety information in this manual is denoted by the safety alert symbol:



This symbol means ATTENTION! BECOME ALERT! YOUR SAFETY IS INVOLVED!

The level of risk is indicated by the following signal words:


 DANGER
DANGER - Indicates a hazardous situation, which, if not avoided, WILL result in death or serious injury.


 WARNING
WARNING - Indicates a hazardous situation, which, if not avoided, could result in death or serious injury.


 CAUTION
CAUTION - Indicates a hazardous situation, which, if not avoided, could result in minor or moderate injury.

NOTICE
NOTICE - Indicates a situation that could result in damage to the equipment or other property.

2.2 Operational Hazards

 WARNING
Prevent death or serious injury.
Read and understand this manual before operating stump grinder.
Always stop engine and remove key before leaving operators seat.
Never allow anyone near the stump grinder during operation.
Travel at a safe speed.

 WARNING
Prevent death or serious injury from moving parts.
Moving parts can crush and dismember.
Do not operate without guards and shields in place.
Disconnect and lockout power source before adjusting or servicing.

 WARNING
Use stump grinder only for the designed applications.
Any other use may result in personal injury, damage to equipment and may void the warranty.



WARNING

Prevent death or serious injury.

Verify stump grinder is locked to quick attach hitch before operation or transport.



WARNING

Protect from flying debris.

Wear proper safety glasses, goggles, or a face shield to protect from flying debris.

Carefully read all safety messages in this manual and on equipment safety signs. Keep safety signs in good condition and replace missing or damaged safety signs.

New equipment components and repair parts must include the current safety decal.

Learn how to properly operate equipment. NEVER operate or work around this equipment without proper instruction, while fatigued or under the influence of alcohol, prescription or non-prescription medication or if feeling ill.

Keep your equipment in proper working condition. Know the regulations and laws that apply to you and your industry. This manual is not to replace any regulations or laws. Additional information may be found at: www.asae.org or www.osha.gov. If you do not understand any part of this manual, contact Baumalight at 866-820-7603.

Prepare For Emergencies

- Be prepared in case of emergencies.
- Keep a fire extinguisher and first aid kit close to the machine.
- Keep emergency phone numbers close to your phone.
- Know your address so emergency services can locate you if an emergency arises.

Replace Safety Signs

- Replace missing or damaged safety signs.
- Safety signs are identified in Section 3 of this manual.
- Replacement safety signs are available from your Baumalight dealer.

Do Not Allow Riders

- NEVER lift or carry anyone on stump grinder.
- NEVER use stump grinder as a work platform.
- NEVER allow passengers on stump grinder.

Lower Operating Speed

- Lower operating speed while loading, unloading or performing heavy operations.
- Keep load low and move at slow speeds on rough or uneven terrain.

Avoid Rollover

The equipment may rollover, resulting in death or serious injury. To help prevent rollover:

- Travel at a slow speed.
- Avoid sharp turns & sudden movement on slopes.
- Carry loads close to the ground.
- Avoid holes, ditches and other obstructions which may cause equipment to rollover.
- Balance load so weight is evenly distributed and load is stable.
- Use caution when operating on slopes and do not operate on excessively steep slopes.
- Do not exceed load capacity of equipment.

Avoid Powerlines & Underground Utilities

DANGER

Prevent electrocution.

Death or serious injury can result if equipment comes near or contacts power lines.

Electrocution can occur without direct contact.

- Check clearance before raising equipment.
- Have local utilities locate and mark underground wires, cables, pipelines and other hazards before grinding.

DO NOT leave the operator's seat if any part of the equipment contacts electric lines or cables.

Detach Stump Grinder Safely

Detach stump grinder on a firm and level surface. Stump grinder may fall over if detached on unlevel or soft surface. Be sure people, livestock and pets are clear of machinery.

Relieve hydraulic pressure before disconnecting hydraulic hoses.

Raised Attachment

WARNING

Crushing hazard.

Raised, unsupported stump grinder can fall, resulting in death or serious injury.

Never enter the area under a raised stump grinder.

A raised stump grinder can lower unexpectedly, resulting in death or serious injury.

NEVER enter area under a raised stump grinder.

Lower stump grinder to ground, engage parking brake, shut off engine and remove key before servicing.

Hazards From Modifying Equipment

Do not make any alterations to your stump grinder. Altering may cause your equipment to be unsafe and may void the manufacturers' warranty.

Avoid High Pressure Fluids

WARNING

Pressurized fluids can penetrate the skin.

Hydraulic hoses can fail from age, damage and exposure.

Use body and face protection while searching for leaks. A tiny, almost invisible leak can penetrate the skin, thereby requiring immediate medical attention.

Use wood or cardboard to detect hydraulic leaks, never use your hands.

Escaping fluid under pressure can penetrate the skin causing serious injury.

Prevent the hazard by relieving pressure before connecting or disconnecting hydraulic lines. Verify all connections are tight before applying pressure. Search for leaks with a piece of cardboard or wood. Protect hands and body from high pressure fluids. If an accident occurs, see a doctor immediately. Any fluid injected into the skin must be surgically removed within a few hours or serious infection may result.

Avoid Wood Dust Inhalation

WARNING

Drilling, sawing, sanding or machining wood products can expose you to wood dust, a substance known to the State of California to cause cancer.

Avoid inhaling wood dust or use a dust mask or other safeguards for personal protection. For more information go to www.P65Warnings.ca.gov/wood.

WARNING

Wear an approved dust mask or respirator.

Follow local, state and federal regulations.

Avoid Loud Noise

WARNING

Prolonged exposure to loud noise can cause impairment or loss of hearing.

Wear a suitable hearing protective device such as earmuffs or earplugs to protect against objectionable or uncomfortable loud noises.


2.3 Maintenance Hazards


Before servicing, park machine on a firm and level surface, set parking brake and place a “Do Not Operate” tag on control panel. Read and understand this manual. If you do not understand any part of the manual, contact Baumalight at 866-820-7603.


Always wear face and/or eye protection, safety shoes, and other protective equipment appropriate for the job.

Do not make unauthorized modifications. Contact Baumalight at 866-820-7603. Before you weld, cut/drill holes, or make any other modifications.


Always use Baumalight replacement parts.


 WARNING
Moving parts can crush and cut.
Keep clear of moving components.
Follow lockout procedure before servicing.

 WARNING
Crushing hazard.
Before performing inspections, service or maintenance:
Park machine on firm, level surface.
Engage excavator parking brake.
Turn engine off and remove key.
Place “Do Not Operate” tag on control panel.

 WARNING
Entanglement hazard.
Keep clear of moving components.
Wear proper protective equipment appropriate for the job.

 WARNING
Burn hazard.
Hot and high pressure hydraulic oil.
Allow oil to cool before servicing.

 WARNING
Drilling, sawing, sanding or machining wood products can expose you to wood dust, a substance known to the State of California to cause cancer.
Avoid inhaling wood dust or use a dust mask or other safeguards for personal protection. For more information go to www.P65Warnings.ca.gov/wood.

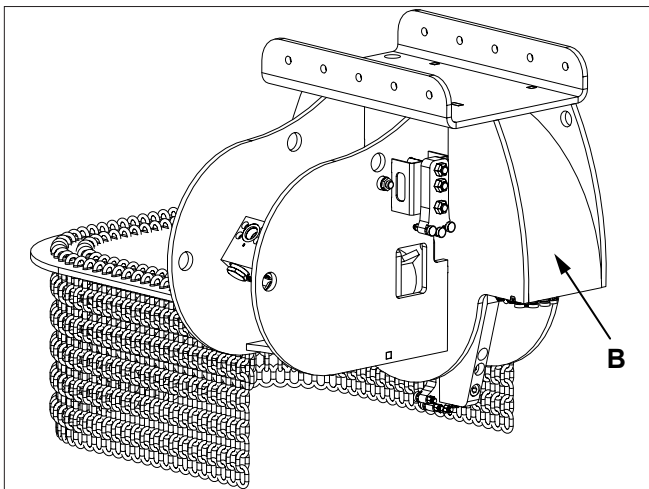
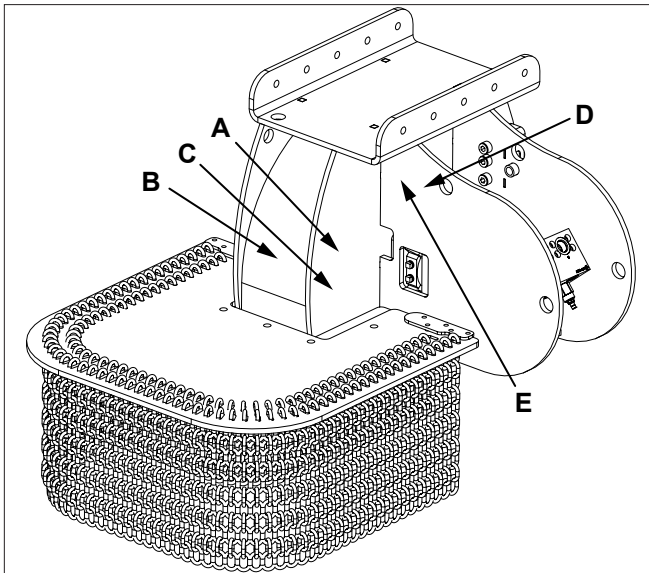
 WARNING
Wear an approved dust mask or respirator.
Follow local, state and federal regulations.

3 SAFETY SIGNS

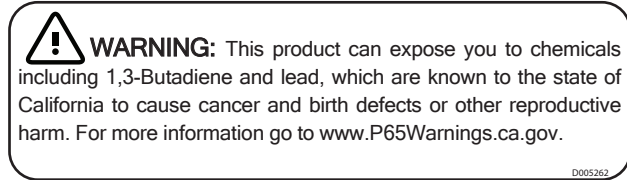
The two and four panel safety decals are pictorial and have a yellow background. The panel with a triangle indicates the potential hazard. The panel without a triangle indicates how to avoid the hazard.

If any of the decals are missing, are damaged, or if you do not understand the decal, please contact your dealer.

Dashes lines indicate items hidden from view unless cover is opened.




- A. D005262 WARNING - P65 warning information.




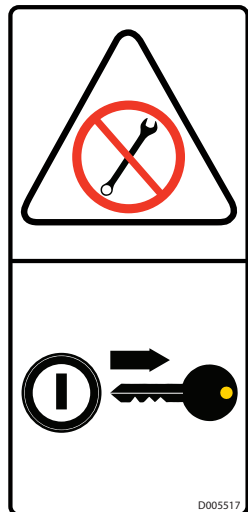
- B. D005223 WARNING - Rotating blade hazard. Keep back 75m while machine is operating. Wait for blade to stop before approaching machine.




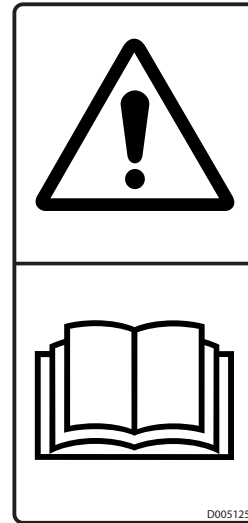
- C. D005126  WARNING - Pressurized fluid hazard. Keep away from machine.



- D. D005517  WARNING - Remove key before servicing.



- E. D005125  WARNING - Read and understand safety signs on the machine and operating instructions in this manual before operating machine.



4 OPERATION

4.1 Preparation For Use

WARNING

Drilling, sawing, sanding or machining wood products can expose you to wood dust, a substance known to the State of California to cause cancer.

Avoid inhaling wood dust or use a dust mask or other safeguards for personal protection. For more information go to www.P65Warnings.ca.gov/wood.

WARNING

Wear an approved dust mask or respirator.

Follow local, state and federal regulations.

Although the stump grinder has been carefully inspected and checked prior to shipment from manufacturer, it is recommended that the unit be thoroughly inspected.

Check all bolts for tightness and remove all shipping tags, bags, skids, and blocking.

Inspect equipment to verify that nameplates and all safety warning, caution signs and decals provided with the equipment are in place and clearly visible.

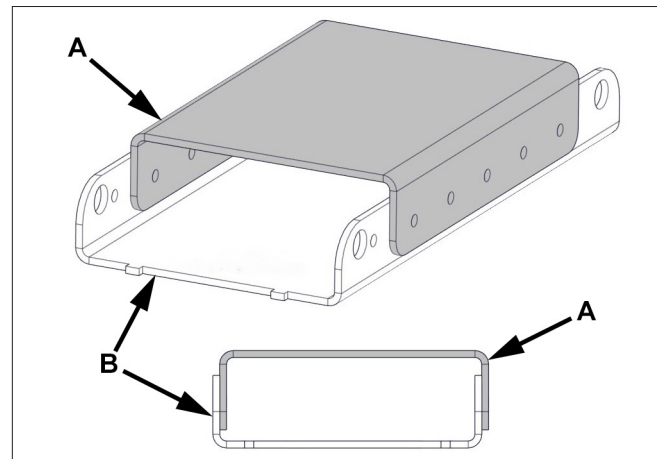
Visually inspect the stump grinder before each start up. Check for loose or missing parts and any damage that may have occurred during moving or shipping.

Review all excavator pre-start instructions, and ensure that all recommended steps and procedures have been followed. The stump grinder must be lifted in a vertical direction only. Due to the weight of the rotor the device must be adjusted accordingly.

4.1.1 Excavator Adapter

1. Install excavator adapter (A) on either side of machine mounting bracket (B) as shown.
2. Install and tighten mounting hardware. Tightening the mounting hardware will pull the flanges into place.

Note: Excavator adapter design may vary but the mounting procedure is the same.



4.2 Hydraulic Connections

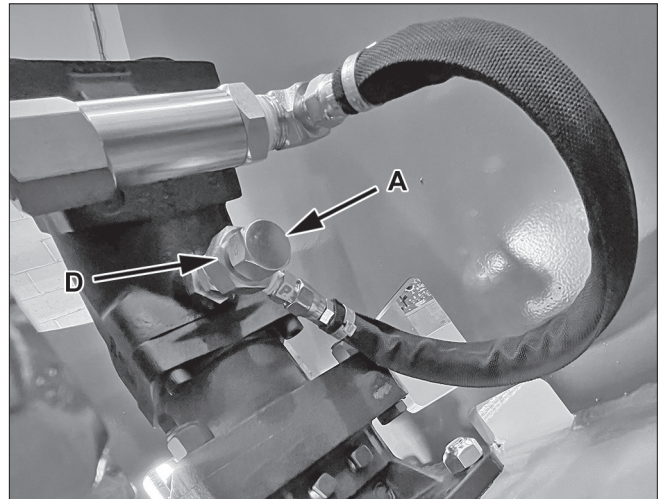
WARNING

Pressurized fluids can penetrate the skin.

Disconnect and lock out power source before disconnecting and/or connecting hydraulic hoses.

The stump grinder is not equipped with hydraulic hoses. You must connect your excavator pressure, return and case drain hoses to stump grinder motor.

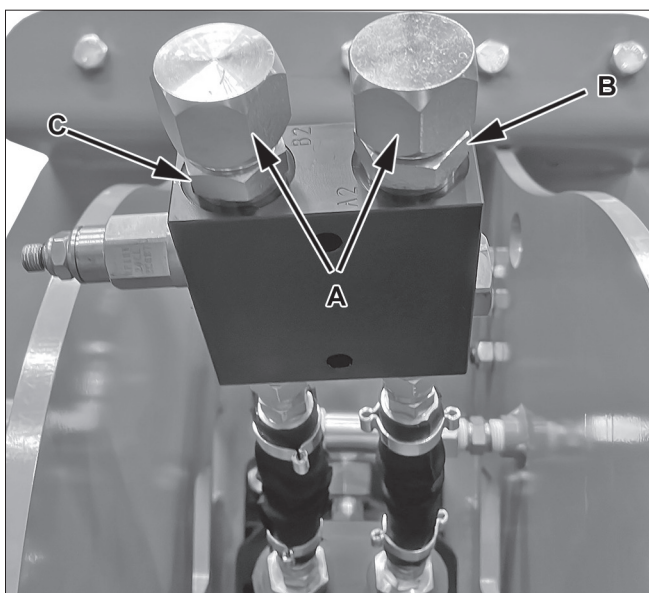
Remove caps (A) and connect your pressure hose to connector (B), return hose to connector (C) and case drain hose to connector (D).



NOTICE

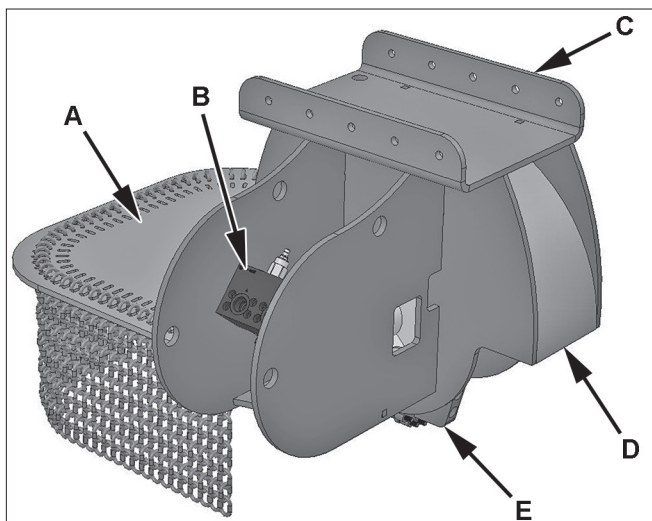
Prevent equipment damage.

Failure to connect excavator case drain hose to motor case drain connector (D) may blow out motor shaft seal.



4.3 Machine Components

- A. Debris Shield / Backfill Blade
- B. Hydraulic Motor
- C. Mounting Plate
- D. Rotor Shield
- E. Rotor Wheel



4.4 Attach To Excavator

WARNING

To prevent injury or machine damage put transmission in “Park”.

Never position yourself between excavator and stump grinder.

Only experienced and properly trained operator’s may operate the excavator and stump grinder.

1. Read and follow all safety instructions.
2. Attach excavator to stump grinder. See excavator operator’s manual.
3. Verify pins are secure in the correct position.
4. Connect hydraulic hoses. Verify hydraulic hoses are clear of pinch areas and moving parts.
5. Move to a clear open area to test functions.

4.5 Detach From Excavator



WARNING

Prevent death or serious injury caused by unexpected movement:

1. **Park excavator on a level surface.**
2. **Engage excavator parking brake.**
3. **Disconnect hydraulic hoses.**
4. **Shut off engine and remove key.**

1. Park excavator on a level surface.
2. Lower stump grinder to the ground.
3. Shut off engine and remove key.
4. Disconnect hydraulic hoses.
5. Detach excavator from stump grinder. See excavator Operator's Manual.

4.6 Transporting



WARNING

Prevent death or serious injury.

Disengage hydraulic drive before transporting.

1. Verify all reflectors and Slow Moving Vehicle (SMV) sign are visible.
2. Raise stump grinder slightly off ground.
3. Verify hydraulics are disengaged.
4. Travel at a reasonable and safe speed.

4.7 Carbide Teeth Break-In

During the first few hours of use, avoid hitting stones as much as possible to allow the carbide teeth to wear slightly. This can be done by keeping the rotor above ground level. Brand new carbide tips are razor sharp and can chip and shatter easily when they hit hard objects. Once the razor sharpness has worn away, the tips do not chip as easily. Observing these precautions will extend the life of the carbide teeth and reduce operating expenses.

4.8 First Time User Tips

Before starting, stand to side of stump grinder and look at center point on bottom of rotor, this will appear different from the excavator seat and can be very deceiving.

Operate all functions in an open area with excavator in idle to get a good feel for the controls, do not expect to get first stump done fast.

Run throttle only at half speed for first time users.



WARNING

Always turn off excavator and disengage hydraulic drive before getting off the seat and approaching the stump grinder.



WARNING

Drilling, sawing, sanding or machining wood products can expose you to wood dust, a substance known to the State of California to cause cancer.

Avoid inhaling wood dust or use a dust mask or other safeguards for personal protection. For more information go to www.P65Warnings.ca.gov/wood.



WARNING

Wear an approved dust mask or respirator.

Follow local, state and federal regulations.

4.9 Field Operation

WARNING

Prevent serious injury or death caused by unexpected movement:

1. Park excavator on a level surface.
2. Engage excavator parking brake.
3. Disengage hydraulic drive.
4. Shut off engine and remove key.

WARNING

Never operate stump grinder when other people are in the vicinity.

Keep all shields in place.

Do not allow riders on excavator.

WARNING

Drilling, sawing, sanding or machining wood products can expose you to wood dust, a substance known to the State of California to cause cancer.

Avoid inhaling wood dust or use a dust mask or other safeguards for personal protection. For more information go to www.P65Warnings.ca.gov/wood.

WARNING

Wear an approved dust mask or respirator.

Follow local, state and federal regulations.

1. Attach stump grinder to excavator. See Attaching/Detaching in this section.
2. If stump is on a grade, position excavator in low area. This will position stump grinder in high area for a greater advantage of weight for stable cutting.
3. Move over stump so rotor torques downward pushing frame up to avoid binding.
4. Engage rotor and slowly lower it in a controlled manor to desired cutting depth. Always lower rotor beside stump, never try cutting down, always cut sideways.
5. Slowly move into the stump.
6. If rotor stalls, stop motion and rise slightly.
7. After a complete pass, move to home position and lower rotor to desired position for next pass.
8. Continue lowering the passes in this manor until stump is completely removed.
9. When grinding is completed, use backfill blade to level work site.

5 SERVICE AND MAINTENANCE

5.1 Rotate Cutting Teeth

WARNING

Prevent serious injury or death caused by unexpected movement:

1. Park excavator on a level surface.
2. Engage excavator parking brake.
3. Disengage hydraulic drive.
4. Shut off engine and remove key.

WARNING

Drilling, sawing, sanding or machining wood products can expose you to wood dust, a substance known to the State of California to cause cancer.

Avoid inhaling wood dust or use a dust mask or other safeguards for personal protection. For more information go to www.P65Warnings.ca.gov/wood.

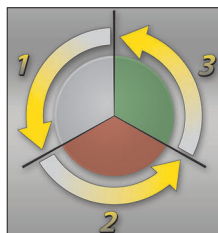
WARNING

Wear an approved dust mask or respirator.

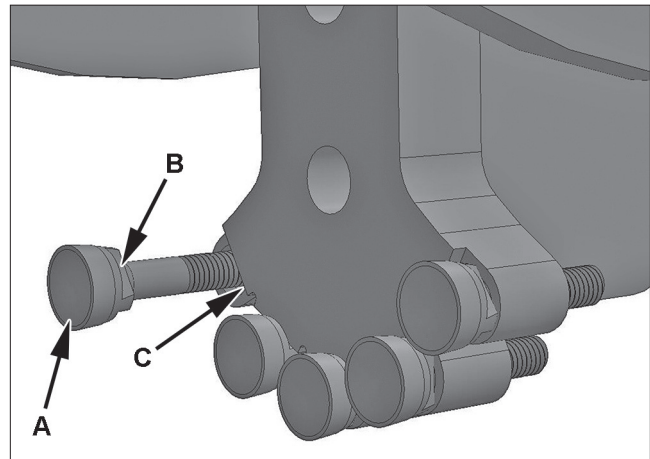
Follow local, state and federal regulations.

Each tooth can be rotated up to two times before replacement is necessary.

1. Park excavator and grinder on a level surface.
2. Lower grinder to the ground.
3. Shut off engine and remove key.



4. Inspect teeth for wear on top edge (A). Once top edge is worn, rotate tooth so a new edge is on top (cutting) edge.
5. Loosen locknut on tooth and rotate tooth 1/3 turn. Flat shoulder (B) on tooth will fit against shoulder (C) on tooth holder.
6. Tighten tooth locknut to 65 lb/ft (88 Nm) of torque.



Note: Parts breakdown can be found on *Baumalight's website*. www.baumalight.com

5.2 Replace Cutting Teeth

WARNING

Prevent serious injury or death caused by unexpected movement:

1. Park excavator on a level surface.
2. Engage excavator parking brake.
3. Disengage hydraulic drive.
4. Shut off engine and remove key.

WARNING

Drilling, sawing, sanding or machining wood products can expose you to wood dust, a substance known to the State of California to cause cancer.

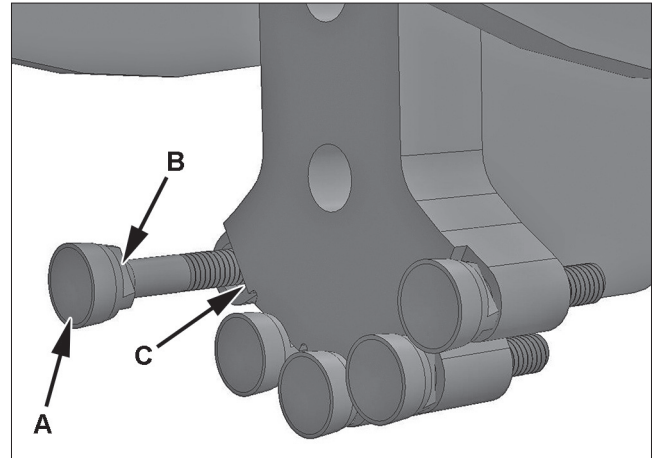
Avoid inhaling wood dust or use a dust mask or other safeguards for personal protection. For more information go to www.P65Warnings.ca.gov/wood.

WARNING

Wear an approved dust mask or respirator.

Follow local, state and federal regulations.

1. Park excavator and grinder on a level surface.
2. Lower grinder to the ground.
3. Shut off engine and remove key.
4. Inspect cutting teeth (A) for damage and wear. Replace individual teeth as needed.
5. Remove locknut, spacer and tooth. Install new tooth. Flat shoulder (B) on tooth will fit against shoulder (C) on tooth holder.
6. Install spacer and locknut. Tighten locknut to 65 lb/ft (88 Nm) of torque.



Note: Parts breakdown can be found on Baumalight's website. www.baumalight.com

5.3 Replace Tooth Holder

WARNING

Prevent serious injury or death caused by unexpected movement:

1. Park excavator on a level surface.
2. Engage excavator parking brake.
3. Disengage hydraulic drive.
4. Shut off engine and remove key.

WARNING

Drilling, sawing, sanding or machining wood products can expose you to wood dust, a substance known to the State of California to cause cancer.

Avoid inhaling wood dust or use a dust mask or other safeguards for personal protection. For more information go to www.P65Warnings.ca.gov/wood.

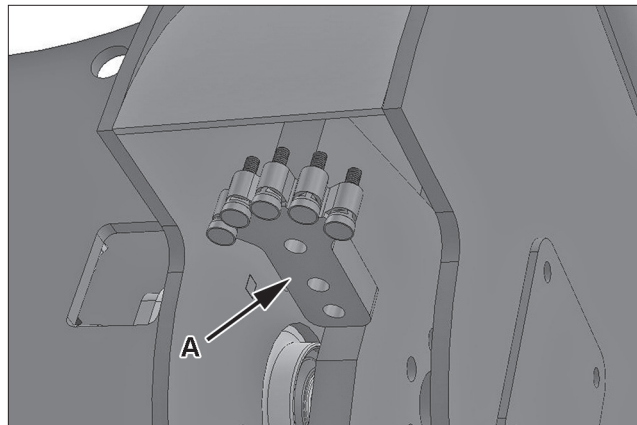
WARNING

Wear an approved dust mask or respirator.

Follow local, state and federal regulations.

1. Park excavator and grinder on a level surface.
2. Lower grinder to the ground.
3. Shut off engine and remove key.
4. Inspect tooth holders (A) for damage and wear. Replace individual tooth holders as needed.
5. Remove cutting teeth from holder.
6. Remove mounting hardware on tooth holder (A). Install new tooth holder, install and tighten mounting hardware.

7. Install cutting teeth into new tooth holder.
8. Tighten cutting teeth locknuts to 65 lb/ft (88 Nm) of torque.



Note: Parts breakdown can be found on Baumalight's website. www.baumalight.com

5.4 Maintenance

Check cutting teeth every 4 hours of use.

Inspect for any buildup of contamination (dirt, stones, etc.).

Check hydraulic hoses and fittings for leaks.

Keep cutting teeth in good condition. Unit will cut faster and remaining teeth will last longer if broken teeth are replaced.

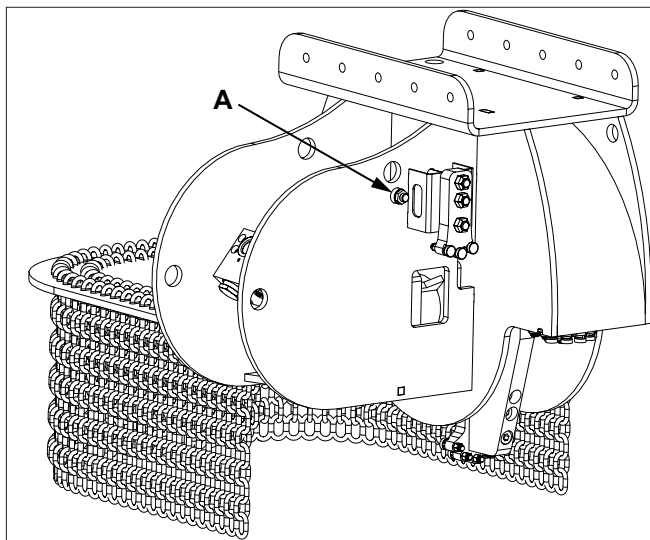
5.5 Zero Leak Case Drain Relief Valve

The stump grinder is equipped with a case drain connector. You must connect your case drain line and route to the excavator hydraulic reservoir.

It is normal for a hydraulic motor to have a slight amount of internal leakage.

The case drain line will allow this internal leakage to be returned to the reservoir, preventing excessive pressure on the motor seal.

Starting with model year 2022, stump grinders will be equipped with a zero leak relief valve (A) installed in the case drain line.



If the case drain line is not connected or becomes obstructed, the zero leak relief valve will vent the pressurized hydraulic fluid to the atmosphere. The zero leak relief valve will self reset after hydraulic pressure reduced.

A properly installed case drain protected by a zero leak relief valve will save the work of replacing the motor shaft seal and also improve the efficiency of your hydraulic system.

WARNING

Pressurized fluids can penetrate the skin.

Keep bystanders away from machine during operation.

A tiny, almost invisible leak can penetrate the skin, thereby requiring immediate medical attention.

If hydraulic fluid is coming out of the zero leak relief valve, shut down machine immediately. Inspect the case drain line connection and lines. Contact your dealer if case drain lines and connection are good.

NOTICE

Environmental hazard.

Clean up any spilled hydraulic fluid immediately.

6 TROUBLESHOOTING

PROBLEM	CHECK	SOLUTION
Rotor does not spin.	Rotor jammed.	Remove material from rotor.
	Low oil.	Check oil level in excavator. Add if necessary.
	Not enough oil flow.	Check flow control on excavator. See your dealer.
Rotor does not have much power.	Low oil.	Check oil level in excavator. Add if necessary.
	Oil filter plugged.	Replace excavator oil filter.
	Relief valve not set properly.	Set relief valve. Pressure should be between 2,500 and 3,500 psi.
	Not enough oil flow.	Check flow control on excavator. See your dealer.

BAUMALIGHT ATTACHMENT WARRANTY

The product is warranted to be free of defects in materials and workmanship under normal use and service, for a period of one year from the date of purchase. This warranty covers parts and labor, but does not cover misuse, negligence, dealer travel time and shipping costs to and from the dealer.

Replacement of individual parts vs. assemblies are at the discretion of the manufacturer.

Warranted replacement parts will be shipped to the customer free of charge via ground shipping. If expedited shipping requested, the customer will be charged the difference between ground shipping and the cost of expedited shipping. Damage in transit is not covered by warranty.

Baumalight products purchased new must be registered for warranty at <https://baumalight.com/support/product-registration>.

Warranty claims must include the original bill of sale. This warranty is extended only to the original purchaser and there is never any warranty on anything sold through auction.

This product must be operated and maintained in accordance with the Operating and Maintenance Instructions supplied with this unit.

Under no circumstances will the manufacturer be liable for any consequential damage or expense of any kind, including loss of profits. The manufacturer is under no circumstances liable for carrier unit damage of any kind. The manufacturer is not liable for the maintenance of the product. Baumalight will not cover time to diagnose and repair compatibility issues between carrier and attachment.

When receiving a shipment from the manufacturer:

1. Compare items received with the carriers bill of lading.
2. Check for damage before signing for the shipment. If damage is found, note damage on carriers bill of lading and photograph the damage.

Warranty repairs may be done by the end user if the end user is willing and capable.

The Manufacturer's Liability is limited to repair of the product and/or replacement of parts and is given to the purchaser in lieu of all other remedies including incidental and consequential charges. There are no warranties, expressed or implied other than those specified herein. For the nearest Authorized Service Center call the manufacturer.

The allowable time for dealers to perform some repairs can be found on our website in the support section under Service And Instruction Videos & Support. If website does not list a time for the repair, dealer must contact the manufacturer before starting the repair to find how much time will be covered for the activity. The manufacturer will only cover up to 1 hour to diagnose and troubleshoot an issue, regardless of the suggestions recommended by the manufacturer to check and verify an issue.

Model Number: _____ S/N: _____

Date of Purchase: _____ Owner's Name _____

Replacement parts sold after the equipment warranty has expired are warranted for a period of 30 days from the date of purchase. Labor, diagnosis and troubleshooting are not covered on replacement parts.

For parts, specifications and the latest machine information please visit our website.
www.baumalight.com

MTB MFG INC.
CORPORATE HEADQUARTERS
4575 Powell Rd.,
Wallenstein, Ontario Canada
N0B 2S0
Phone - 519.698.9864
Toll Free - 866.820.7603
Fax - 519.698.1087
www.baumalight.com

