

# **BAUMALIGHT™**

## **HGW30 Self-Propelled Stump Grinder**

### **OPERATOR'S MANUAL**

Issue Date: October 2020

**⚠ WARNING**

Breathing engine exhaust exposes you to chemicals known to the State of California to cause cancer and birth defects or other reproductive harm.

Always start and operate the engine in a well-ventilated area.

If in an enclosed area, vent the exhaust to the outside.

Do not modify or tamper with the exhaust system.

Do not idle the engine except as necessary.

For more information go to [www.P65Warnings.ca.gov](http://www.P65Warnings.ca.gov).

**⚠ WARNING**

Batteries, battery posts, battery terminals, and related accessories can expose you to chemicals including lead and lead compounds, which are known to the State of California to cause cancer and birth defects or other reproductive harm.

For more information go to [www.P65Warnings.ca.gov](http://www.P65Warnings.ca.gov).

# TABLE OF CONTENTS

<b>1 INTRODUCTION</b> .....	<b>2</b>
1.1 Overview.....	2
1.2 Intended Use And Foreseeable Misuse .....	2
<b>2 SAFETY</b> .....	<b>3</b>
2.1 Safety Alert Symbol And Safety Words .....	3
2.2 Operational Hazards.....	3
Prepare For Emergencies .....	4
Replace Safety Signs .....	4
Do Not Allow Riders .....	5
Lower Operating Speed .....	5
Avoid Rollover .....	5
Avoid Powerlines & Underground Utilities .....	5
Hazards From Modifying Equipment .....	6
2.3 Maintenance Hazards .....	8
<b>3 SAFETY DECALS</b> .....	<b>9</b>
<b>4 COMPONENTS</b> .....	<b>12</b>
<b>5 OPERATION</b> .....	<b>13</b>
5.1 Pre-Operation Check List .....	13
5.2 Carbide Teeth Break-In.....	13
5.3 First Time User Tips .....	14
5.4 Field Operation .....	14
Operator Controls.....	15
Grinding A Stump .....	15
<b>6 SERVICE AND MAINTENANCE</b> .....	<b>16</b>
6.1 Maintenance .....	16
6.2 Inspections.....	17
6.3 Rotate Cutting Teeth.....	17
6.4 Replace Cutting Teeth .....	18
6.5 Replace Tooth Holder.....	18
6.6 Lubrication .....	19
<b>7 TROUBLESHOOTING</b> .....	<b>20</b>
<b>8 STORAGE</b> .....	<b>20</b>
8.1 Storing Stump grinder .....	20
8.2 Remove Stump grinder From Storage.....	20
<b>9 WARRANTY</b> .....	<b>21</b>

# 1 INTRODUCTION

## 1.1 Overview

Congratulations on your choice of a Baumalight Stump Grinder to complement your stump grinding operation. This equipment has been designed and manufactured to meet the needs of a discriminating buyer for efficient grinding of stumps.

You must read, understand, and follow all instructions in this manual before operating, adjusting or servicing this machine.

If you do not understand any part of this manual or you are unsure about any aspect of this machine, contact Holt Industrial.

Information provided in this manual was current as of the issue date.

Information furnished in this manual does not include all of the details of design, production, or variations of equipment. It does not cover all the possible contingencies, which may arise during operation or maintenance.

Should special issues arise, or further information be desired, contact your dealer.

This manual covers the Baumalight HGW30 Stump Grinder. Use the Table of Contents as a guide to locate required information.

Keep this manual handy for frequent reference and to pass on to new operators or owners. Call your Baumalight dealer, distributor or the factory if you need assistance, information or additional copies of the manuals.

When this machine is worn out and no longer in use, it should be returned to the retailer or other party for recycling.

This operator's manual does not replace, nor does its use discharge the operator from observing all safety codes or operating limitations as well as any applicable federal, state, provincial or local regulations.

## 1.2 Intended Use And Foreseeable Misuse

The Stump grinder is designed to be used by experienced operators, trained in the safe operation of an excavator and trained in the hazards related to using the stump grinder and the safe use of the stump grinder for the intended purpose. Operators will require personal protective equipment to reduce the risk from some hazards that cannot be completely eliminated or controlled by the design of the tool.

Care is required to ensure that the stump grinder will not come across metallic objects, stones or other materials.

Stump grinder is not designed for use in hazardous atmospheres where there is a risk of fire or explosion due to flammable gases or vapors. Use in hazardous, explosive atmospheres is prohibited.

Serious injury or death of the operator or bystanders may be caused if the stump grinder is misused. Misuse may also cause damage to the machine carrying the implement.

# 2 SAFETY

## 2.1 Safety Alert Symbol And Safety Words

You must read, understand and follow the instructions given by the operating unit manufacturers, as well as the instructions in this manual.

The safety information in this manual is denoted by the safety alert symbol:



This symbol means ATTENTION! BECOME ALERT! YOUR SAFETY IS INVOLVED!

The level of risk is indicated by the following signal words:

<b>⚠ DANGER</b>
<b>DANGER</b> - Indicates a hazardous situation, which, if not avoided, <b>WILL</b> result in death or serious injury.

<b>⚠ WARNING</b>
<b>WARNING</b> - Indicates a hazardous situation, which, if not avoided, could result in death or serious injury.

<b>⚠ CAUTION</b>
<b>CAUTION</b> - Indicates a hazardous situation, which, if not avoided, could result in minor or moderate injury.

<b>NOTICE</b>
<b>NOTICE</b> - Indicates a situation that could result in damage to the equipment or other property.

## 2.2 Operational Hazards

<b>⚠ WARNING</b>
<b>Prevent serious injury or death.</b>
<b>Read and understand this manual before operating the stump grinder.</b>
<b>Always stop engine and allow rotor to stop before approaching rotor.</b>
<b>Never allow anyone near stump grinder during operation.</b>
<b>Travel at a safe speed.</b>

<b>⚠ WARNING</b>
<b>Prevent serious injury or death from moving parts.</b>
<b>Moving parts can crush and dismember.</b>
<b>Do not operate without guards and shields in place.</b>
<b>Lockout engine controls before adjusting or performing maintenance.</b>

<b>⚠ WARNING</b>
<b>Use stump grinder only for the designed applications.</b>
<b>Any other use may result in personal injury, damage to equipment and may void the warranty.</b>

**⚠ WARNING**

**Prevent serious injury or death.**

**Allow only properly trained and qualified personnel to operate this equipment.**

**⚠ WARNING**

**Protect from flying debris.**

**Wear proper safety glasses, goggles, or a face shield to protect from flying debris.**

**⚠ WARNING**

**Prevent serious injury or death.**

**Engine exhaust contains carbon monoxide. Carbon monoxide is an odorless gas that can cause death.**

**Avoid any areas or actions that expose you or others to carbon monoxide.**

**Never refuel a running engine or refuel near ignition sources.**

Carefully read all safety messages in this manual and on equipment safety signs. Keep safety signs in good condition and replace missing or damaged safety signs.

New equipment components and repair parts must include the current safety decal.

Learn how to properly operate equipment. NEVER operate or work around this equipment without proper instruction, while fatigued or under the influence of alcohol, prescription or non-prescription medication or if feeling ill.

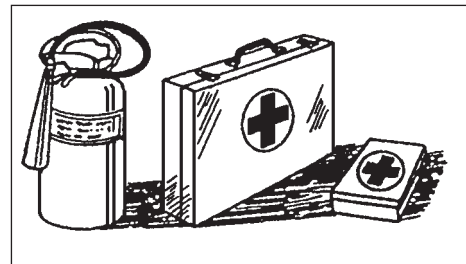
Keep your equipment in proper working condition.

Know the regulations and laws that apply to you and your industry. This manual is not to replace any regulations or laws. Additional information may be found at: [www.asae.org](http://www.asae.org) or [www.osha.gov](http://www.osha.gov).

If you do not understand any part of this manual, contact Baumalight at 866-820-5603.

## Prepare For Emergencies

- Be prepared in case of emergencies.
- Keep a fire extinguisher and first aid kit close to the machine.
- Keep emergency phone numbers close to your phone.
- Know your address so emergency services can locate you if an emergency arises.



## Replace Safety Signs

- Replace missing or damaged safety signs.
- Safety signs are identified in Section 3 of this manual.
- Replacement safety signs are available from your Baumalight dealer.

## Do Not Allow Riders

- NEVER lift or carry anyone on the stump grinder.
- NEVER use stump grinder as a work platform.
- NEVER allow passengers on the stump grinder.

## Lower Operating Speed

- Keep stump grinder low and move at slow speeds on rough or uneven terrain.

## Avoid Rollover

The equipment may rollover, resulting in death or serious injury. To help prevent rollover:

- Travel at a slow speed.
- Avoid sharp turns & sudden movement on slopes.
- Carry stump grinder close to the ground.
- Avoid holes, ditches and other obstructions which may cause equipment to rollover.
- Use caution when operating on slopes and do not operate on excessively steep slopes.
- 

## Avoid Powerlines & Underground Utilities

### **DANGER**

**Prevent electrocution.**

**Death or serious injury can result if equipment comes near or contacts power lines.**

**Electrocution can occur without direct contact.**

DO NOT leave the operator's seat if any part of the equipment contacts electric lines or cables.

## Raised Rotor

### **WARNING**

**Crushing hazard.**

**Raised, unsupported rotor can fall, resulting in death or serious injury.**

**Never enter the area under a raised rotor.**

A raised rotor can lower unexpectedly, resulting in death or serious injury.

NEVER enter area under a raised rotor.

Lower rotor to ground, engage parking brake, shut off engine and lockout engine controls before servicing

## Avoid High Pressure Fluids

### **⚠ WARNING**

**Pressurized fluids can penetrate the skin.**

**Hydraulic hoses can fail from age, damage and exposure.**

**Use body and face protection while searching for leaks. A tiny, almost invisible leak can penetrate the skin, thereby requiring immediate medical attention.**

**Use wood or cardboard to detect hydraulic leaks, never use your hands.**

Escaping fluid under pressure can penetrate the skin causing serious injury.

Prevent the hazard by relieving pressure before connecting or disconnecting hydraulic lines. Verify all connections are tight before applying pressure.

Search for leaks with a piece of cardboard or wood.

Protect hands and body from high pressure fluids. If an accident occurs, see a doctor immediately. Any fluid injected into the skin must be surgically removed within a few hours or serious infection may result.

Doctors unfamiliar with this type of injury should reference a knowledgeable medical source.

## Avoid Loud Noise

### **⚠ WARNING**

**Prolonged exposure to loud noise can cause impairment or loss of hearing.**

**Wear a suitable hearing protective device such as earmuffs or earplugs to protect against objectionable or uncomfortable loud noises.**

## Hazards From Modifying Equipment

Do not make any alterations to your stump grinder. Altering the equipment may cause unsafe conditions and may void the manufacturer's warranty.



## Avoid Wood Dust Inhalation

### **⚠ WARNING**

**Wear an approved respirator (N95 Type as a minimum).**

**Follow local, state and federal regulations.**

The health effects from exposure to wood dust are due to chemicals in the wood or chemical substances in the wood created by bacteria, fungi, or molds.

## Avoid High Pressure Fluids

### **⚠ WARNING**

**Pressurized fluids can penetrate the skin.**

**Hydraulic hoses can fail from age, damage and exposure.**

**Use body and face protection while searching for leaks. A tiny, almost invisible leak can penetrate the skin, thereby requiring immediate medical attention.**

**Use wood or cardboard to detect hydraulic leaks, never use your hands.**

Escaping fluid under pressure can penetrate the skin causing serious injury.

Prevent the hazard by relieving pressure (See Excavator Operator's Manual.) before connecting or disconnecting hydraulic lines. Verify all connections are tight before applying pressure.

Search for leaks with a piece of cardboard or wood.

Protect hands and body from high pressure fluids. If an accident occurs, see a doctor immediately. Any fluid injected into the skin must be surgically removed within a few hours or serious infection may result.

## 2.3 Maintenance Hazards

Before servicing, park machine on a firm and level surface, remove key, set parking brake and place a “Do Not Operate” tag on control panel. Read and understand this manual. If you do not understand any part of the manual, contact your dealer.

Always wear face and/or eye protection, safety shoes, and other protective equipment appropriate for the job.

Do not make unauthorized modifications. Contact your dealer before you weld, cut/drill holes, or make any other modifications.

Always use Baumalight replacement parts.

### WARNING

**Moving parts can crush and cut.**

**Keep clear of moving components.**

**Follow lockout procedure before servicing.**

### WARNING

**Entanglement hazard.**

**Keep clear of moving components.**

**Wear proper protective equipment appropriate for the job.**

### WARNING

**Crushing hazard.**

**Before performing inspections, service or maintenance:**

**Park machine on firm, level surface.**

**Engage parking brake.**

**Turn engine off and remove key.**

**Place “Do Not Operate” tag on control panel.**

### WARNING

**Burn hazard.**

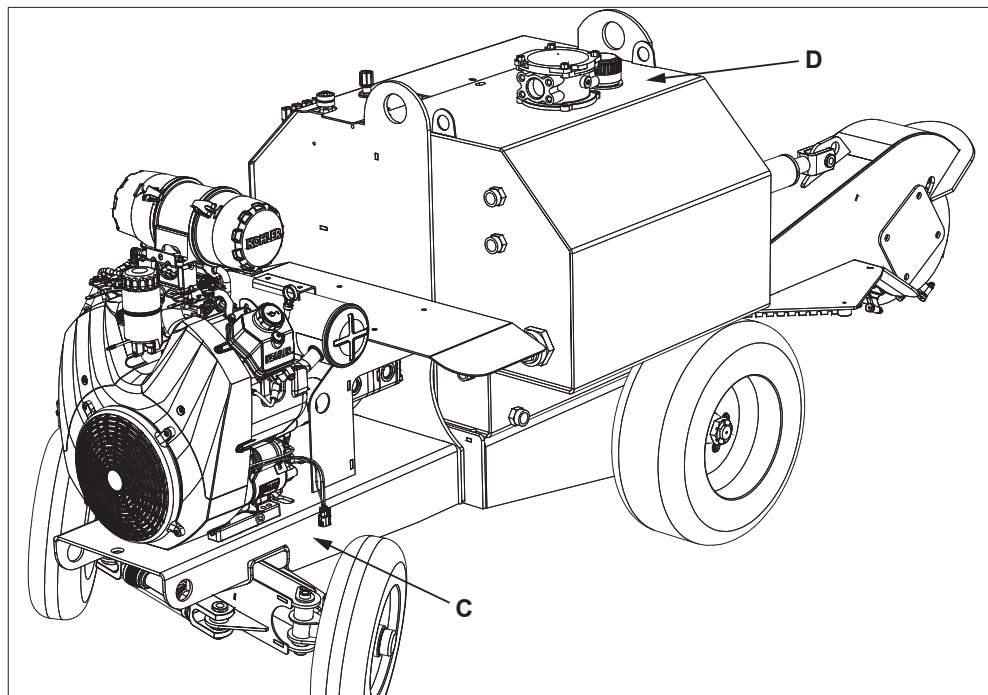
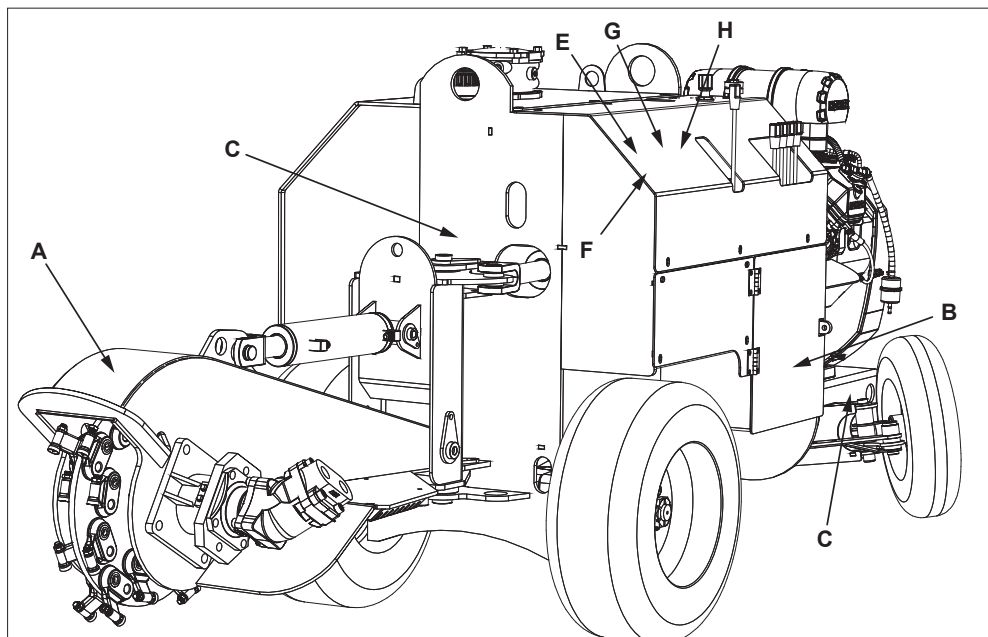
**Hot and high pressure hydraulic oil.**

**Allow oil to cool before servicing.**

### 3 SAFETY DECALS

The two and four panel safety decals are pictorial and have a yellow background. The panel with a triangle indicates the potential hazard. The panel without a triangle indicates how to avoid the hazard.

If any of the decals are missing, are damaged, or if you do not understand the decal, please contact your dealer.



A. D005365 **⚠** WARNING - Rotating blade hazard. Keep back while machine is operating. Wait for blade to stop before approaching machine.



B. D005267




C. D005039 **⚠** WARNING - Rotating blade hazard. Keep back while machine is operating.




D. D005294




- E. D005126  WARNING - Pressurized fluid hazard. Pressurized fluids can penetrate the skin. Do not check for leaks with your hands. Keep back a safe distance when pressurized.

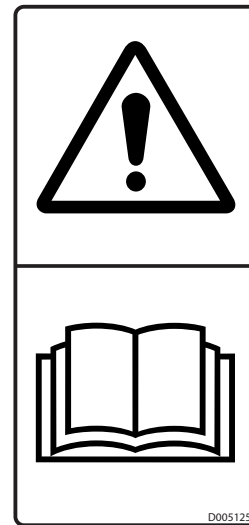



- F. D005262

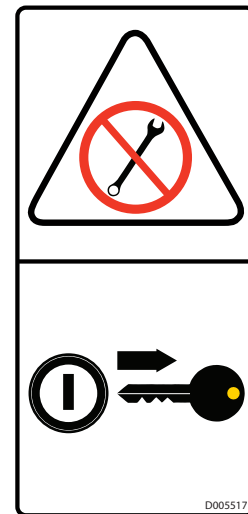
 **WARNING:** This product can expose you to chemicals including 1,3-Butadiene and lead, which are known to the state of California to cause cancer and birth defects or other reproductive harm. For more information go to [www.P65Warnings.ca.gov](http://www.P65Warnings.ca.gov).

D005262

- G. D005125  WARNING - Read and understand safety signs on the machine and operating instructions in this manual before operating machine.

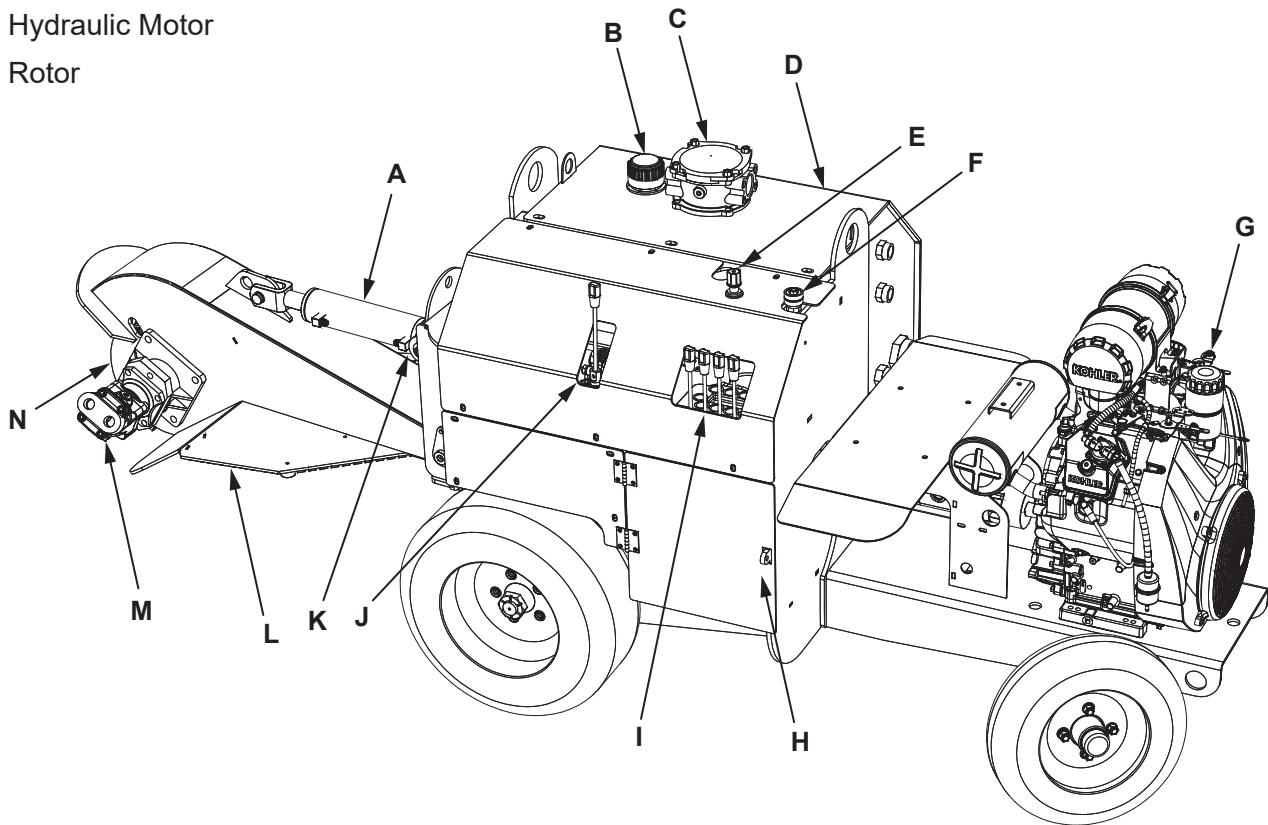


- H. D005517  WARNING - Remove key before servicing.



# 4 Components

- A. Rotor Raise/Lower Hydraulic Cylinder
- B. Hydraulic Oil Reservoir Fill
- C. Hydraulic Oil Filter
- D. Hydraulic Oil Reservoir
- E. Traction Control
- F. Swing And Drive Speed Control
- G. Engine
- H. Engine Fuel Tank
- I. Grinding & Driving Controls
- J. Rotor Control
- K. Rotor Swing Hydraulic Cylinder
- L. Debris Guard
- M. Hydraulic Motor
- N. Rotor



# 5 OPERATION

## 5.1 Pre-Operation Check List

- ⚠ Keep bystanders, livestock, pets, etc away from work area.
- ⚠ Always wear protective equipment appropriate for the job.
- ⚠ Do not operate, work on or around this machine while under the influence of alcohol, drugs or if feeling ill.
- ⚠ Keep clear of moving machinery at all times.
- ⚠ Stop excavator engine before leaving operators area.
- ⚠ It is your responsibility to operate this equipment safely. You must be familiar with the equipment and all safety practices before use.
- ⚠ Do not allow untrained or unqualified people to operate this equipment.

Perform the following checks prior to operation.

- Review and understand this manual and engine operators manual.
- Verify safety decals are installed and legible. Replace if damaged or missing.
- Verify that all hardware is tight.
- Inspect hoses and fittings for wear, damage and leaks. Replace damaged or leaking hoses before use.
- Verify hydraulic oil is at full level on sight glass
- Verify that local utilities have marked all underground utilities.

## 5.2 Carbide Teeth Break-In

During the first few hours of use, avoid hitting stones as much as possible to allow the carbide teeth to wear slightly. This can be done by keeping the cutting wheel above ground level. Brand new carbide tips are razor sharp and can chip and shatter easily when they hit hard objects. Once the razor sharpness has worn away, the tips do not chip as easily. Observing these precautions will extend the life of the carbide teeth and reduce operating expenses.

The teeth bolts must be retightened every ten minutes for the first hour of use on a new stump grinder.

### 5.3 First Time User Tips

First, operate all functions in a clear area with throttle at low idle to get a good feel for the controls before you actually move into any brush.

Slow cutting speed if pressure surges up close to max psi. Doing this will greatly reduce blade stoppage.

Run throttle at half speed for first time users.

Move the stump grinder slowly until you have a better feel how much the unit can take.

The machine is equipped with a front push bar to push brush or small trees over. This will allow the stump grinder teeth to contact the lower portion of the brush and the blade to cut it off.

Each operator must experiment to find a technique that works for them in their application.

#### **WARNING**

**Always turn off excavator and disengage hydraulic drive before getting off the seat and approaching the blade.**

#### **WARNING**

**Wear an approved respirator (N95 Type as a minimum).**

**Follow local, state and federal regulations.**

**The health effects from exposure to wood dust are due to chemicals in the wood or chemical substances in the wood created by bacteria, fungi, or molds.**

### 5.4 Field Operation

#### **WARNING**

**Prevent serious injury or death.**

**Keep clear of moving machinery.**

#### **WARNING**

**Prevent serious injury or death.**

**Engine exhaust contains carbon monoxide. Carbon monoxide is an odorless gas that can cause death.**

**Avoid any areas or actions that expose you or others to carbon monoxide.**

#### **WARNING**

**Clean machine thoroughly before service or maintenance procedures.**

**The health effects from exposure to wood dust are due to chemicals in the wood or chemical substances in the wood created by bacteria, fungi, or molds.**

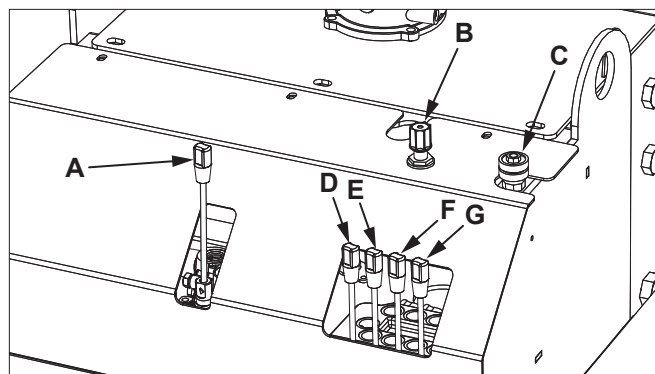
#### **WARNING**

**Never operate stump grinder when other people are in the vicinity. Debris can be thrown several feet from cutting area.**

**Keep all shields in place.**



## Operator Controls



- A. Rotor Engage/Disengage
- B. Traction Control
- C. Swing & Drive Speed Control
- D. Rotor Swing Control
- E. Rotor Lift Control
- F. Steering Control
- G. Drive Control

## Grinding A Stump

### **⚠ WARNING**

**Prevent serious injury or death.**

**Keep clear of moving machinery.**

1. Start stump grinder engine. See OEM engine manual for safety, prestart and operational information.
2. Set engine speed at high idle.
3. Adjust stump grinder swing speed. Rotate swing & drive speed control (C) counter clockwise to slow setting. It is recommended to start at the slow setting and adjust speed up as desired.
4. Rotate traction control (B) fully clockwise to lock drive wheels together. Rotate control counter clockwise to allow steering.
5. If the stump is on a grade, position stump grinder lower on the grade with the cutting wheel on the stump grinder higher up the grade.
6. Position stump grinder up to the front edge of the stump using levers (F) and (G).
7. Check position of the stump grinder to the stump. Verify stump grinder is positioned at the edge of the stump that is closest to the stump grinder.
8. Verify rotor is close to, but not touching stump. Adjust rotor height with lift control lever (E).
9. Engage rotor with lever (A).
10. Use lift lever (E) and swing lever (D) to direct the rotor. Make the first pass across front edge of stump, moving the cutting wheel from side to side in 3-6 inch passes.
11. Continue to take passes across the front edge of the stump, taking 3-6 inches on each pass.
12. When ground level is reached, continue to grind up to 12 in. (305 mm) below the surface to the bottom of the stump where the roots branch out.
13. Lift rotor and swing it to right or left side. Back the stump grinder up slightly to position the stump grinder beside the new front edge of the stump.
14. Make multiple passes over the front edge of the stump, taking 3-6 inches on each pass.
15. Reposition stump grinder as needed until the entire stump has been removed to below ground level.
16. Follow the roots, taking as much of the larger surface roots as possible. If these are not removed they can, over time, protrude from the ground in areas where there is a heavy freeze/thaw cycle.
17. Move stump grinder away from stump to a flat surface and set engine speed at low idle.
18. Stop stump grinder engine.

# 6 SERVICE And MAINTENANCE

## 6.1 Maintenance

Item	Daily Before Use	Every 4 Hours	Every 30 Hours	Weekly	Every 100 Hours	Every 200 Hours	Every 500 Hours	Every 2000 Hours
Check hoses and fittings for leaks.	•							
Check cutting teeth for wear. Rotate or replace cutting teeth as necessary.		•						
Lubricate pivot point grease fittings.			•					
Check rotor bearings for side-to-side and up/down movement. Replace bearing if movement is found.				•				
Change engine oil filter.					•			
Change engine air filter.					•			
Change engine oil and filter.						•		
Change hydraulic oil filter.							•	
Change hydraulic oil and filter.								•

### WARNING

**Moving parts can crush and cut.**

**Keep clear of moving components.**

**Lockout operating engine controls before performing inspections or maintenance.**

### WARNING

**Prevent serious injury or death.**

**Wear proper protective equipment appropriate for the job.**

## 6.2 Inspections

Inspect the unit for any buildup of contamination (dirt, stones, etc.).

Check cutting teeth every 4 hours of use. Replace cutting teeth as needed. Unit will cut faster and remaining teeth will last longer if broken teeth are replaced.

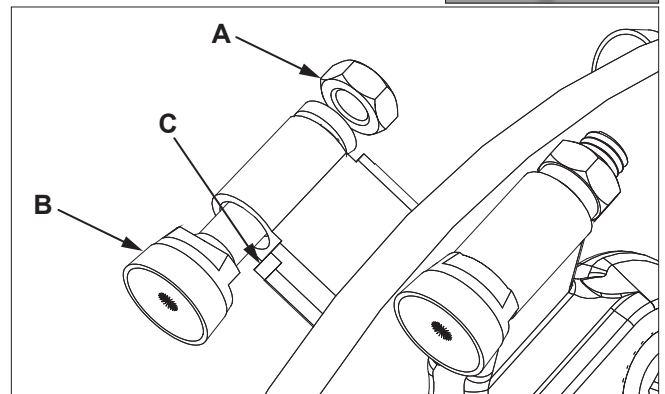
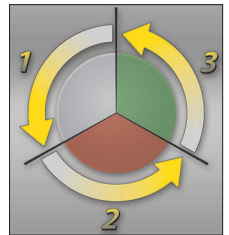
Inspect hydraulic hoses for damage and wear.

## 6.3 Rotate Cutting Teeth

Check cutting teeth every 4 hours of use. Keep cutting teeth in good condition. Unit will cut faster and remaining teeth will last longer if broken or worn teeth are replaced.

Each tooth can be rotated up to two times from its original position before replacement is necessary.

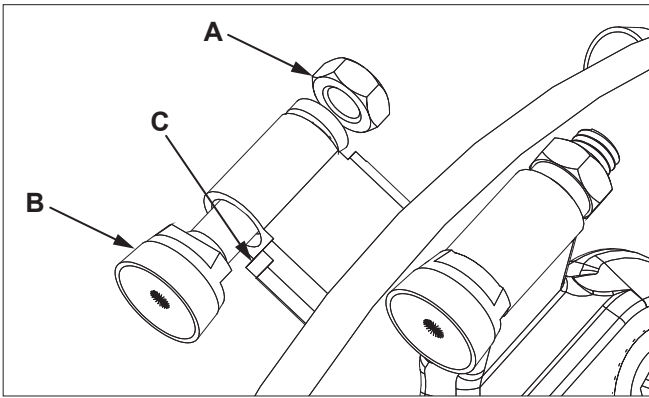
1. Park stump grinder on a level surface.
2. Lower rotor to the ground.
3. Shut off engine and lockout engine controls.
4. Inspect teeth for wear on top edge. Once outside cutting edge is worn, rotate tooth so a new edge is on top (cutting) edge.
5. Loosen locknut (A) on tooth (B) and rotate tooth 1/3 turn. Flat shoulder on tooth will fit against shoulder (C) on tooth holder.
6. Tighten locknut (A) to 20 lb/ft (27 Nm) of torque.



**Note:** Parts breakdown can be found on Baumalight's website. [www.baumalight.com](http://www.baumalight.com)

## 6.4 Replace Cutting Teeth

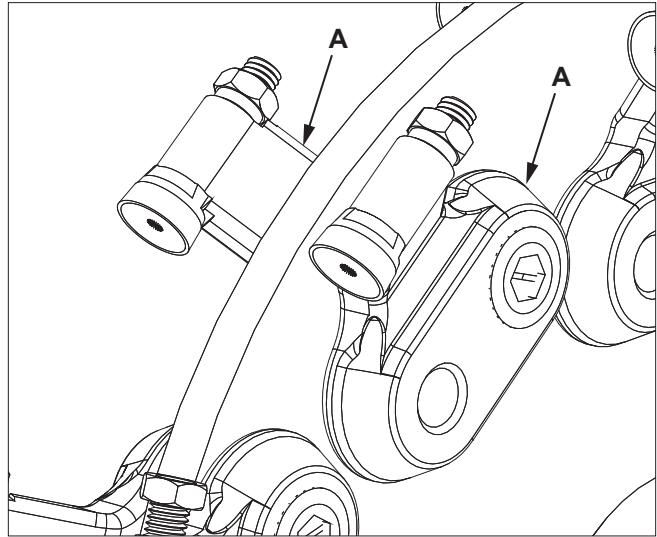
1. Park stump grinder on a level surface.
2. Lower rotor to the ground.
3. Shut off engine and remove key.
4. Inspect cutting teeth (B) for damage and wear. Replace individual teeth as needed.
5. Remove locknut (A) and spacer from tooth (B). Install new tooth. Flat shoulder on tooth will fit against shoulder (C) on tooth holder.
6. Install spacer and locknut. Tighten locknut (A) to 20 lb/ft (27 Nm) of torque.



**Note:** Parts breakdown can be found on Baumalight's website. [www.baumalight.com](http://www.baumalight.com)

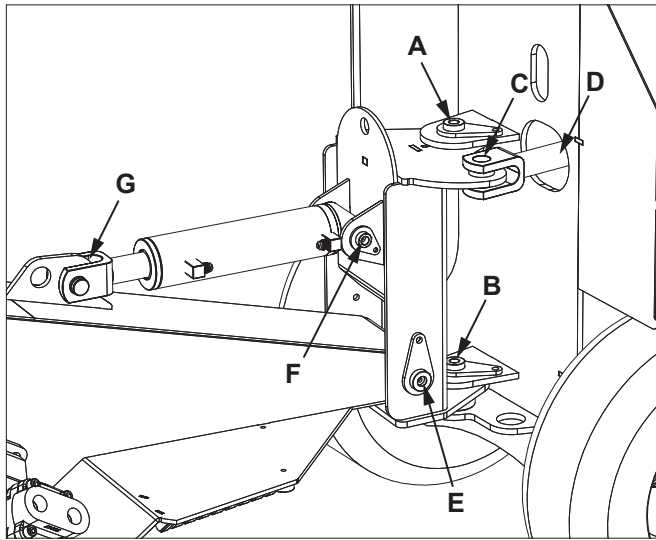
## 6.5 Replace Tooth Holder

1. Park stump grinder on a level surface.
2. Lower rotor to the ground.
3. Shut off engine and remove key.
4. Inspect tooth holders (A) for damage and wear. Replace individual tooth holders as needed.
5. Remove tooth from tooth holder.
6. Remove mounting hardware on tooth holders. Install new tooth holder and tighten mounting hardware.
7. Install tooth into new tooth holder. Tighten tooth locknut to 20 lb/ft (27 Nm) of torque.

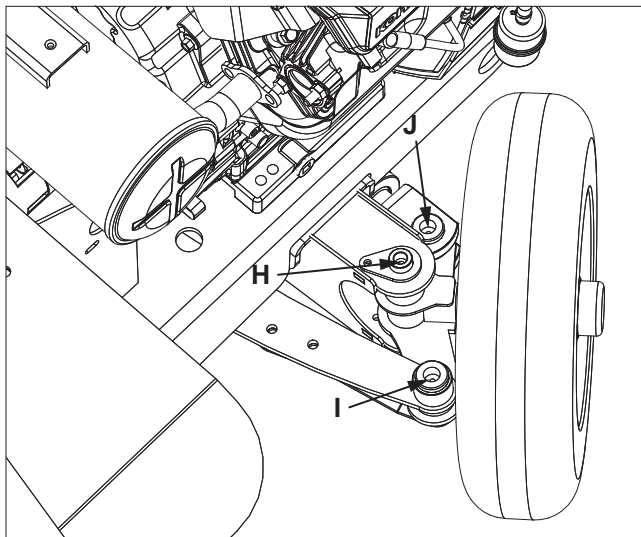


## 6.6 Lubrication

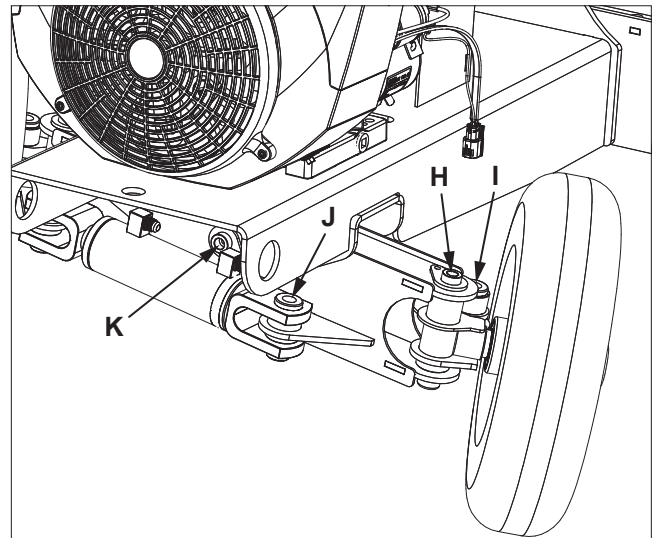
1. Lubricate swing pivot pins (A), (B), (C) and base end pin of cylinder (D) every 30 hours.
2. Lubricate raise/lower pivot pin (E) and cylinder pins (F) and (G) every 30 hours.



3. Lubricate axle king pins (H), tie rod pins (I) and steering cylinder pins (J) every 30 hours.



4. Lubricate axle pivot pin (K) every 30 hours.



# 7 TROUBLESHOOTING

Problem	Probable Cause	Solution
Rotor does not spin.	Rotor jammed.	Lock out power and clear debris from rotor.
	Low hydraulic oil level.	Check hydraulic oil level. Add if necessary.
	Low hydraulic oil flow.	Have a qualified hydraulic technician check hydraulic oil flow.
Rotor rotates slow or sluggish.	Low hydraulic oil level.	Check hydraulic oil level. Add if necessary.
	Oil hydraulic filter plugged.	Replace hydraulic oil filter.
	Relief valve not set properly.	Have a qualified hydraulic technician set relief valve.
	Low hydraulic oil flow.	Have a qualified hydraulic technician check hydraulic oil flow.
Excessive vibration.	Insufficient hydraulic pressure.	Check hydraulic oil level. Add as needed.
	Debris lodged in rotor.	Lock out power and clear debris from rotor.
Smoke emitting from engine exhaust pipe.	Dirty or clogged engine air filter.	Change engine air filter.

## 8 STORAGE

### 8.1 Storing Stump grinder

1. Store stump grinder in a dry place.
2. Clean stump grinder thoroughly. Dirt and wood chips will draw moisture and cause rust.
3. Check condition of cutting teeth. Replace as necessary. (See Service and Maintenance section.)
4. Check for loose or missing hardware.
5. Paint parts as necessary.

### 8.2 Remove Stump grinder From Storage

1. Review Operator's Manual.
2. If parts have been replaced, verify they operate properly.

# 9 WARRANTY

This product is warranted to be free of defects in materials and workmanship under normal use and service, for a period of one year from the date of purchase, when operated and maintained in accordance with the Operating and Maintenance Instructions supplied with this unit. This warranty does not cover misuse or negligence.

Under no circumstances will the manufacturer be liable for any consequential damage or expense of any kind, including loss of profits. The manufacturer is under no circumstances liable for excavator damage of any kind. The manufacturer is not liable for the maintenance of the product.

This warranty is extended only to the original purchaser.

If a difficulty develops with the product, you should contact your nearest Authorized Repair Center, or distributor. Only these locations are authorized to make repairs to the product or affect the replacement of defective parts, which will be done at no charge within a reasonable time after the receipt of the product. Units or parts should be returned at the customer's expense to the nearest repair location or Authorized Service Center. Pack unit in a strong carton and pad tightly to avoid damage. Damage in-transit is not covered by warranty. Include original purchase receipt with any claim (keeping a copy for your files).

The Manufacturer's Liability is limited to repair of the product and/or replacement of parts and is given to the purchaser in lieu of all other remedies including incidental and consequential charges. There are no warranties, expressed or implied other than those specified herein. For the nearest Authorized Service Center call the manufacturer.

Please note the following details and file this information in an appropriate place.

Model Number: \_\_\_\_\_ S/N: \_\_\_\_\_

Date of Purchase: \_\_\_\_\_ Owner's Name \_\_\_\_\_

For parts, specifications and the latest machine information please visit our website.

[www.baumalight.com](http://www.baumalight.com)

MTB MFG INC.  
CORPORATE HEADQUARTERS  
4575 Powell Rd.,  
Wallenstein, Ontario Canada  
N0B 2S0  
Phone - 519.698.9864  
Toll Free - 866.820.5603  
Fax - 519.698.1087  
[www.baumalight.com](http://www.baumalight.com)

