



BAUMALIGHT™

MX230 And MX330 Brush Mulcher

OPERATOR'S MANUAL

Issue Date: May 2024

TABLE OF CONTENTS

1 INTRODUCTION	4
1.1 Overview	4
1.2 Intended Use And Foreseeable Misuse	4
2 SAFETY	5
2.1 Safety Alert Symbol And Safety Words	5
2.2 Operational Hazards	5
Prepare For Emergencies	6
Replace Safety Signs	6
Do Not Allow Riders	6
Lower Operating Speed	6
Avoid Rollover	7
Avoid Powerlines & Underground Utilities	7
Detach Brush Mulcher Safely	7
Hazards From Modifying Equipment	8
2.3 Maintenance Hazards	9
3 SAFETY SIGNS	10
4 OPERATION	12
4.1 Preparation For Use	12
4.1.1 EXCAVATOR ADAPTER	12
4.2 Hydraulics	13
4.3 Machine Components	13
4.4 Pre-Operation Check List	13
4.5 Attach Brush Mulcher	14
4.6 Detach Brush Mulcher	14
4.7 Transporting	15
4.8 Carbide Teeth Break-In	15
4.9 First Time User Tips	16
4.10 Field Operation	16
4.11 Clearing Jams	17
5 SERVICE AND MAINTENANCE	18
5.1 Maintenance	18
5.2 Inspections	18
5.3 Motor Shaft Seal	19
5.4 Check Belt Tension	19
5.5 Replace Belt	20
5.6 Lubricate Rotor Bearings	22
5.7 Rotate Cutting Teeth MX330	23
5.8 Replace Cutting Teeth MX230	23
5.9 Replace Cutting Teeth MX330	24
5.10 Replace Tooth Holder MX330	24
6 TROUBLESHOOTING	25
7 STORAGE	26
7.1 Storing Mulcher	26
7.2 Remove From Storage	26
BAUMALIGHT ATTACHMENT WARRANTY	27

1 INTRODUCTION

1.1 Overview

Congratulations on your choice of a Baumalight Brush Mulcher to complement your mulching operation. This equipment has been designed and manufactured to meet the needs of a discriminating buyer.

The rotor is hydraulic powered by the hydraulic system on your excavator

Replaceable bearings are provided at major pivot points for extended service life.

Safe, efficient and trouble free operation of your brush mulcher requires that you and anyone else who will be operating or maintaining the brush mulcher, read and understand the Safety, Operation, Maintenance and Troubleshooting information contained within the Operator's Manual.

This manual covers the MX230 and MX330 Baumalight Brush Mulchers. Use the Table of Contents as a guide to locate required information.

Keep this manual handy for frequent reference and to pass on to new operators or owners. Call your Baumalight dealer, distributor or the factory if you need assistance, information or additional copies of the manuals.

When this machine is worn out and no longer in use, it should be returned to the retailer or other party for recycling.

OPERATOR ORIENTATION - The directions left, right, front and rear, as mentioned throughout this manual, are as seen from the excavator driver's seat and facing in the direction of travel.

1.2 Intended Use And Foreseeable Misuse

The brush mulcher is designed to be used by experienced operators, trained in the safe operation of a excavator and trained in the hazards related to using the brush mulcher and the safe use of the mulcher for the intended purpose. Operators will require personal protective equipment to reduce the risk from some hazards that cannot be completely eliminated or controlled by the design of the tool.

Care is required to ensure that the brush mulcher tool will not come across metallic objects, stones or other materials.

Brush mulcher tools are not designed for use in hazardous atmospheres where there is a risk of fire or explosion due to flammable gases or vapors. Use in hazardous, explosive atmospheres is prohibited.

Serious injury or death of the operator or bystanders may be caused if the tool is misused. Misuse may also cause damage to the machine carrying the implement.

2 SAFETY

2.1 Safety Alert Symbol And Safety Words

You must read, understand and follow the instructions given by the operating unit manufacturers, as well as the instructions in this manual.

The safety information in this manual is denoted by the safety alert symbol:



This symbol means ATTENTION! BECOME ALERT! YOUR SAFETY IS INVOLVED!

The level of risk is indicated by the following signal words:


 DANGER
DANGER - Indicates a hazardous situation, which, if not avoided, WILL result in death or serious injury.


 WARNING
WARNING - Indicates a hazardous situation, which, if not avoided, could result in death or serious injury.


 CAUTION
CAUTION - Indicates a hazardous situation, which, if not avoided, could result in minor or moderate injury.

NOTICE
NOTICE - Indicates a situation that could result in damage to the equipment or other property.

2.2 Operational Hazards

 WARNING
Prevent serious injury or death.
Read and understand this manual before operating brush mulcher.
Always stop engine and remove key before leaving operators seat.
Never allow anyone near the brush mulcher during operation.
Travel at a safe speed.

 WARNING
Prevent serious injury or death from moving parts.
Moving parts can crush and dismember.
Do not operate without guards and shields in place.
Disconnect and lock out power source before adjusting or servicing.

 WARNING
Use brush mulcher only for the designed applications.
Any other use may result in personal injury, damage to equipment and may void the warranty.



WARNING

Prevent serious injury or death.

Verify brush mulcher is attached to excavator before operation or transport.



WARNING

Protect from flying debris.

Wear proper safety glasses, goggles, or a face shield to protect from flying debris.

Carefully read all safety messages in this manual and on equipment safety signs. Keep safety signs in good condition and replace missing or damaged safety signs.

New equipment components and repair parts must include the current safety decal.

Learn how to properly operate equipment. NEVER operate or work around this equipment without proper instruction, while fatigued or under the influence of alcohol, prescription or non-prescription medication or if feeling ill.

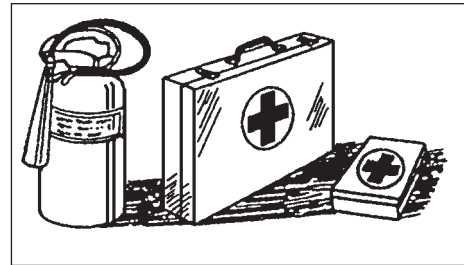
Keep your equipment in proper working condition.

Know the regulations and laws that apply to you and your industry. This manual is not to replace any regulations or laws. Additional information may be found at: www.asae.org or www.osha.gov.

If you do not understand any part of this manual, contact Baumalight at 866-820-7603.

Prepare For Emergencies

- Be prepared in case of emergencies.
- Keep a fire extinguisher and first aid kit close to the machine.
- Keep emergency phone numbers close to your phone.
- Know your address so emergency services can locate you if an emergency arises.



Replace Safety Signs

- Replace missing or damaged safety signs.
- Safety signs are identified in Section 3 of this manual.
- Replacement safety signs are available from your Baumalight dealer.

Do Not Allow Riders

- NEVER lift or carry anyone with brush mulcher.
- NEVER use brush mulcher as a work platform.
- NEVER allow passengers on brush mulcher.

Lower Operating Speed


- Lower operating speed while loading, unloading or performing heavy operations.
- Keep load low and move at slow speeds on rough or uneven terrain.

Avoid Rollover

The equipment may rollover, resulting in death or serious injury. To help prevent rollover:

- Travel at a slow speed.
- Avoid sharp turns & sudden movement on slopes.
- Carry loads close to the ground.
- Avoid holes, ditches and other obstructions which may cause equipment to rollover.
- Balance load so weight is evenly distributed and load is stable.
- Use caution when operating on slopes and do not operate on excessively steep slopes.
- Do not exceed load capacity of equipment.

Avoid Powerlines & Underground Utilities

 DANGER
Prevent electrocution.
Death or serious injury can result if equipment comes near or contacts power lines.
Electrocution can occur without direct contact.

Check clearance before raising equipment.


DO NOT leave the operator's seat if any part of the equipment contacts electric lines or cables.

Detach Brush Mulcher Safely

Detach brush mulcher on a firm and level surface. Brush mulcher may fall over if detached on sloping or soft surface. Be sure people, livestock and pets are clear of machinery.

Relieve hydraulic pressure before disconnecting hydraulic hoses. See your excavator Operator's Manual.

Raised Attachment


 WARNING
Crushing hazard.
Raised, unsupported brush mulcher can fall, resulting in death or serious injury.
Never enter the area under a raised brush mulcher.

A raised brush mulcher can lower unexpectedly, resulting in death or serious injury.

NEVER enter area under a raised brush mulcher.

Lower brush mulcher to ground, engage parking brake, shut off engine and remove key before servicing.

Avoid Loud Noise

 WARNING
Prolonged exposure to loud noise can cause impairment or loss of hearing.
Wear a suitable hearing protective device such as earmuffs or earplugs to protect against objectionable or uncomfortable loud noises.

Hazards From Modifying Equipment

Do not make any alterations to your brush mulcher. Altering the equipment may cause unsafe conditions and may void the manufacturer's warranty.

Avoid Wood Dust Inhalation

WARNING

Drilling, sawing, sanding or machining wood products can expose you to wood dust, a substance known to the State of California to cause cancer.

Avoid inhaling wood dust or use a dust mask or other safeguards for personal protection. For more information go to www.P65Warnings.ca.gov/wood.

WARNING

Wear an approved dust mask or respirator.

Follow local, state and federal regulations.

Avoid High Pressure Fluids

WARNING

Wear an approved respirator (N95 Type as a minimum).

Follow local, state and federal regulations.

Escaping fluid under pressure can penetrate the skin causing serious injury.

Prevent the hazard by relieving pressure (See excavator Operator's Manual.) before connecting or disconnecting hydraulic lines. Verify all connections are tight before applying pressure.

Search for leaks with a piece of cardboard or wood.

Protect hands and body from high pressure fluids.

If an accident occurs, see a doctor immediately. Any fluid injected into the skin must be surgically removed within a few hours or serious infection may result.

2.3 Maintenance Hazards

Before servicing, park machine on a firm and level surface, set parking brake, chock wheels, and place a “Do Not Operate” tag on control panel. Read and understand this manual. If you do not understand any part of the manual, contact Baumalight at 866-820-7603.

Always wear face and/or eye protection, safety shoes, and other protective equipment appropriate for the job.

Do not make unauthorized modifications. Contact Baumalight at 866-820-7603 before you weld, cut/drill holes, or make any other modifications.

Always use Baumalight replacement parts.

WARNING

Moving parts can crush and cut.

Keep clear of moving components.

Follow lockout procedure before servicing.

WARNING

Entanglement hazard.

Keep clear of moving components.

Wear proper protective equipment appropriate for the job.

WARNING

Burn hazard.

Hot and high pressure hydraulic oil.

Allow oil to cool before servicing.

WARNING

Crushing hazard.

Before performing inspections, service or maintenance:

Park machine on firm, level surface.

Engage parking brake.

Turn engine off and remove key.

Place “Do Not Operate” tag on control panel.

WARNING

Drilling, sawing, sanding or machining wood products can expose you to wood dust, a substance known to the State of California to cause cancer.

Avoid inhaling wood dust or use a dust mask or other safeguards for personal protection. For more information go to www.P65Warnings.ca.gov/wood.

WARNING

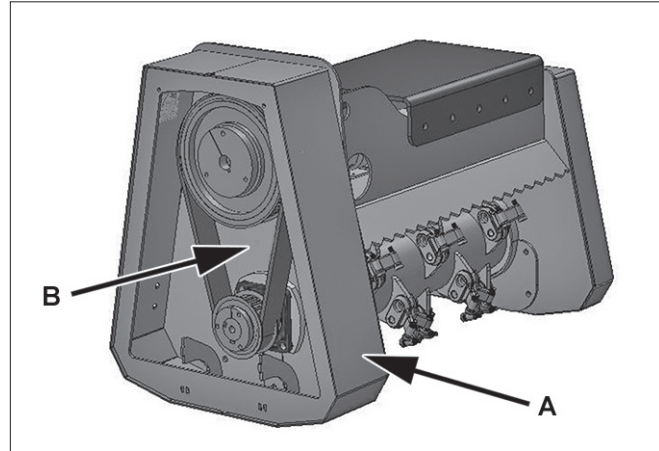
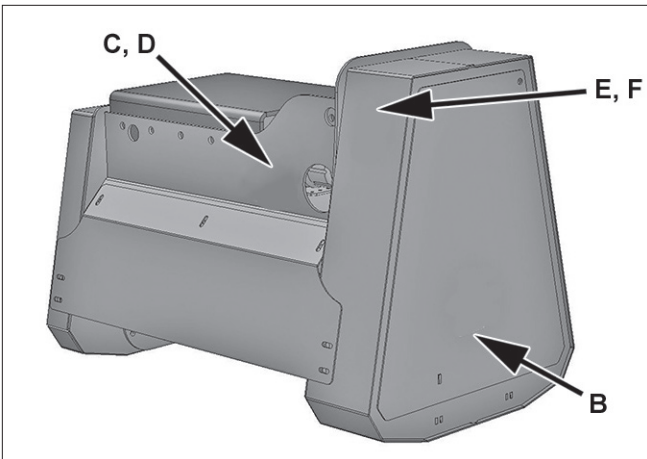
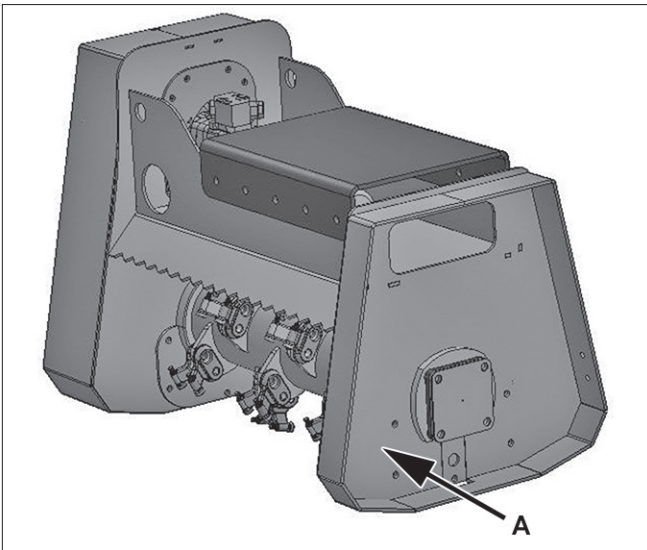
Wear an approved dust mask or respirator.


Follow local, state and federal regulations.

3 SAFETY SIGNS

The two and four panel safety decals are pictorial and have a yellow background. The panel with a triangle indicates the potential hazard. The panel with a triangle indicates the potential hazard. The panel without a triangle indicates how to avoid the hazard.

If any of the decals are missing, are damaged, or if you do not understand the decal, please contact your dealer. Dashed line indicates item hidden from view unless cover is removed.



A. D005223  WARNING - Rotating blade hazard. Keep back 75 m while machine is operating. Wait for blade to stop before approaching machine



- B. D005129 **⚠** WARNING - Rotating parts hazard. Do not reach into machine. Keep away from machine.



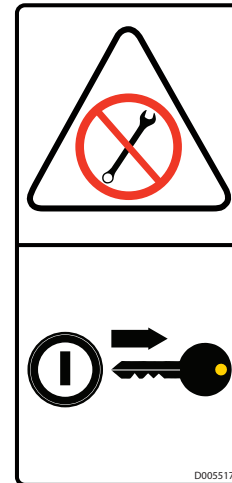
- C. D005126 **⚠** WARNING - Pressurized fluid hazard. Pressurized fluids can penetrate the skin. Do not check for leaks with your hands. Keep back a safe distance when pressurized.



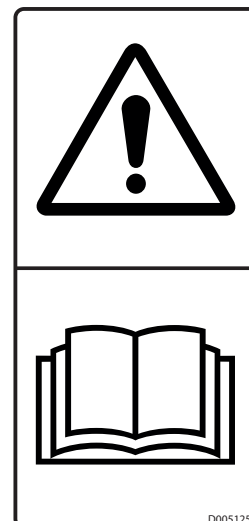
- D. D005262 **⚠** WARNING - P65 warning information.

⚠ **WARNING:** This product can expose you to chemicals including 1,3-Butadiene and lead, which are known to the state of California to cause cancer and birth defects or other reproductive harm. For more information go to www.P65Warnings.ca.gov.

- E. D005517 **⚠** WARNING - Remove key before servicing.



- F. D005125 **⚠** WARNING - Read and understand safety signs on the machine and operating instructions in this manual before operating machine.



4 OPERATION

4.1 Preparation For Use

WARNING

Drilling, sawing, sanding or machining wood products can expose you to wood dust, a substance known to the State of California to cause cancer.

Avoid inhaling wood dust or use a dust mask or other safeguards for personal protection. For more information go to www.P65Warnings.ca.gov/wood.

WARNING

Wear an approved dust mask or respirator.

Follow local, state and federal regulations.

Although the brush mulcher has been carefully inspected and checked prior to shipment from manufacturer, it is recommended that the unit be thoroughly inspected.

Check all bolts for tightness and remove all shipping tags, bags, skids, and blocking.

Review and understand this manual and operating unit manual.

Remove any masking materials affixed during painting. Inspect the excavator and any accessory equipment to verify that nameplates and all safety warning, caution signs and decals provided with the equipment are in place and clearly visible.

Visually inspect the unit before each start up. Check for loose or missing parts and any damage that may have occurred during moving or shipping.

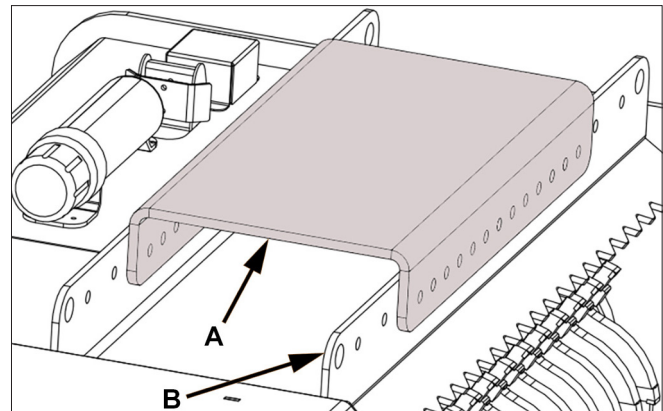
Review all excavator pre-start instructions, and be sure that all recommended steps and procedures have been followed.

Note: Always keep the weight of the machine in mind. Never position body in line of impact.

4.1.1 Excavator Adapter

1. Install excavator adapter (A) on either side of machine mounting bracket (B) as shown.
2. Install and tighten mounting hardware. Tightening the mounting hardware will pull the flanges into place.

Note: Excavator adapter design may vary but the mounting procedure is the same.



4.2 Hydraulics

WARNING

Pressurized fluids can penetrate the skin.

Disconnect and lock out power source before disconnecting and/or connecting hydraulic hoses.

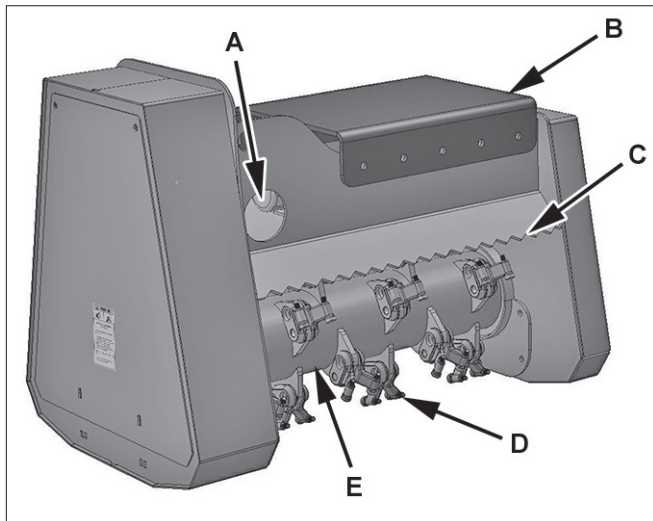
Baumalight does not provide the hydraulic pressure and return hoses that connect to control valve, and motor case drain hose to excavator.

The installer must determine a safe routing for the hydraulic hoses to prevent damage.

Installer provided hoses are not covered by the Baumalight warranty.

4.3 Machine Components

- A. Operators Manual Storage Tube
- B. Adapter Plate
- C. Safety Push Bar
- D. Cutting Teeth
- E. Rotor



4.4 Pre-Operation Check List

Check these items:	Frequency
Verify that mulcher is properly attached to excavator.	Each operation.
Verify that hydraulic hoses are connected to excavator hydraulic couplers.	Each operation.
Verify the cutting tips on the rotor are tight.	Every 4 hours.
Check belt chamber.	Every 4 hours.

4.5 Attach Brush Mulcher

WARNING

To prevent injury or machine damage put transmission in Park.

Never position yourself between excavator and brush mulcher.

Only experienced and properly trained operator's should operate the excavator and brush mulcher.

1. Read and follow all safety instructions.
2. Attach excavator to mulcher. See excavator Operator's Manual.
3. Verify pins are secure in the correct position.
4. Connect hydraulic hoses. Verify hydraulic hoses are clear of pinch areas and moving parts.
5. Move to a clear open area to test functions.

4.6 Detach Brush Mulcher

WARNING

Prevent serious injury or death caused by unexpected movement:

1. Park excavator on a level surface.
2. Engage park brake.
3. Disengage hydraulic drive.
4. Shut off engine and remove key.

1. Park excavator on a level surface.
2. Lower mulcher to the ground.
3. Shut off engine and remove key.
4. Disconnect hydraulic hoses.
5. Detach excavator from mulcher. See excavator Operator's Manual.

4.7 Transporting



DANGER

Prevent electrocution.

Death or serious injury can result if equipment comes near or contacts power lines.

Electrocution can occur without direct contact.

Check clearance before raising equipment.

DO NOT leave the operator's seat if any part of the equipment contacts electric lines or cables.

1. Verify all reflectors and Slow Moving Vehicle (SMV) sign are visible.
2. Carry mulcher low.
3. Verify hydraulics are disengaged.
4. Travel at a reasonable and safe speed.



WARNING

To prevent bodily injury from rotating cutting wheel, be sure to disengage hydraulic drive before transporting mulcher.

4.8 Carbide Teeth Break-In

During the first few hours of use, avoid hitting stones as much as possible to allow the carbide teeth to wear slightly. This can be done by keeping the cutting wheel above ground level.

Brand new carbide tips are razor sharp and can chip and shatter easily when they hit hard objects. Once the razor sharpness has worn away, the tips do not chip as easily.

Observing these precautions will extend the life of the carbide teeth and reduce operating expenses.

4.9 First Time User Tips

- First, operate all functions in a clear area with the excavator at idle speed to get a good feel for the controls before you actually move into any brush.
- Choose low density brush and move into it slowly, do not expect to get the first area done fast.
- Slow travel speed if pressure surges up close to max psi, doing this will greatly reduce rotor jams, and with practice, will almost eliminate jams.
- Operate with mulcher slightly raised until you have a better feel how much the unit can take.

WARNING

Always turn off the excavator and disengage the hydraulic drive before getting off the seat and approaching the cutting wheel.

WARNING

Drilling, sawing, sanding or machining wood products can expose you to wood dust, a substance known to the State of California to cause cancer.

Avoid inhaling wood dust or use a dust mask or other safeguards for personal protection. For more information go to www.P65Warnings.ca.gov/wood.

WARNING

Wear an approved dust mask or respirator.

Follow local, state and federal regulations.

4.10 Field Operation

WARNING

Prevent serious injury or death caused by unexpected movement:

1. Park excavator on a level surface.
2. Engage park brake.
3. Disengage hydraulic drive.
4. Shut off engine and remove key.

WARNING

Never operate brush mulcher when other people are in the vicinity.

Do not allow riders on excavator.

WARNING

Clean machine thoroughly before service or maintenance procedures.

The health effects from exposure to wood dust are due to chemicals in the wood or chemical substances in the wood created by bacteria, fungi, or molds.



WARNING

Never operate brush mulcher when other people are in the vicinity. Debris can be thrown several feet from cutting area. Keep all shields in place.

1. Attach brush mulcher to excavator. See Attaching Brush Mulcher in this section.
2. Lower mulcher so skid plates are on ground.
3. Set engine speed to low idle and engage mulcher.
4. Slowly increase engine speed to high idle. Verify mulcher is operating smoothly and start travel.
5. If mulcher stalls, stop movement, slightly raise mulcher and allow rotor to regain speed. Slow ground speed to prevent further stalling.



WARNING

Moving parts can crush and cut.

Keep clear of moving components.

Lockout operating unit before clearing jams.



WARNING

Never approach brush mulcher before cutting wheel has come to a complete stop.

4.11 Clearing Jams

If the rotor stalls, stop rotor motion, raise slightly and try again.

1. MX330 Only: If still stalled, lower unit so teeth tips dig slightly into sod, a log or stump.
2. Reverse hydraulic flow to mulcher. Reversing the flow does not power the rotor in the reverse direction, it only opens the hydraulic lock on the rotor. The rotor will not be powered in the reverse direction.
3. Drag the rotor across sod, a log or stump in reverse direction to dislodge the jam.



WARNING


Always turn off the excavator and disengage hydraulic drive before getting off the seat and approaching the cutting wheel.

5 SERVICE AND MAINTENANCE

5.1 Maintenance


Maintenance Chart		
General Inspection	Inspect the unit for any buildup of contamination (dirt, stones, etc.).	Daily
Cutting Teeth	Check and rotate or replace one at a time as necessary. With daily use expect to replace 4 to 6 teeth per day. (See Replace Cutting Teeth in this section.)	Every 4 hours.
Rotor Bearings	Lubricate rotor bearings.	Every 500-1000 hours.

5.2 Inspections

 **WARNING**

Prevent serious injury or death caused by unexpected movement:

1. Park excavator on a level surface.
2. Engage park brake.
3. Disengage hydraulic drive.
4. Shut off engine and remove key.

 **WARNING**

Drilling, sawing, sanding or machining wood products can expose you to wood dust, a substance known to the State of California to cause cancer.

Avoid inhaling wood dust or use a dust mask or other safeguards for personal protection. For more information go to www.P65Warnings.ca.gov/wood.

 **WARNING**

Wear an approved dust mask or respirator.

Follow local, state and federal regulations.

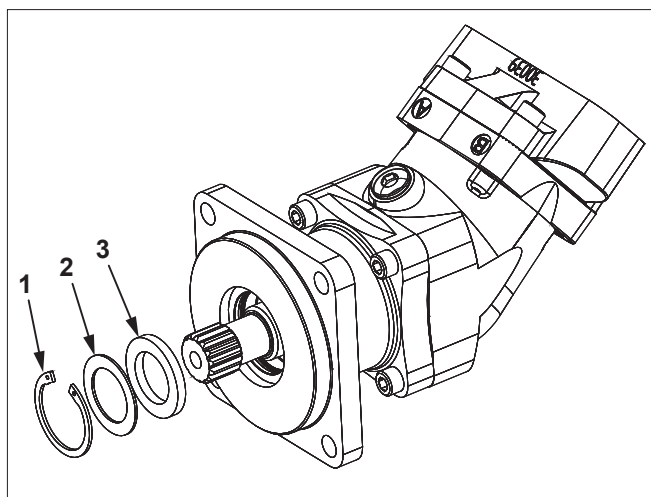
Inspect the unit for any buildup of contamination (dirt, stones, etc.).

Check cutting teeth every 4 hours of use. Keep cutting teeth in good condition. Unit will cut faster and remaining teeth will last longer if broken teeth are replaced.

5.3 Motor Shaft Seal

To prevent hydraulic motor damage, the motor shaft seal is designed to fail if case pressure exceeds 100 psi (689 kPa).

If motor shaft seal (A) has failed, verify case drain line is free flow to sump or reservoir. Also check drain line for blockage. Correct any problems before replacing shaft seal.



Order replacement seal kit from Baumalight and follow instructions provided with kit.

Motor Shaft Seal Replacement manual can be found at www.baumalight.com/support

Note: Parts breakdown can be found on Baumalight's website. www.baumalight.com

5.4 Check Belt Tension

1. Lower mulcher to ground.
2. Set parking brake, stop engine and remove key.

WARNING

Moving parts can crush and cut.

Keep clear of moving components.

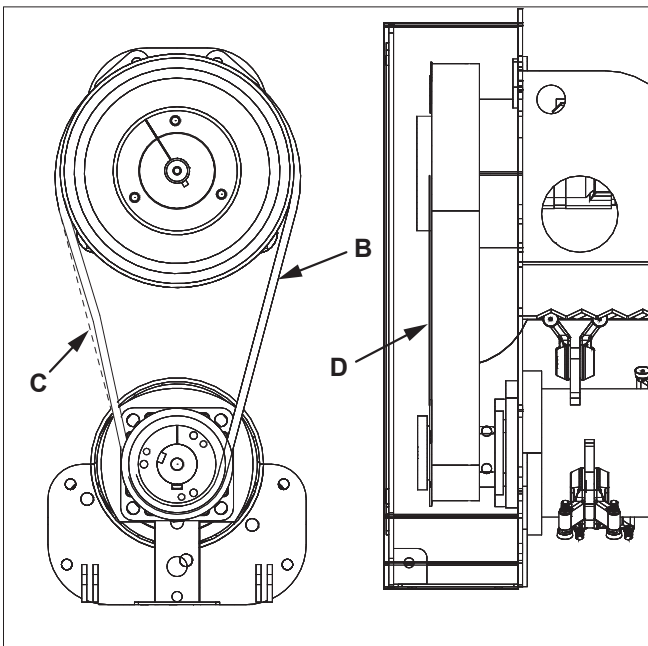
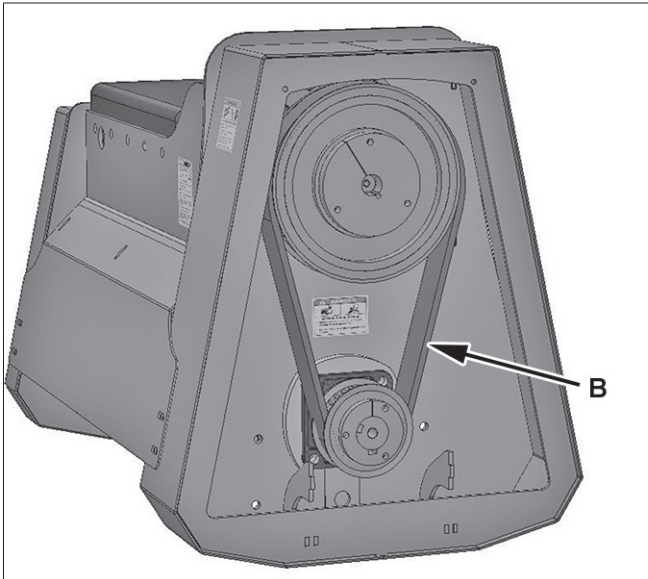
Follow lockout procedure before servicing.

3. Open inspection cover (A).



4. Inspect belt (B) for wear, damage, alignment and proper tension.
5. Loosen hydraulic motor mounting bracket and adjust tension bolts to set belt tension.
6. Tighten motor mounting bracket. Belt deflection (C) should be 0.5 in. (13 mm) at 3.0 lbs of force.
7. Place a straight edge (D) on drive pulley and rotor pulley. Pulleys must be aligned or belt will wear quickly. Adjust pulleys if necessary.

8. Close inspection cover (A). Do not operate mulcher with cover (A) open or removed.



5.5 Replace Belt

1. Lower mulcher to ground.
2. Set parking brake, stop engine and remove key.

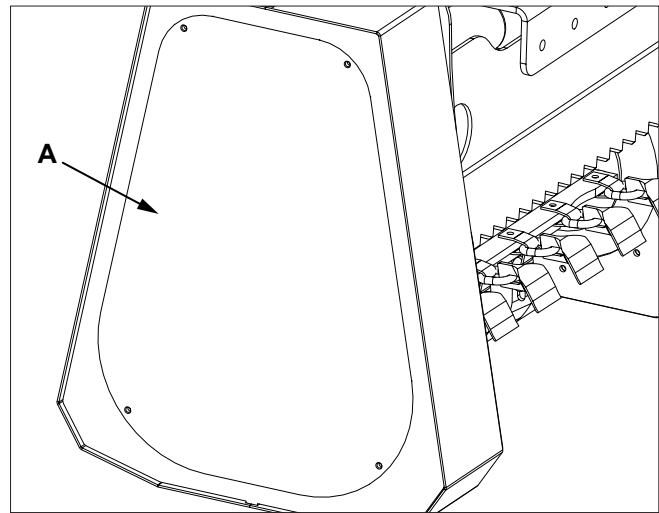
WARNING

Moving parts can crush and cut.

Keep clear of moving components.

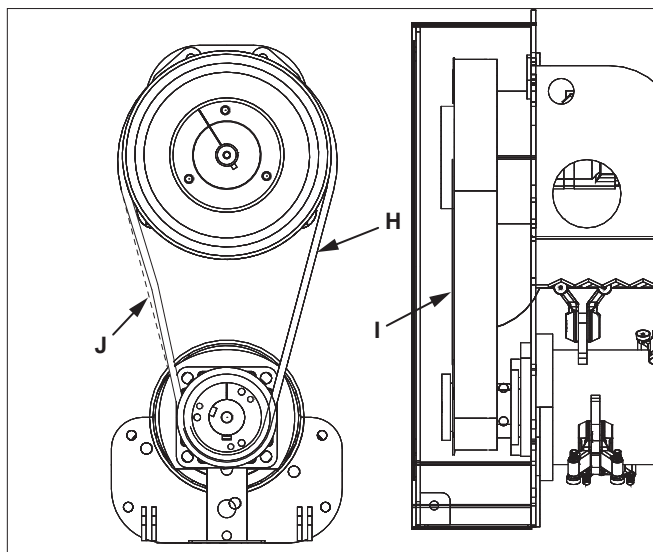
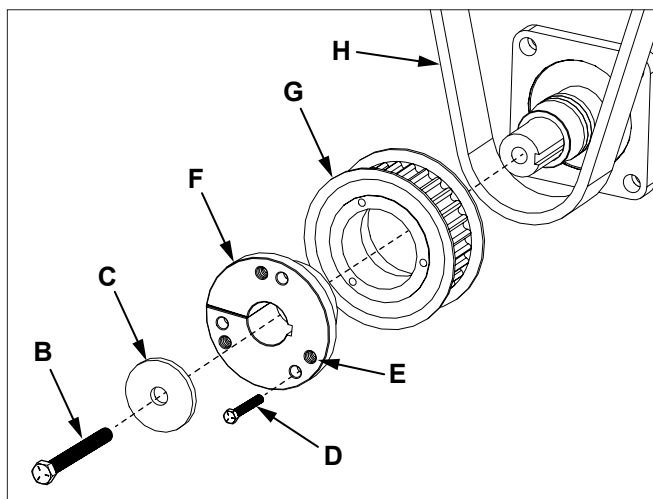
Follow lockout procedure before servicing.

3. Open inspection cover (A).



4. Loosen hydraulic motor mounting bracket.
5. Remove shaft pulley bolt (B) and washer (C).
6. Remove three hub bolts (D). Place hub bolts into threaded holes (E) in hub (F).
7. Evenly tighten bolts to push pulley (G) off of hub (F).
8. Remove hub (F), pulley (G) and belt (H). It may be necessary to lightly tap hub if hub stuck to shaft.
9. Install belt, pulley and hub onto shaft.
10. Install washer (C) and shaft bolt (B). Tighten bolt.

11. Align pulley holes with non threaded holes in hub (F) and install bolts (D).
12. Place a straight edge (I) on drive pulley and rotor pulley. Pulleys must be aligned or belt will wear quickly. Adjust pulley alignment as necessary and tighten bolts (D).
13. Belt deflection (J) should be 0.5 in. (13 mm) at 4.25 lbs of force.
14. Adjust tension and tighten motor mounting bracket.
15. Install inspection cover (A). Do not operate mulcher with cover (A) open or removed.



5.6 Lubricate Rotor Bearings

Note: The MX230 is illustrated, the MX330 is similar.

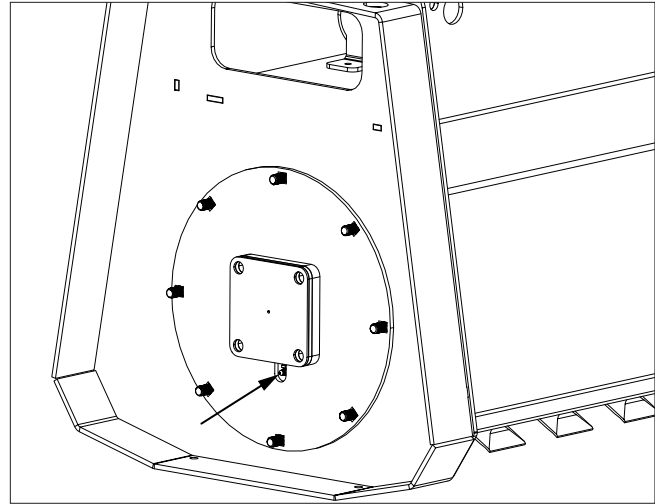
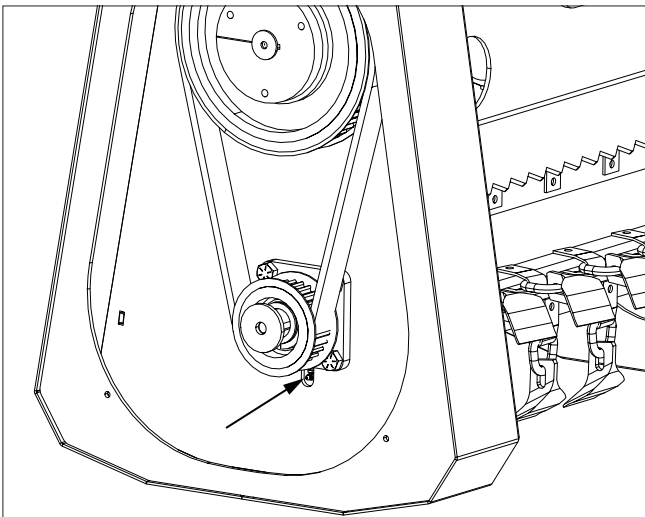
The bearings are factory lubricated with a lithium or lithium complex base grease which is suitable for most applications. Select a grease that is compatible with a lithium or lithium complex grease.

The bearings should contain as much grease as speed will permit. A full bearing with consequent slight leakage through the seal is the best protection against contaminant entry.

Extreme situations may require a change in lubricating periods as dictated by experience.

Generally, a lower quantity of grease at frequent intervals is more effective than a greater quantity at extended lubrication intervals.

Typical lubrication quantity is 1 pump from a standard grease gun every 500-1000 hours of use.



In the higher speed ranges, too much grease will cause overheating. The amount of grease that the bearing will take for a particular high speed application can be determined only by experience.

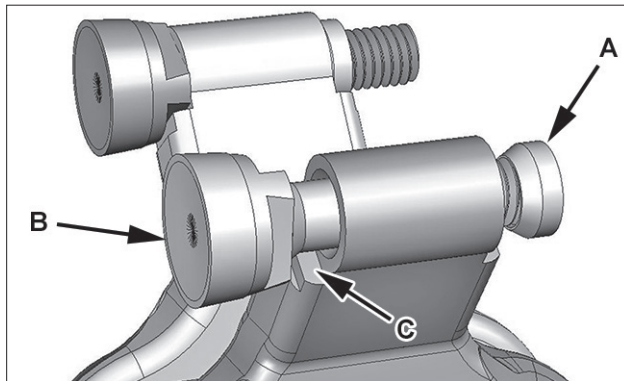
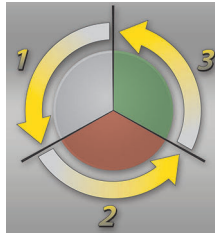
If excess grease in the bearing caused overheating, it will be necessary to remove grease fitting to permit excess grease to escape.

5.7 Rotate Cutting Teeth MX330

Each tooth can be rotated up to two times before replacement is necessary.

1. Park excavator and mulcher on a level surface.
2. Lower mulcher to the ground.
3. Shut off engine and remove key.
4. Inspect teeth for wear on top edge. Once top edge is worn, rotate tooth so a new edge is on top (cutting) edge.
5. Loosen $\frac{3}{8}$ inch locknut on tooth (B) and rotate tooth $\frac{1}{3}$ turn. Flat shoulder on tooth will fit against shoulder (C) on tooth holder.
6. Install spacer (A) and locknut. Tighten $\frac{3}{8}$ inch locknut to 65 lb/ft (88 Nm) of torque.

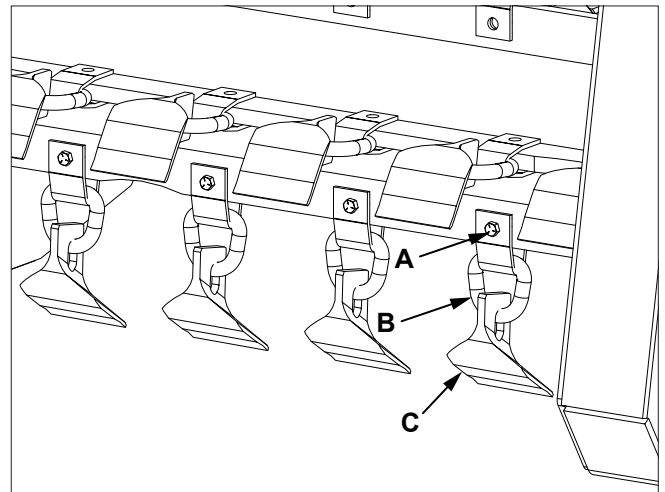
Note: Parts breakdown can be found on Baumalight's website. www.baumalight.com



5.8 Replace Cutting Teeth MX230

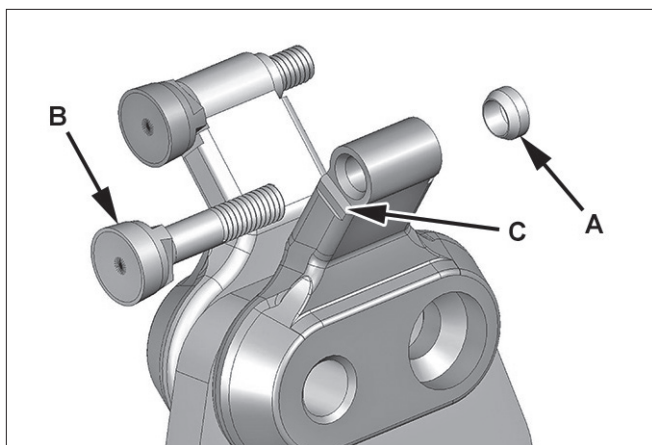
1. Park excavator and mulcher on a level surface.
2. Lower mulcher to the ground.
3. Shut off engine and remove key.
4. Inspect teeth for wear on flat edge.
5. Remove bolt (A), mounting strap, slotted D ring (B) and tooth (C)
6. Remove tooth (C) from slotted D ring (B).
7. Install new tooth on D ring.
8. Install tooth, D ring, mounting strap and bolt (A). Tighten bolt.
9. Rotate D ring so slot is under mounting strap.

Note: Parts breakdown can be found on Baumalight's website. www.baumalight.com



5.9 Replace Cutting Teeth MX330

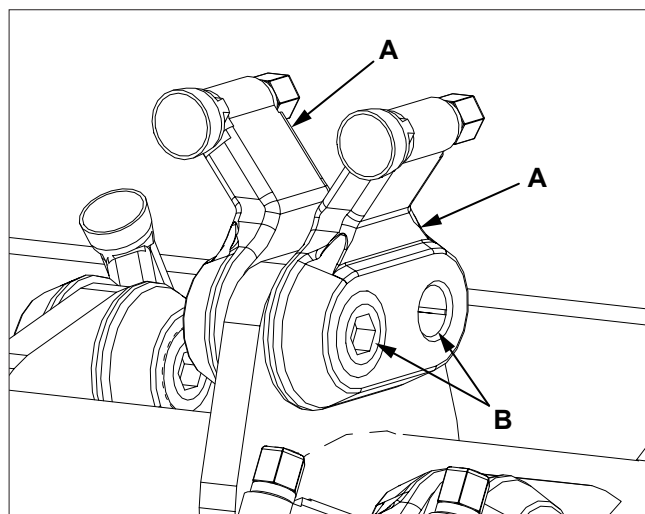
1. Park excavator and mulcher on a level surface.
2. Lower mulcher to the ground.
3. Shut off engine and remove key.
4. Inspect cutting teeth (B) for damage and wear. Replace individual teeth as needed.
5. Remove $\frac{3}{8}$ inch locknut and spacer (A) on tooth (B). Install new tooth. Flat shoulder on tooth will fit against shoulder (C) on tooth holder.
6. Install spacer (A) and locknut. Tighten $\frac{3}{8}$ inch locknut to 65 lb/ft (88 Nm) of torque.



Note: Parts breakdown can be found on Baumalight's website. www.baumalight.com

5.10 Replace Tooth Holder MX330

1. Park excavator and mulcher on a level surface.
2. Lower mulcher to the ground.
3. Shut off engine and remove key.
4. Inspect tooth holders (A) for damage and wear. Replace individual tooth holders as needed.
5. Remove tooth from tooth holder.
6. Remove mounting hardware on tooth holders. Install new tooth holder.
7. Install tooth into new tooth holder and tighten $\frac{3}{8}$ inch locknut to 65 lb/ft (88 Nm) of torque.
8. Tighten tooth holder mounting bolts (B) to 130 lb/ft (176 Nm) of torque.



Note: Parts breakdown can be found on Baumalight's website. www.baumalight.com

6 TROUBLESHOOTING

PROBLEM	CHECK	SOLUTION
Rotor does not spin.	Check drive belt.	Replace belt if damaged or broken.
	Rotor jammed.	Remove material from rotor. See Clearing Jams.
	Low oil level.	Check oil level in skid steer. Add if necessary.
	Low oil flow.	Check flow control on skid steer. See your dealer.
	Can drum be turned by hand with the hydraulics disconnected?	If yes, check for a stuck relief valve. If no, loosen belt to determine if the rotor is stuck or the motor or over hung load adaptor are stuck. If the motor or overhung load adaptor is stuck, remove and determine cause of problem.
Rotor rotates slow or sluggish.	Low oil.	Check oil level in skid steer. Add if necessary.
	Oil filter plugged.	Replace skid steer oil filter.
	Relief valve not set properly.	Set relief pressure 2500 - 3500 psi.
	Low oil flow.	Check flow control on skid steer. See your dealer.
	Drive belt loose.	Tighten drive belt.
	Couplers/lines connected improperly.	Verify that couplers are connected to the correct inputs on your machine: Pressure - Red zip tie Return - no markers Case drain - smaller line
Excessive vibration.	Cutting teeth worn or missing.	Replace worn, broken or missing teeth.
	Debris lodged in rotor.	Remove debris.
Hydraulic fluid coming out of vented adapter or zero leak relief valve (if equipped).	Case drain connector for proper connection and line for obstructions or pinched line.	Connect case drain line if not connected. Replace line if damage, obstructed or pinched.
	Combo coupler seals.	Combo coupler seals may be leaking, allowing pressurized fluid to escape to the case drain line.

7 STORAGE

7.1 Storing Mulcher

1. Store mulcher in a dry place.
2. Clean mulcher thoroughly. Dirt and wood chips will draw moisture and cause rust.
3. Check condition of cutting teeth. Replace as necessary. (See Service and Maintenance section.)
4. Check for loose or missing hardware.
5. Paint parts as necessary.

7.2 Remove From Storage

1. Review Operator's manual and check adjustments.
2. If parts have been replaced, verify they run properly.

BAUMALIGHT ATTACHMENT WARRANTY

The product is warranted to be free of defects in materials and workmanship under normal use and service, for a period of one year from the date of purchase. This warranty covers parts and labor, but does not cover misuse, negligence, dealer travel time and shipping costs to and from the dealer.

Replacement of individual parts vs. assemblies are at the discretion of the manufacturer.

Warranted replacement parts will be shipped to the customer free of charge via ground shipping. If expedited shipping requested, the customer will be charged the difference between ground shipping and the cost of expedited shipping. Damage in transit is not covered by warranty.

Baumalight products purchased new must be registered for warranty at <https://baumalight.com/support/product-registration>.

Warranty claims must include the original bill of sale. This warranty is extended only to the original purchaser and there is never any warranty on anything sold through auction.

This product must be operated and maintained in accordance with the Operating and Maintenance Instructions supplied with this unit.

Under no circumstances will the manufacturer be liable for any consequential damage or expense of any kind, including loss of profits. The manufacturer is under no circumstances liable for carrier unit damage of any kind. The manufacturer is not liable for the maintenance of the product. Baumalight will not cover time to diagnose and repair compatibility issues between carrier and attachment.

When receiving a shipment from the manufacturer:

1. Compare items received with the carriers bill of lading.
2. Check for damage before signing for the shipment. If damage is found, note damage on carriers bill of lading and photograph the damage.

Warranty repairs may be done by the end user if the end user is willing and capable.

The Manufacturer's Liability is limited to repair of the product and/or replacement of parts and is given to the purchaser in lieu of all other remedies including incidental and consequential charges. There are no warranties, expressed or implied other than those specified herein. For the nearest Authorized Service Center call the manufacturer.

The allowable time for dealers to perform some repairs can be found on our website in the support section under Service And Instruction Videos & Support. If website does not list a time for the repair, dealer must contact the manufacturer before starting the repair to find how much time will be covered for the activity. The manufacturer will only cover up to 1 hour to diagnose and troubleshoot an issue, regardless of the suggestions recommended by the manufacturer to check and verify an issue.

Model Number: _____ S/N: _____

Date of Purchase: _____ Owner's Name _____

Replacement parts sold after the equipment warranty has expired are warranted for a period of 30 days from the date of purchase. Labor, diagnosis and troubleshooting are not covered on replacement parts.

For parts, specifications and the latest machine information please visit our website.

www.baumalight.com

MTB MFG INC.
CORPORATE HEADQUARTERS
4575 Powell Rd.,
Wallenstein, Ontario Canada
N0B 2S0
Phone - 519.698.9864
Toll Free - 866.820.7603
Fax - 519.698.1087
www.baumalight.com

