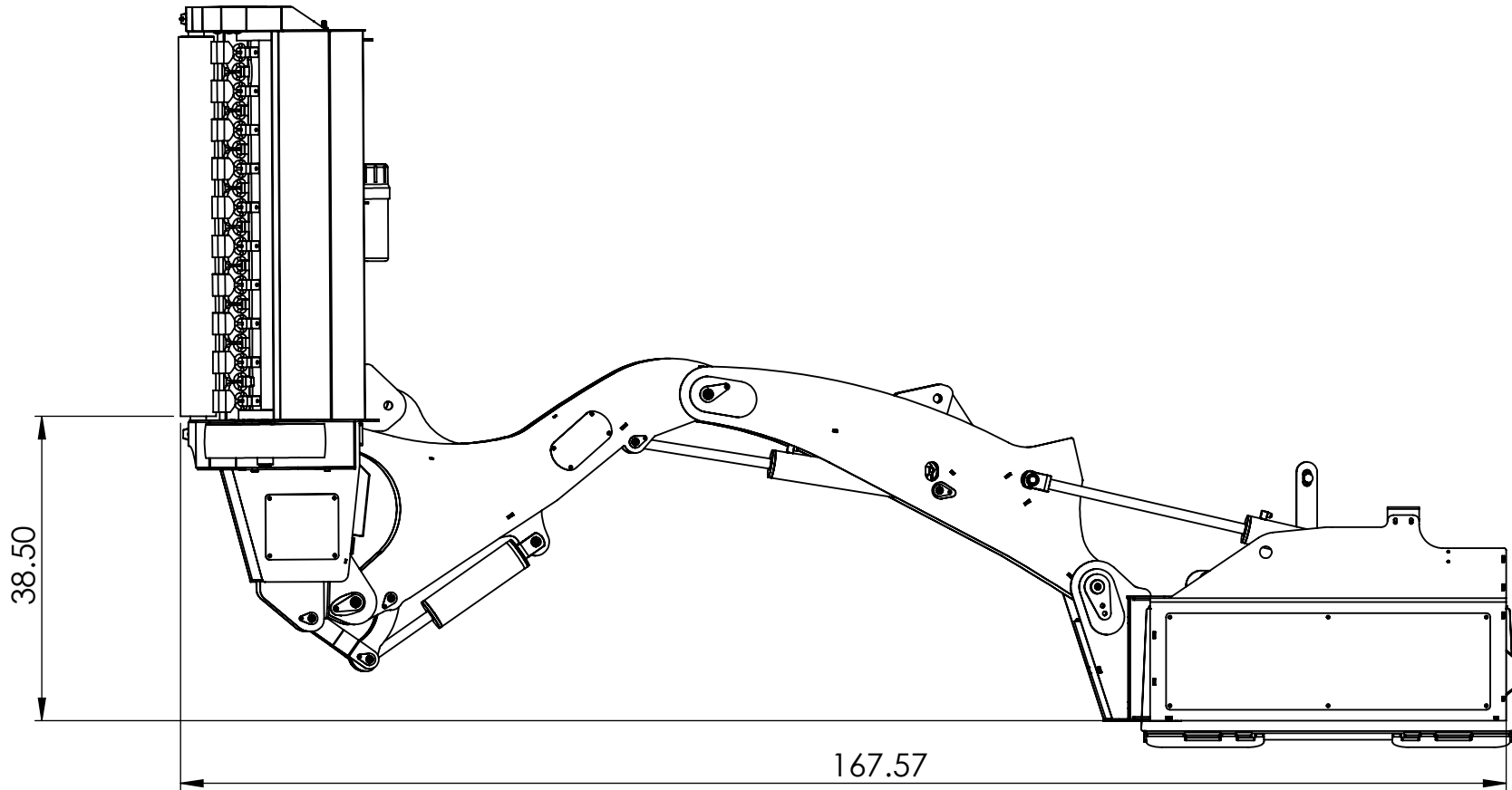


SWF580-Max working length in vertical position



PROPRIETARY AND CONFIDENTIAL
 THE INFORMATION CONTAINED IN THIS DRAWING IS THE SOLE PROPERTY OF BAUMALIGHT. ANY REPRODUCTION IN PART OR AS A WHOLE WITHOUT THE WRITTEN PERMISSION OF BAUMALIGHT IS PROHIBITED.



Description

Main model

Weight lbs	Thickness in.	K-Factor	DATE 23-08-2016	DWG. NO.	REV A
DO NOT SCALE DRAWING	SCALE: 1:100	SHEET 1 OF 11	SWF580-A4		

5

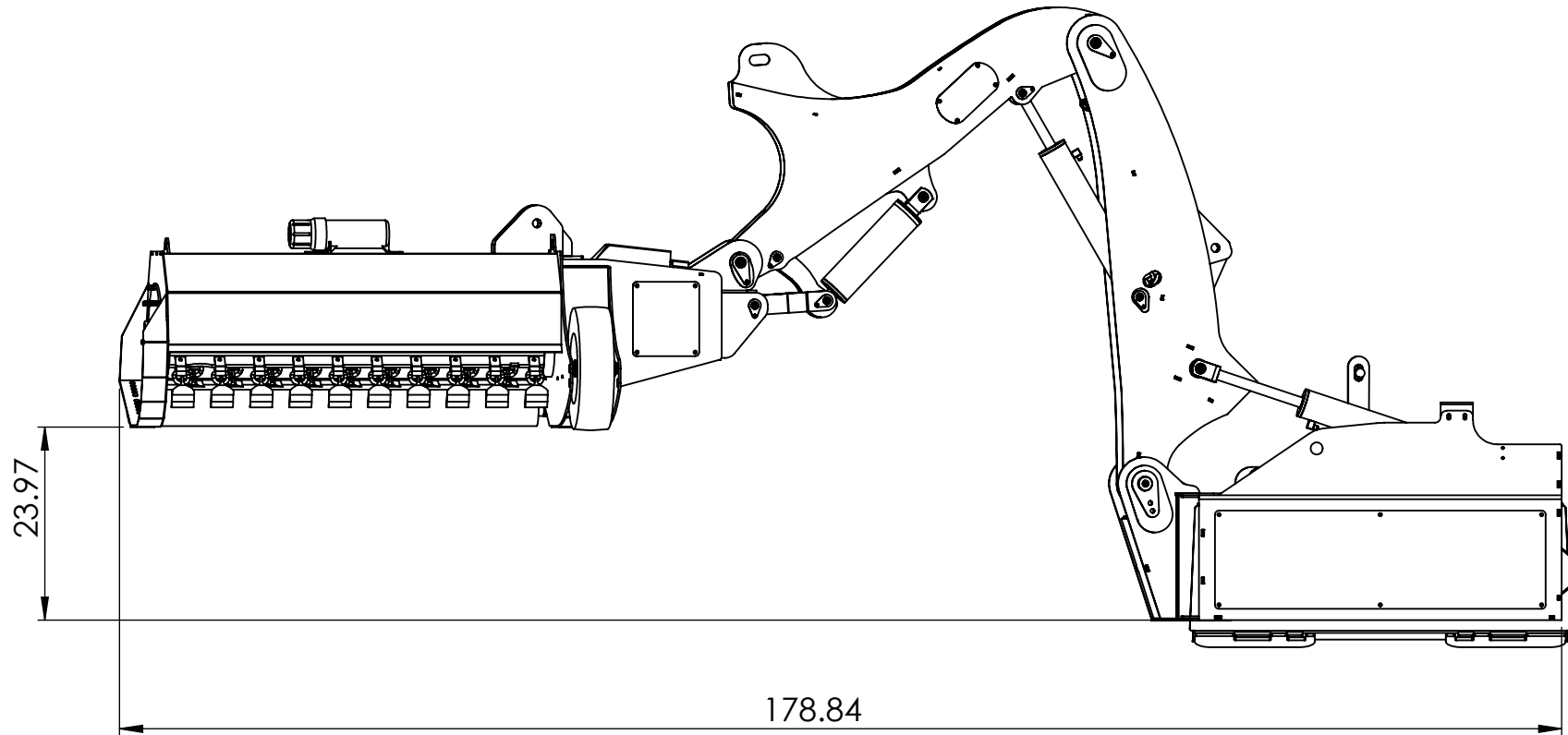
4

3

2

1

SWF580-Max height above the side of the hedge.



PROPRIETARY AND CONFIDENTIAL
 THE INFORMATION CONTAINED IN THIS DRAWING IS THE SOLE PROPERTY OF BAUMALIGHT. ANY REPRODUCTION IN PART OR AS A WHOLE WITHOUT THE WRITTEN PERMISSION OF BAUMALIGHT IS PROHIBITED.

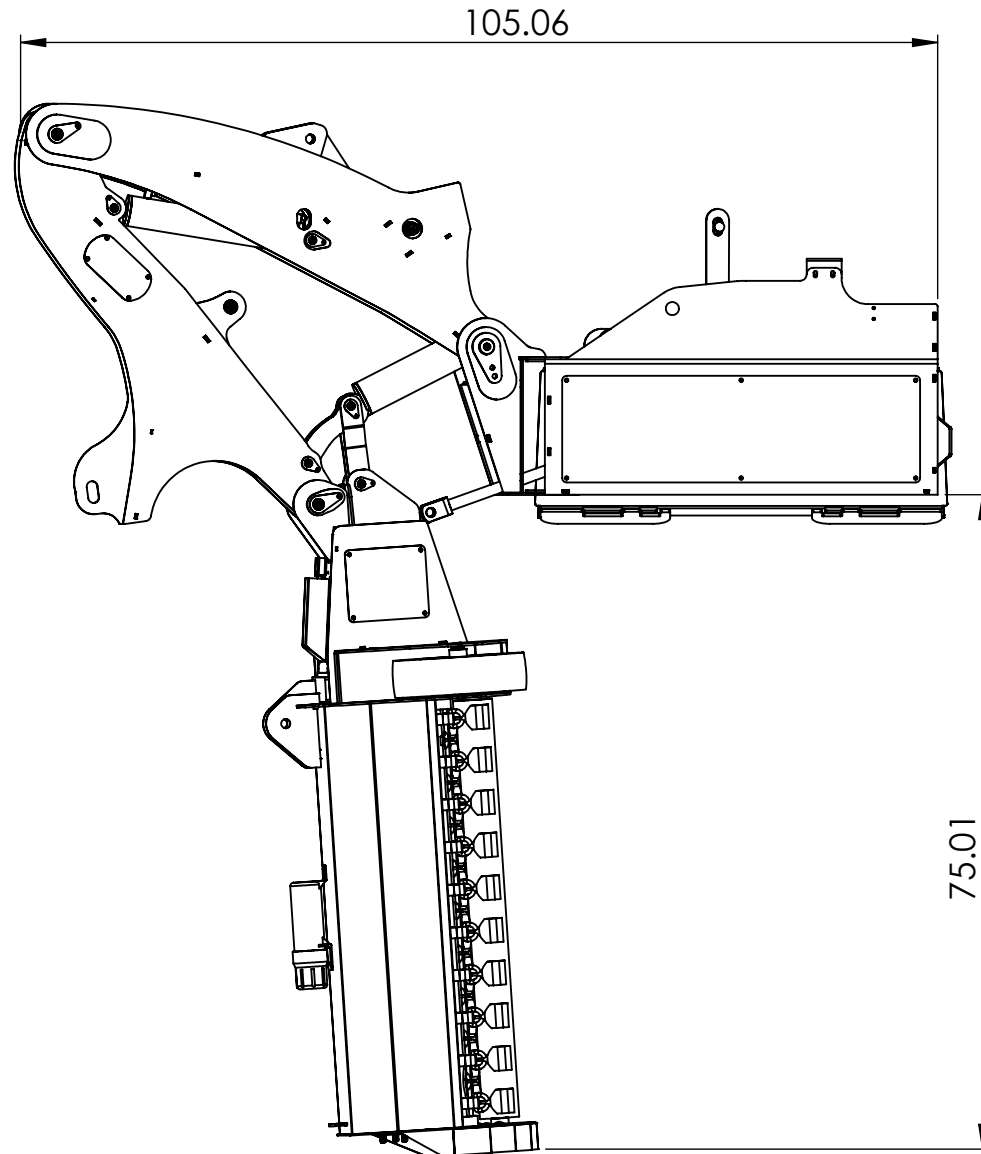


Description

Main model

Weight lbs	Thickness in.	K-Factor	DATE 23-08-2016	DWG. NO.	REV A
DO NOT SCALE DRAWING	SCALE: 1:100	SHEET 2 OF 11	SWF580-A4		

SWF580-Max down.



PROPRIETARY AND CONFIDENTIAL
 THE INFORMATION CONTAINED IN THIS DRAWING IS THE SOLE PROPERTY OF BAUMALIGHT. ANY REPRODUCTION IN PART OR AS A WHOLE WITHOUT THE WRITTEN PERMISSION OF BAUMALIGHT IS PROHIBITED.



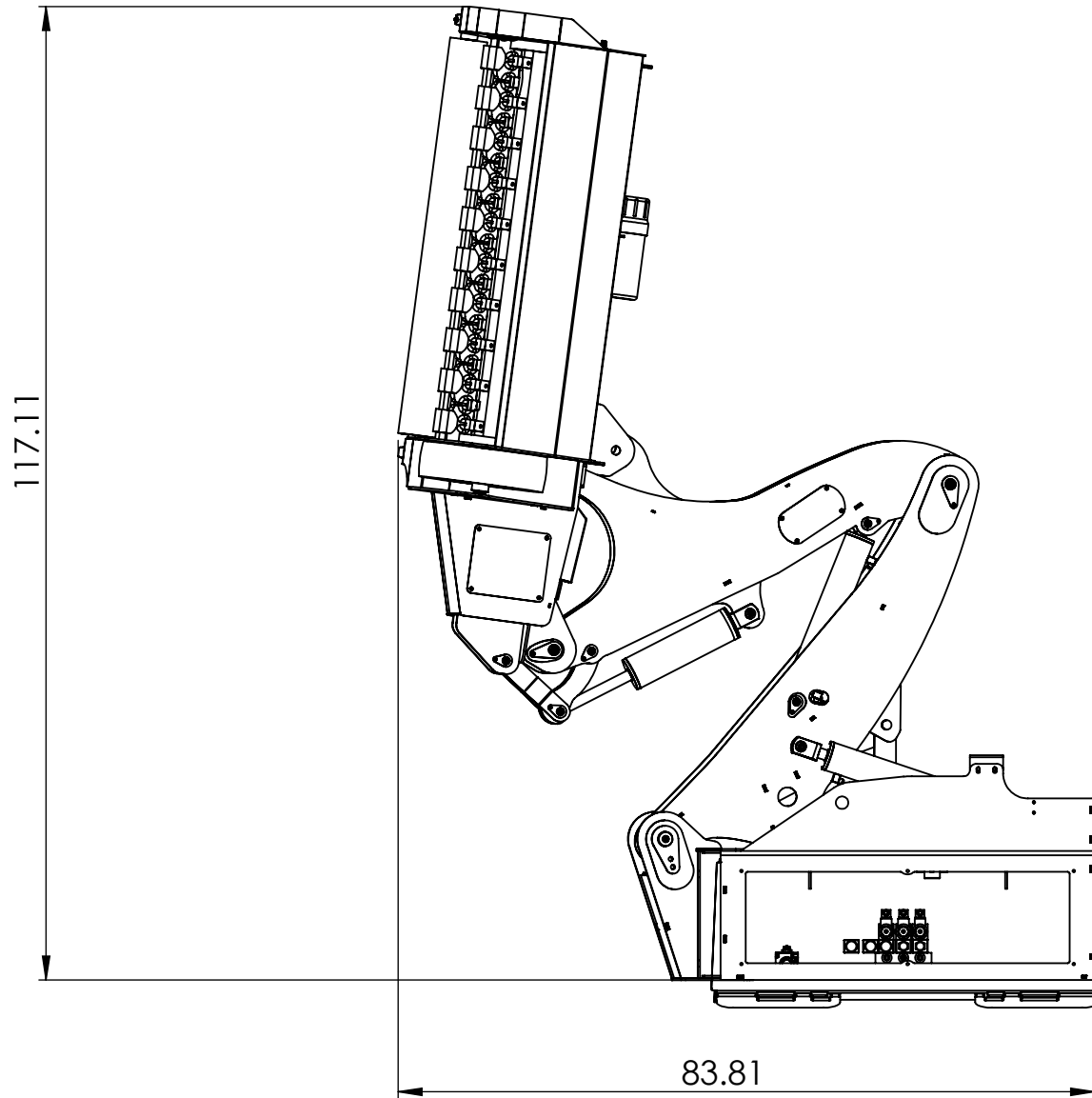
Description

Main model

Weight lbs	Thickness in.	K-Factor	DATE
			23-08-2016
DO NOT SCALE DRAWING		SCALE: 1:100	SHEET 3 OF 11

DWG. NO.	REV
SWF580-A4	A

SWF580-Folded up-in for travel.



PROPRIETARY AND CONFIDENTIAL
 THE INFORMATION CONTAINED IN THIS DRAWING IS THE SOLE PROPERTY OF BAUMALIGHT. ANY REPRODUCTION IN PART OR AS A WHOLE WITHOUT THE WRITTEN PERMISSION OF BAUMALIGHT IS PROHIBITED.



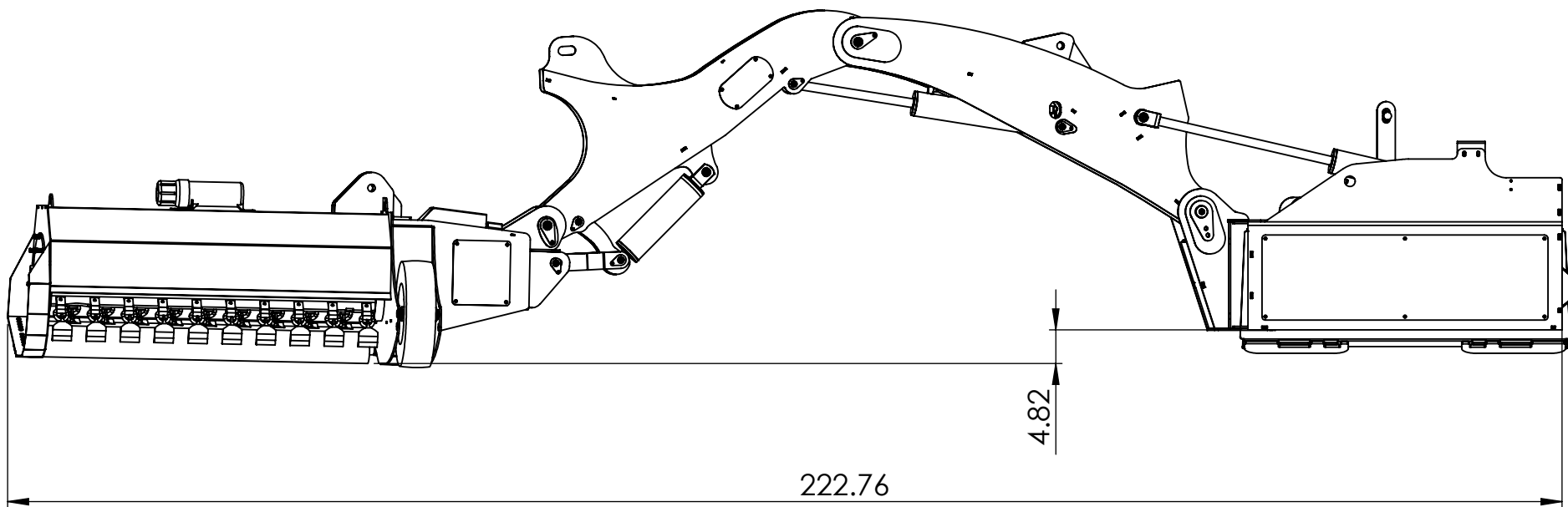
Description

Main model

Weight lbs	Thickness in.	K-Factor	DATE 23-08-2016
DO NOT SCALE DRAWING		SCALE: 1:100	SHEET 4 OF 11

DWG. NO. SWF580-A4	REV A
------------------------------	-----------------

SWF580-Max reach in horizontal position (Max reach).



PROPRIETARY AND CONFIDENTIAL
THE INFORMATION CONTAINED IN THIS DRAWING IS THE SOLE PROPERTY OF BAUMALIGHT. ANY REPRODUCTION IN PART OR AS A WHOLE WITHOUT THE WRITTEN PERMISSION OF BAUMALIGHT IS PROHIBITED.



Description

Main model

Weight
lbs

Thickness
in.

K-Factor

DATE
23-08-2016

DWG. NO.

REV
A

DO NOT SCALE DRAWING

SCALE: 1:100

SHEET 5 OF 11

SWF580-A4

5

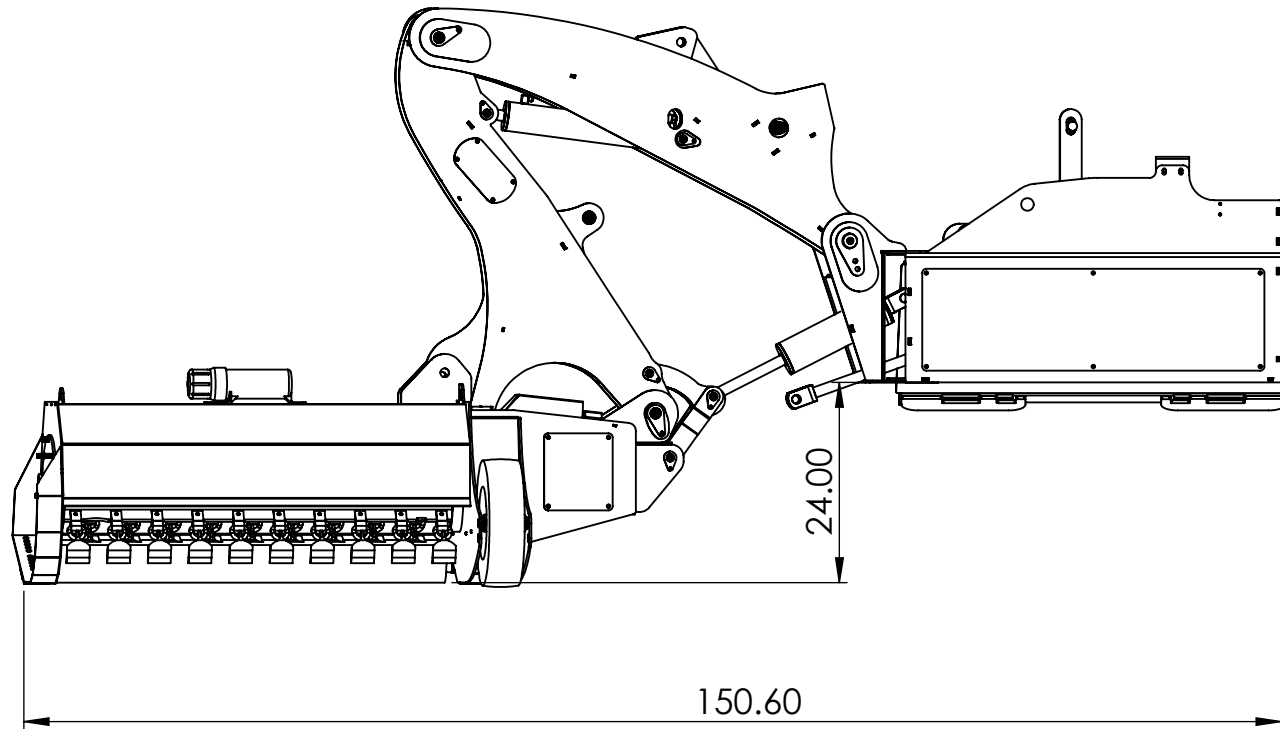
4

3

2

1

SWF580-Max down tilted up



PROPRIETARY AND CONFIDENTIAL
 THE INFORMATION CONTAINED IN THIS DRAWING IS THE SOLE PROPERTY OF BAUMALIGHT. ANY REPRODUCTION IN PART OR AS A WHOLE WITHOUT THE WRITTEN PERMISSION OF BAUMALIGHT IS PROHIBITED.

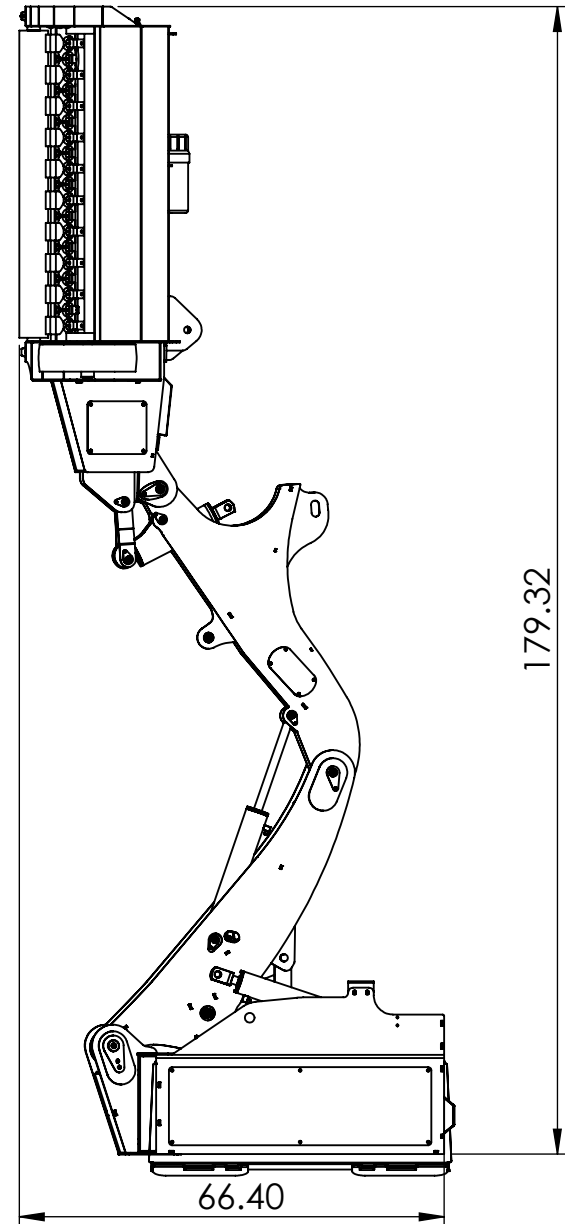


Description

Main model

Weight lbs	Thickness in.	K-Factor	DATE 23-08-2016	DWG. NO.	REV A
DO NOT SCALE DRAWING	SCALE: 1:100	SHEET 6 OF 11	SWF580-A4		

SWF580-A trimming high vertical hedge.



PROPRIETARY AND CONFIDENTIAL
 THE INFORMATION CONTAINED IN THIS DRAWING IS THE SOLE PROPERTY OF BAUMALIGHT. ANY REPRODUCTION IN PART OR AS A WHOLE WITHOUT THE WRITTEN PERMISSION OF BAUMALIGHT IS PROHIBITED.

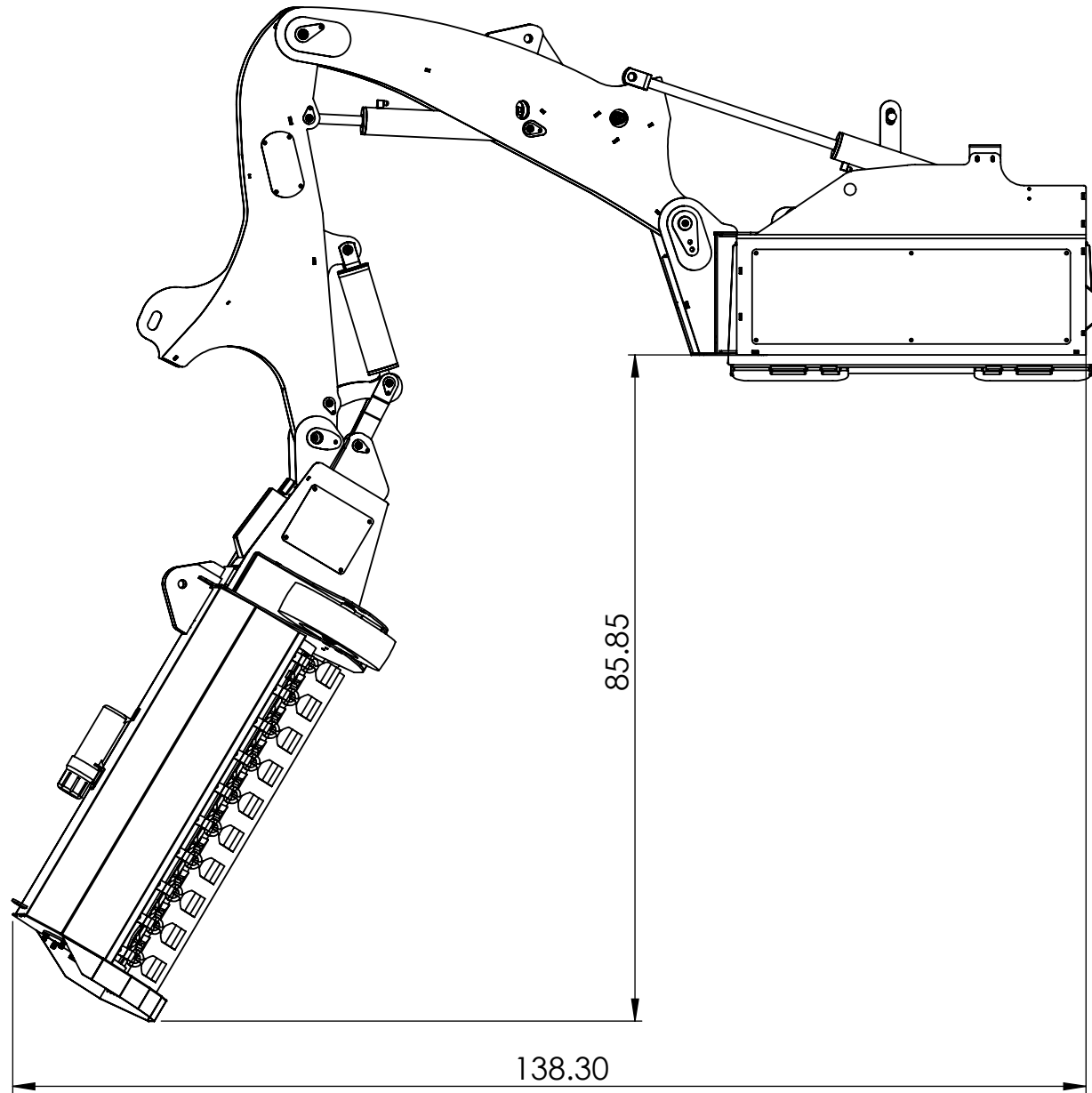


Description

Main model

Weight lbs	Thickness in.	K-Factor	DATE 23-08-2016	DWG. NO.	REV A
DO NOT SCALE DRAWING	SCALE: 1:100	SHEET 7 OF 11	SWF580-A4		

SWF580-Cutter head very steep ditch.



PROPRIETARY AND CONFIDENTIAL
 THE INFORMATION CONTAINED IN THIS DRAWING IS THE SOLE PROPERTY OF BAUMALIGHT. ANY REPRODUCTION IN PART OR AS A WHOLE WITHOUT THE WRITTEN PERMISSION OF BAUMALIGHT IS PROHIBITED.

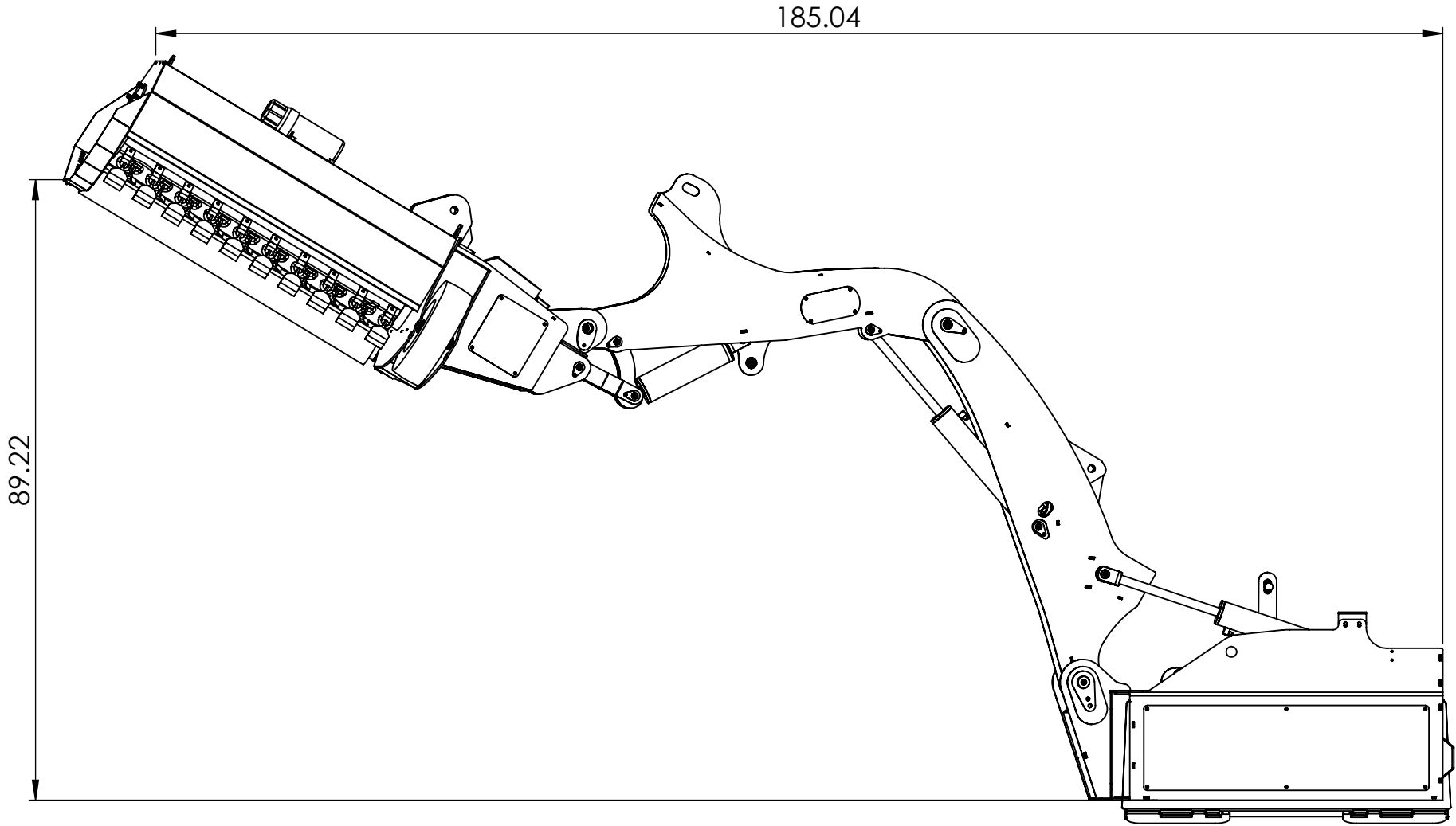


Description

Main model

Weight lbs	Thickness in.	K-Factor	DATE 23-08-2016	DWG. NO.	REV A
DO NOT SCALE DRAWING	SCALE: 1:100	SHEET 8 OF 11	SWF580-A4		

SWF580-Max angle up.



PROPRIETARY AND CONFIDENTIAL
 THE INFORMATION CONTAINED IN THIS DRAWING IS THE SOLE PROPERTY OF BAUMALIGHT. ANY REPRODUCTION IN PART OR AS A WHOLE WITHOUT THE WRITTEN PERMISSION OF BAUMALIGHT IS PROHIBITED.



Description

Main model

Weight lbs	Thickness in.	K-Factor	DATE 23-08-2016	DWG. NO.	REV A
DO NOT SCALE DRAWING	SCALE: 1:100	SHEET 9 OF 11	SWF580-A4		

5

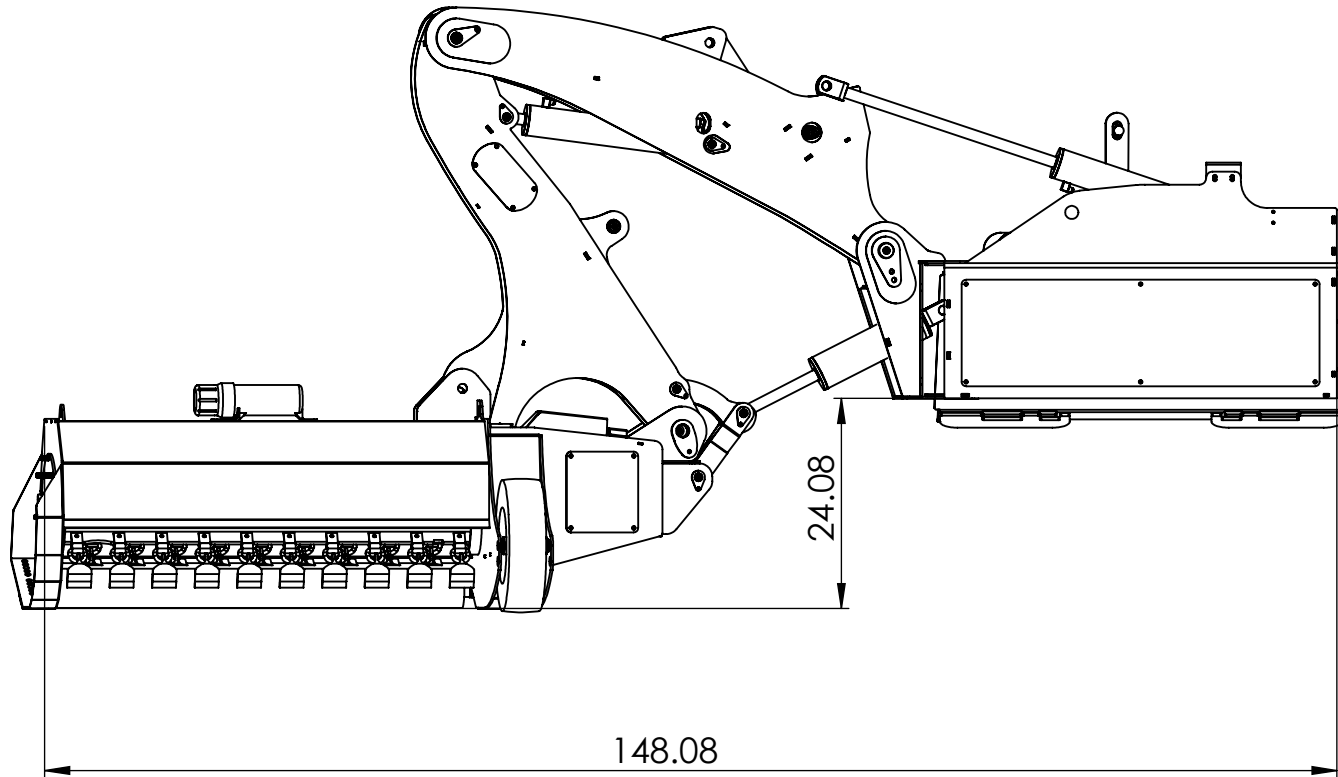
4

3

2

1

SWF580-Bottom of a ditch.



PROPRIETARY AND CONFIDENTIAL
 THE INFORMATION CONTAINED IN THIS DRAWING IS THE SOLE PROPERTY OF BAUMALIGHT. ANY REPRODUCTION IN PART OR AS A WHOLE WITHOUT THE WRITTEN PERMISSION OF BAUMALIGHT IS PROHIBITED.

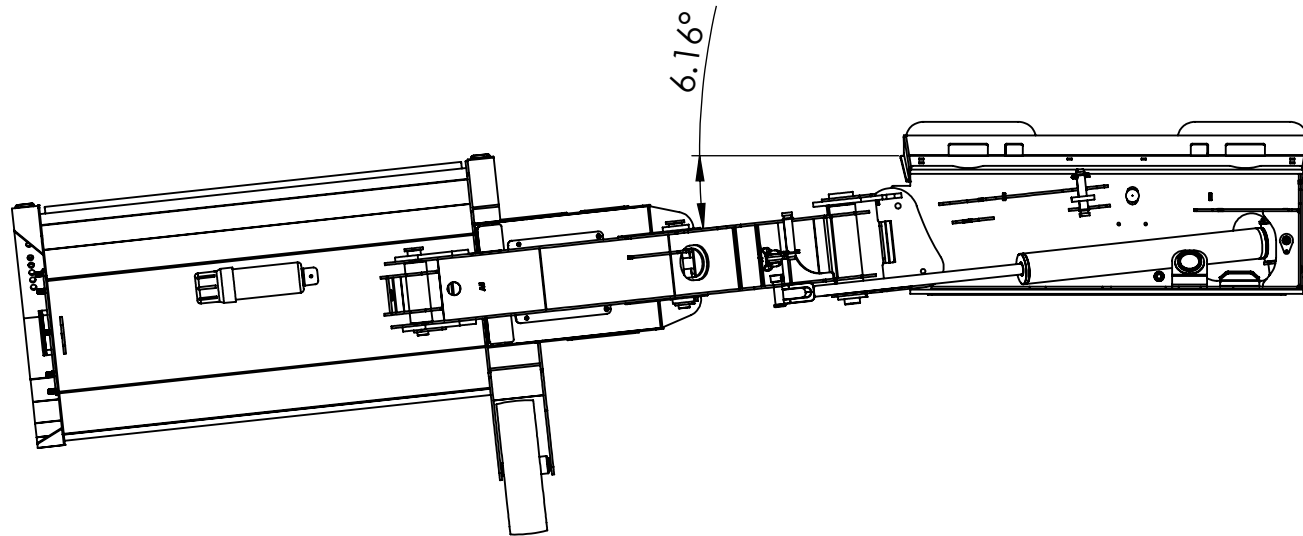


Description

Main model

Weight lbs	Thickness in.	K-Factor	DATE 23-08-2016	DWG. NO.	REV A
DO NOT SCALE DRAWING	SCALE: 1:100	SHEET 10 OF 11	SWF580-A4		

SWF580-Break away.



PROPRIETARY AND CONFIDENTIAL
 THE INFORMATION CONTAINED IN THIS DRAWING IS THE SOLE PROPERTY OF BAUMALIGHT. ANY REPRODUCTION IN PART OR AS A WHOLE WITHOUT THE WRITTEN PERMISSION OF BAUMALIGHT IS PROHIBITED.



Description

Main model

Weight lbs	Thickness in.	K-Factor	DATE 23-08-2016	DWG. NO.	REV A
DO NOT SCALE DRAWING	SCALE: 1:100	SHEET 11 OF 11	SWF580-A4		

5

4

3

2

1