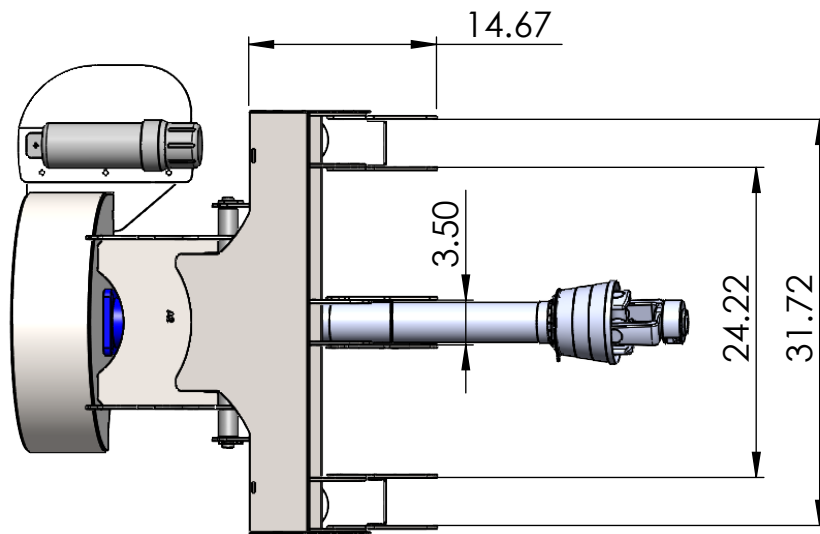
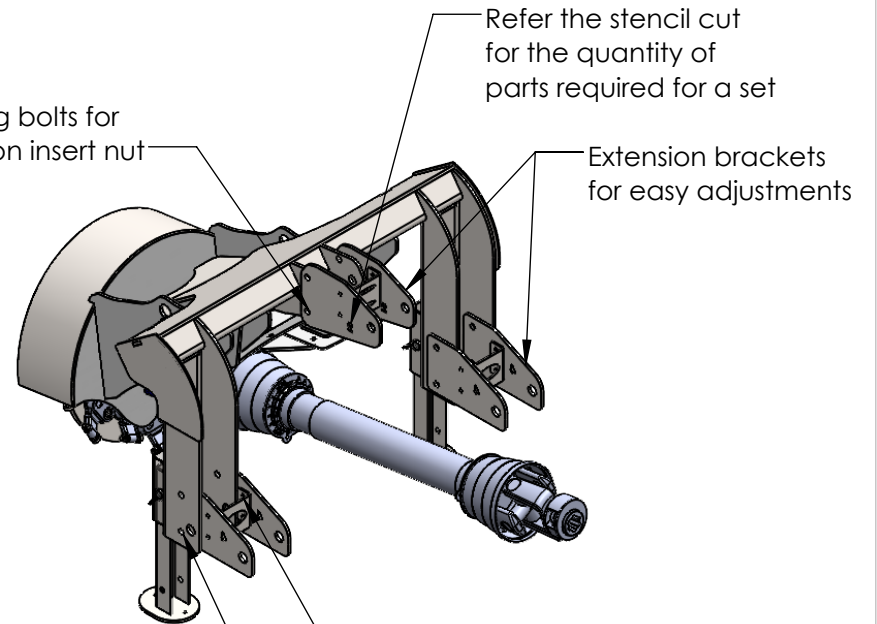


2 Qty 1/2" x 1.5" long bolts for the top link with nylon insert nut



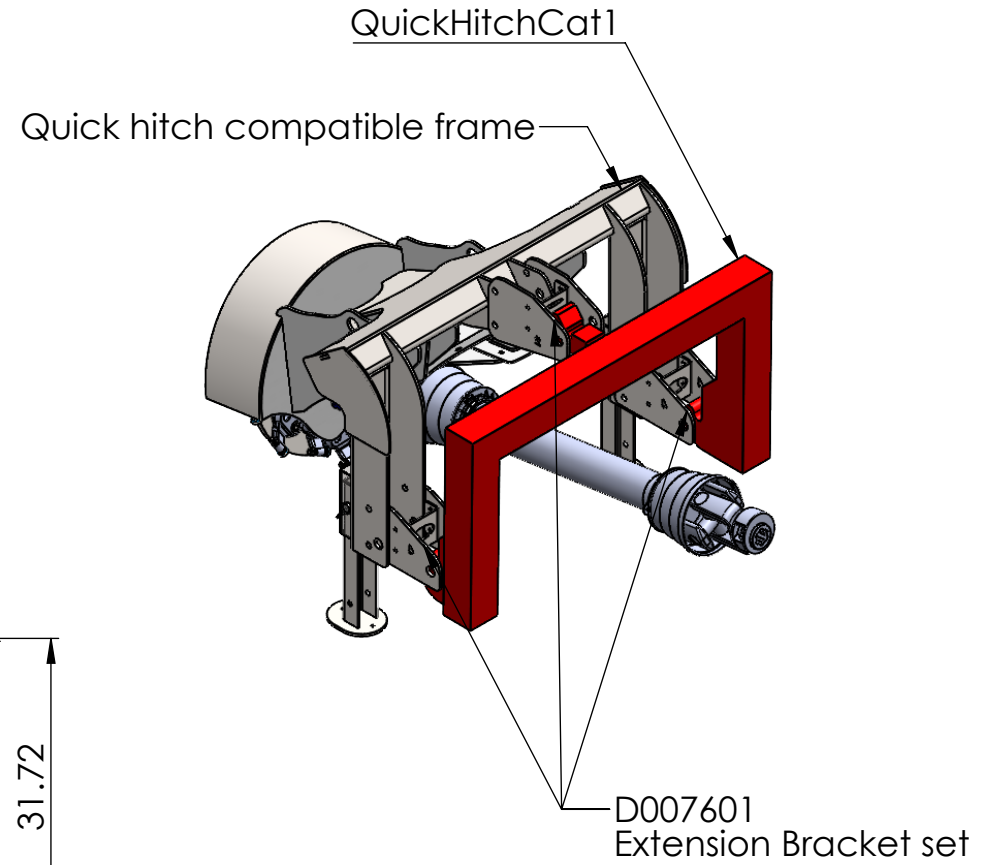
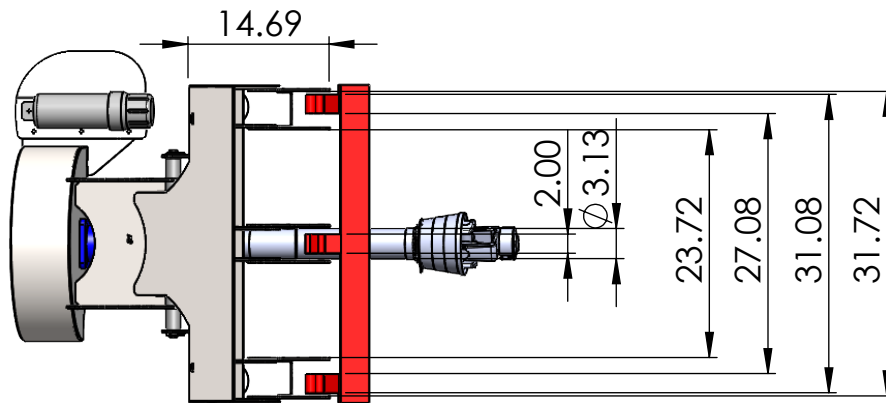
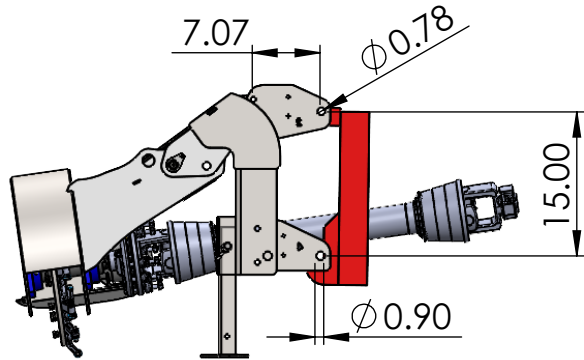
**Use Grade 5 bolts with Nylon insert nuts.**

**PROPRIETARY AND CONFIDENTIAL**  
 THE INFORMATION CONTAINED IN THIS DRAWING IS THE SOLE PROPERTY OF BAUMALIGHT. ANY REPRODUCTION IN PART OR AS A WHOLE WITHOUT THE WRITTEN PERMISSION OF BAUMALIGHT IS PROHIBITED.



Description 35HP PTO 3-Point hitch Stump Grinder with round teeth (D007188)

Weight 261.71 lbs	Thickness in.	K-Factor	DATE 19-01-2011	DWG. NO. <b>1P14-Quick Hitch</b>	REV <b>A</b>
DO NOT SCALE DRAWING		SCALE: 1:50		SHEET 1 OF 2	



**PROPRIETARY AND CONFIDENTIAL**  
 THE INFORMATION CONTAINED IN THIS DRAWING IS THE SOLE PROPERTY OF BAUMALIGHT. ANY REPRODUCTION IN PART OR AS A WHOLE WITHOUT THE WRITTEN PERMISSION OF BAUMALIGHT IS PROHIBITED.



Description 35HP PTO 3-Point hitch Stump Grinder with round teeth (D007188)

Weight 261.71 lbs	Thickness in.	K-Factor	DATE 19-01-2011	DWG. NO. <b>1P14-Quick Hitch</b>	REV <b>A</b>
DO NOT SCALE DRAWING		SCALE: 1:50	SHEET 2 OF 2		