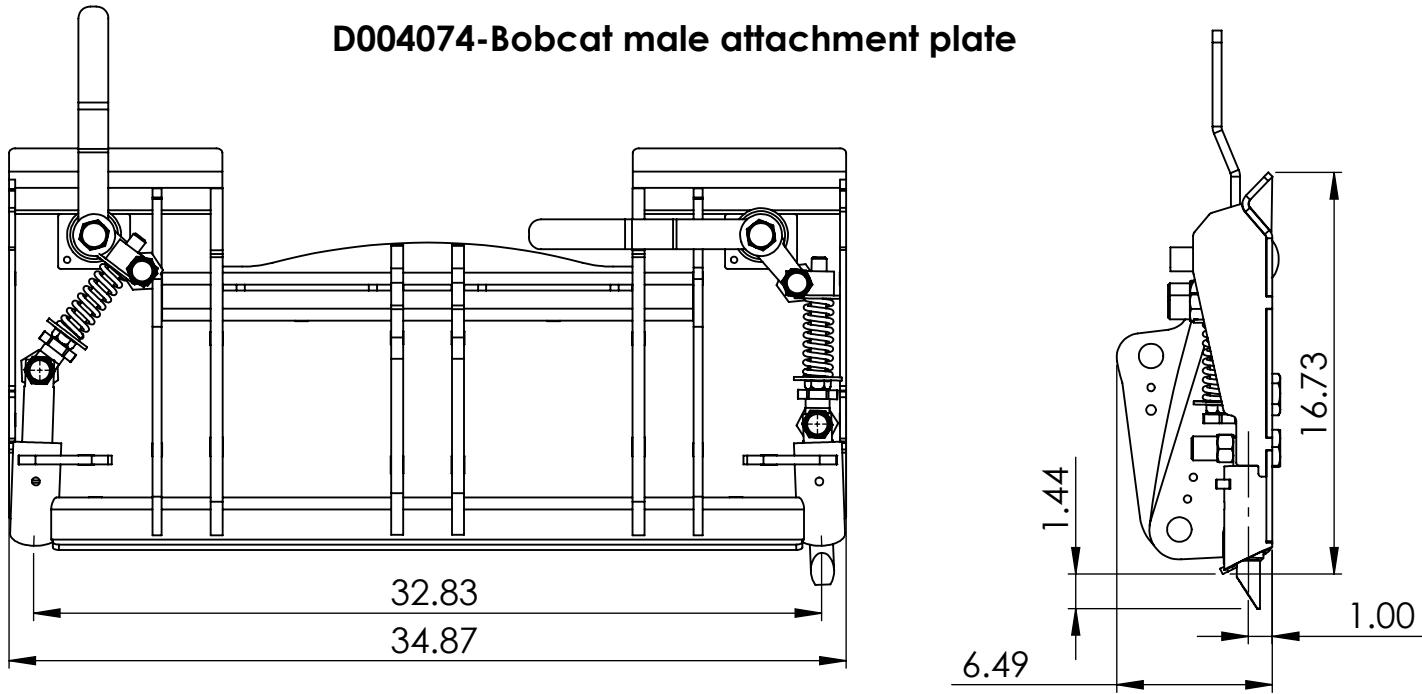
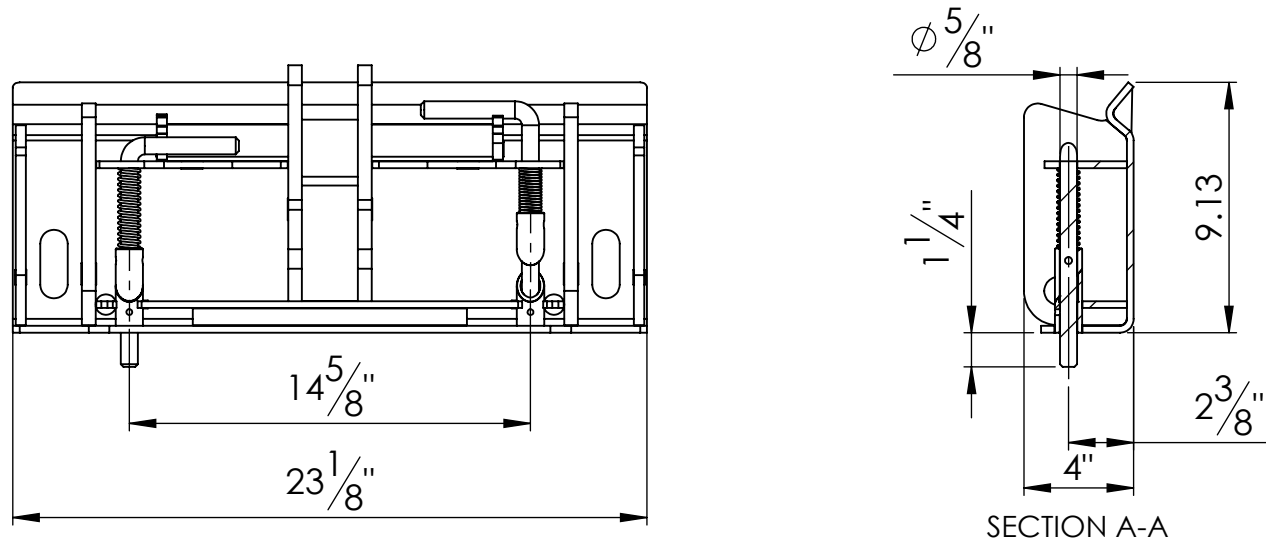


D004074-Bobcat male attachment plate



D005321- Baumlight & Common Industry interface for Mini Skidsteer



SECTION A-A

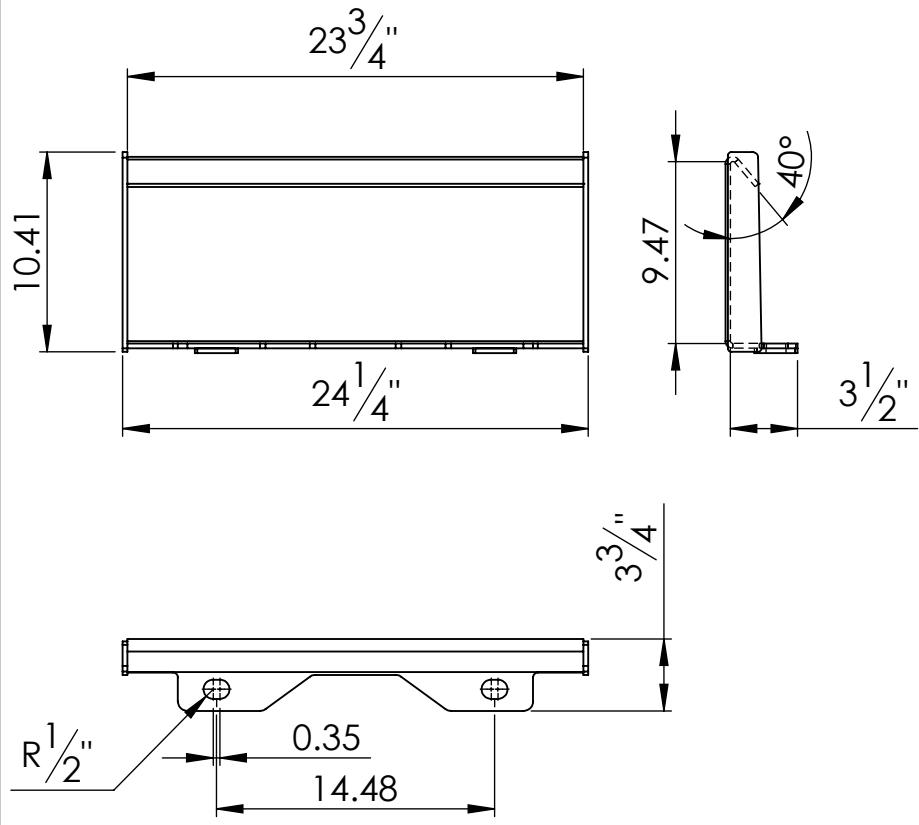
PROPRIETARY AND CONFIDENTIAL
 THE INFORMATION CONTAINED IN THIS DRAWING IS THE SOLE PROPERTY OF BAUMALIGHT. ANY REPRODUCTION IN PART OR AS A WHOLE WITHOUT THE WRITTEN PERMISSION OF BAUMALIGHT IS PROHIBITED.



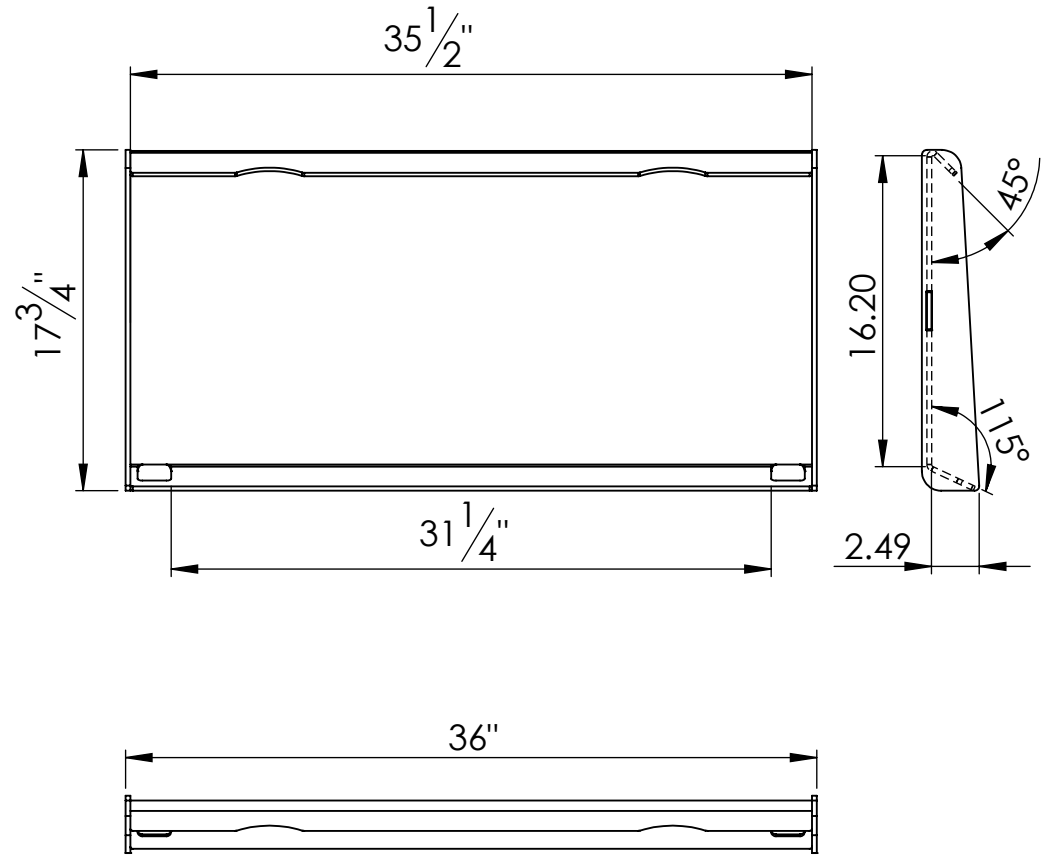
Description Bobcat male attachment vs Baulalight male attachment plate

Weight 52.38 lbs	Thickness in.	K-Factor	DATE 17-04-2023	DWG. NO.	REV A
DO NOT SCALE DRAWING		SCALE: 1:7	SHEET 1 OF 2		

**S2035-Baumalight mini skidsteer
Female attachment plate**



D003546-Bobcat Female attachment plate



PROPRIETARY AND CONFIDENTIAL
THE INFORMATION CONTAINED IN THIS DRAWING IS THE SOLE PROPERTY OF BAUMALIGHT. ANY REPRODUCTION IN PART OR AS A WHOLE WITHOUT THE WRITTEN PERMISSION OF BAUMALIGHT IS PROHIBITED.



Description Bobcat FM attachment vs Baulalight FM attachment plate

Weight 52.38 lbs	Thickness in.	K-Factor	DATE 17-04-2023
DO NOT SCALE DRAWING		SCALE: 1:10	SHEET 2 OF 2

DWG. NO. _____

REV
A