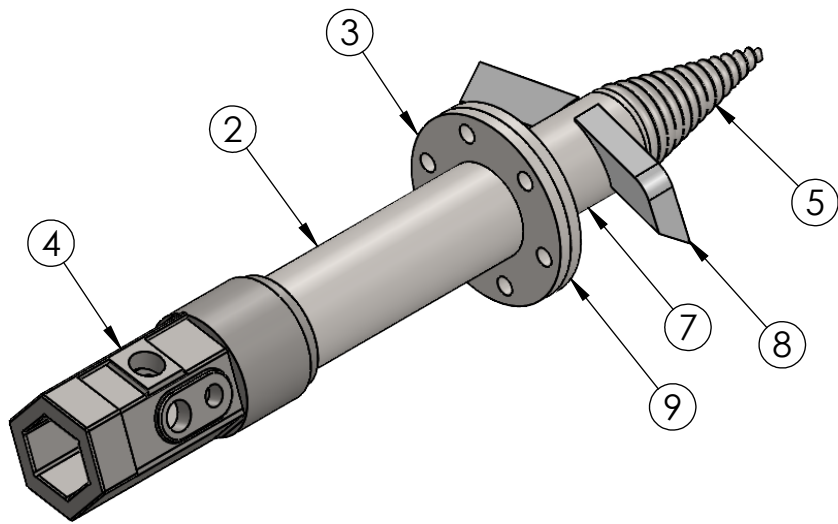


ITEM NO.	PART NUMBER	DESCRIPTION	QTY.
1	D006228	Stump planer - Shaft assembly	1
2	D002769	Stump planer central shaft	1
3	D002771-4	Flange bolt-on plate for top assembly	1
4	D004335	2" Hex Hub - actual shape	1
5	D003508	Planer tip - 4140 40/45RC material Quench & Temper	1
6	D006282	Small blade assembly for 8" Christmas Tree Stump	1
7	D003510	Small blade shank - mild steel	1
8	AR500 D006227	Small blade for 8" Christmas Tree Stump	2
9	D002771-3	Flange blade for screw tip	1

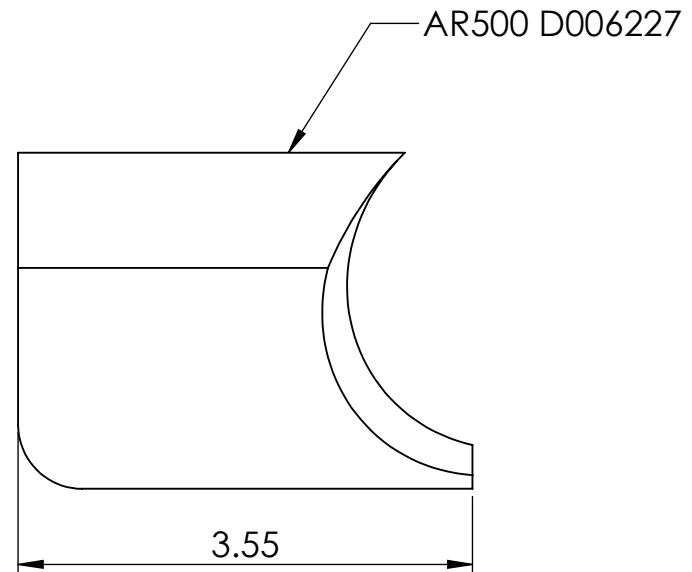
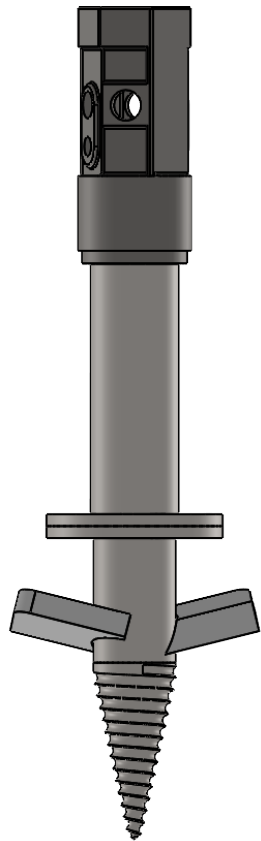
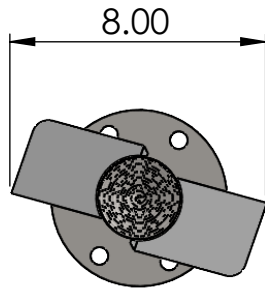


**PROPRIETARY AND CONFIDENTIAL**  
 THE INFORMATION CONTAINED IN THIS DRAWING IS THE SOLE PROPERTY OF BAUMALIGHT. ANY REPRODUCTION IN PART OR AS A WHOLE WITHOUT THE WRITTEN PERMISSION OF BAUMALIGHT IS PROHIBITED.



Description 2' Hex 8" Diameter Christmas Tree Stump Remover

Weight lbs	Thickness in.	K-Factor	DATE 08-06-2015	DWG. NO. <b>D003218</b>	REV <b>A</b>
DO NOT SCALE DRAWING		SCALE: 1:10	SHEET 1 OF 2		



Cut the AR500 D003509 blade to the above length

**PROPRIETARY AND CONFIDENTIAL**  
 THE INFORMATION CONTAINED IN THIS DRAWING IS THE SOLE PROPERTY OF BAUMALIGHT. ANY REPRODUCTION IN PART OR AS A WHOLE WITHOUT THE WRITTEN PERMISSION OF BAUMALIGHT IS PROHIBITED.



Description 2' Hex 8" Diameter Christmas Tree Stump Remover

Weight lbs	Thickness in.	K-Factor	DATE 07-06-2015	DWG. NO.	REV A
DO NOT SCALE DRAWING	SCALE: 1:6	SHEET 2 OF 2	D003218		