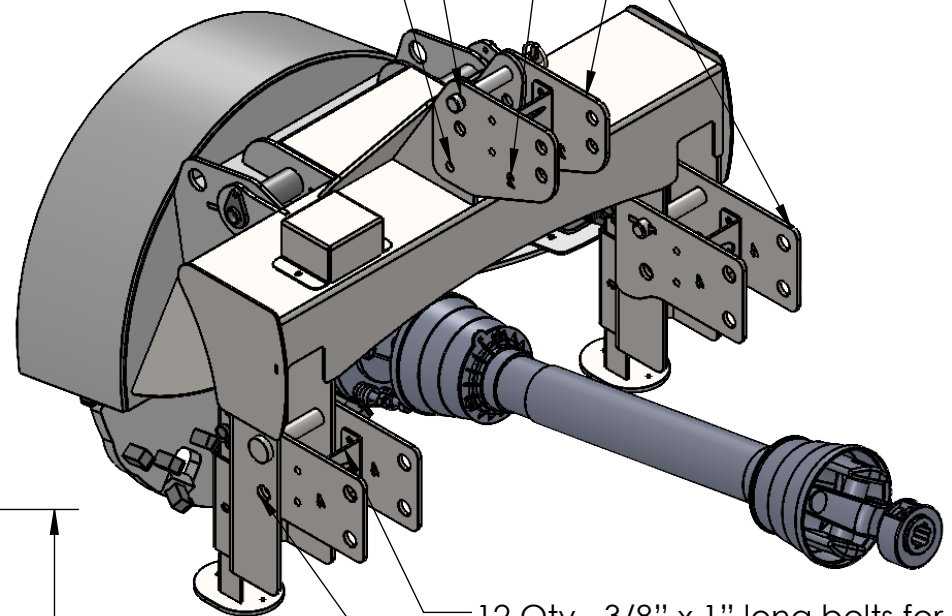


2 Qty - 3/4" x 5" long bolts for the top link with nylon insert nut

2 Qty 1/2" x 1.5" long bolts for the top link with nylon insert nut

Refer the stencil cut for the quantity of parts required for a set

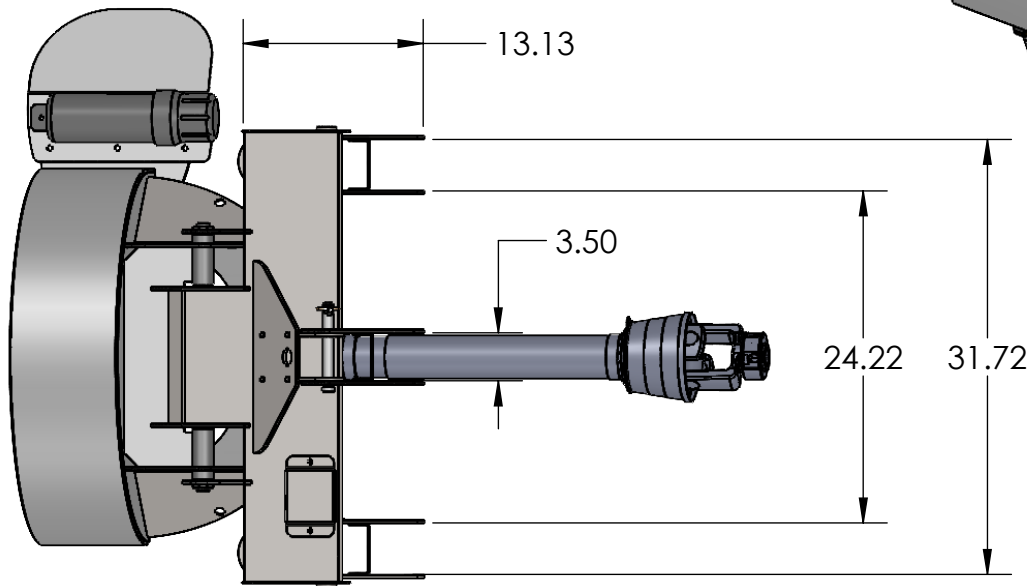
Extension brackets for easy adjustments



12 Qty - 3/8" x 1" long bolts for centre U-plate with nylon insert nut

8 Qty - 7/8" x 1.5" long bolts for bottom links with nylon insert nut

Use Grade 5 bolts with Nylon insert nuts.



PROPRIETARY AND CONFIDENTIAL
 THE INFORMATION CONTAINED IN THIS DRAWING IS THE SOLE PROPERTY OF BAUMALIGHT. ANY REPRODUCTION IN PART OR AS A WHOLE WITHOUT THE WRITTEN PERMISSION OF BAUMALIGHT IS PROHIBITED.



Description

Small 3-point 24" Stump Blaster

Weight
360.76 lbs

Thickness
in.

K-Factor

DATE

30-07-2021

DWG. NO.

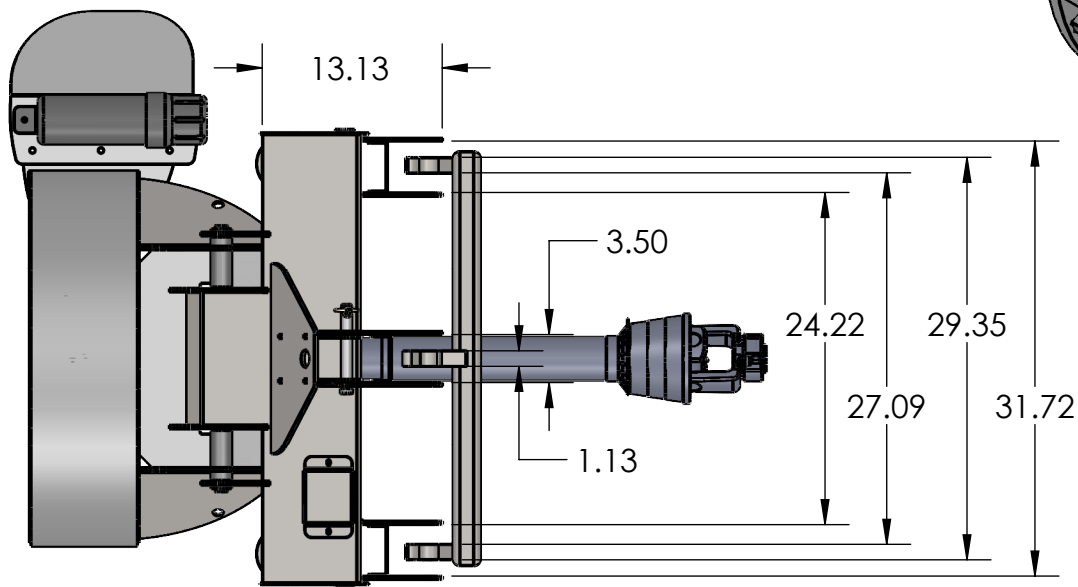
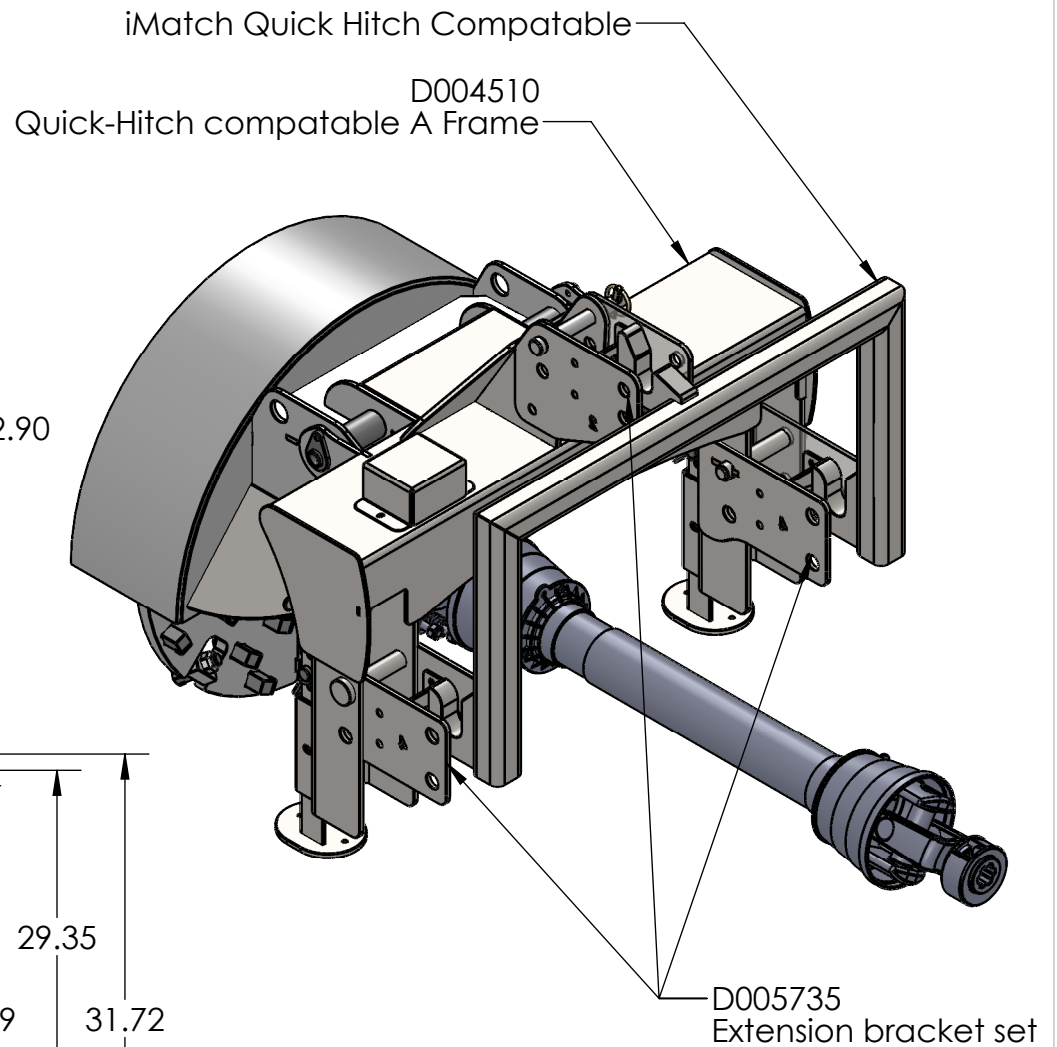
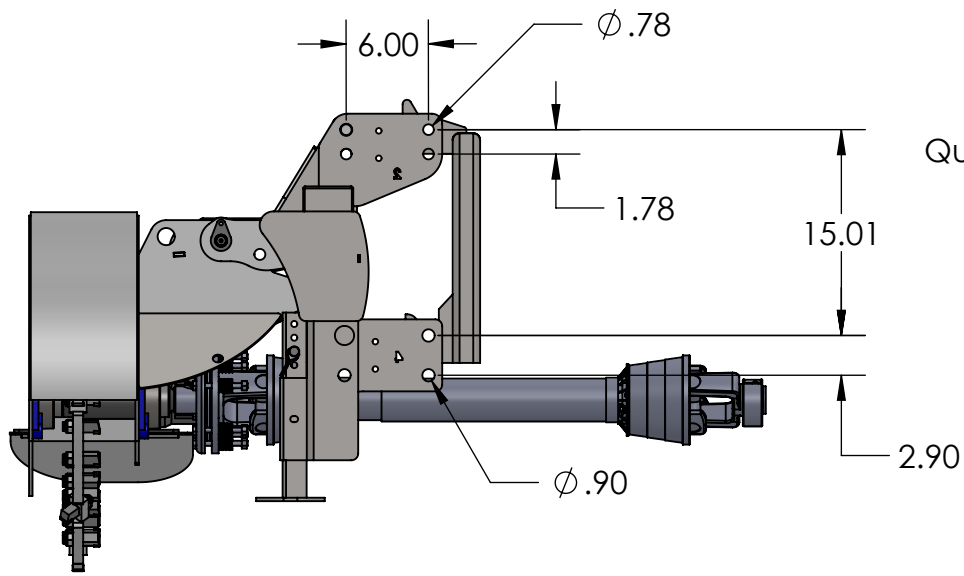
D005735-D10

REV
A

DO NOT SCALE DRAWING

SCALE: 1:14

SHEET 1 OF 1



PROPRIETARY AND CONFIDENTIAL
 THE INFORMATION CONTAINED IN THIS DRAWING IS THE SOLE PROPERTY OF BAUMALIGHT. ANY REPRODUCTION IN PART OR AS A WHOLE WITHOUT THE WRITTEN PERMISSION OF BAUMALIGHT IS PROHIBITED.



Description

Small 3-point 24" Stump Blaster

Weight
396.32 lbs

Thickness
in.

K-Factor

DATE

28-06-2014

DWG. NO.

1P24-Quick Hitch

REV

A

DO NOT SCALE DRAWING

SCALE: 1:14

SHEET 1 OF 1

5

4

3

2

1