

Common industry mini skid steer quick attach interface

**PROPRIETARY AND CONFIDENTIAL**  
 THE INFORMATION CONTAINED IN THIS DRAWING IS THE SOLE PROPERTY OF BAUMALIGHT. ANY REPRODUCTION IN PART OR AS A WHOLE WITHOUT THE WRITTEN PERMISSION OF BAUMALIGHT IS PROHIBITED.



Description

ASV RT40 FM to Bobcat Mini Male cheater adaptor

Weight lbs	Thickness in.	K-Factor	DATE 07-01-2025	DWG. NO. <b>D007566-D10</b>	REV <b>A</b>
DO NOT SCALE DRAWING		SCALE: 1:10	SHEET 1 OF 2		

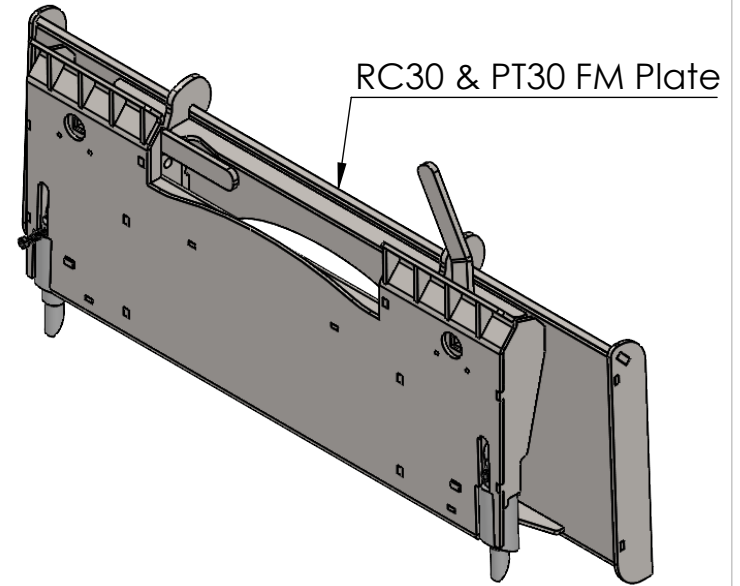
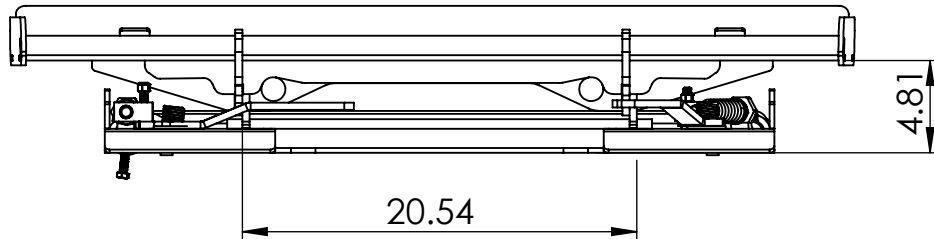
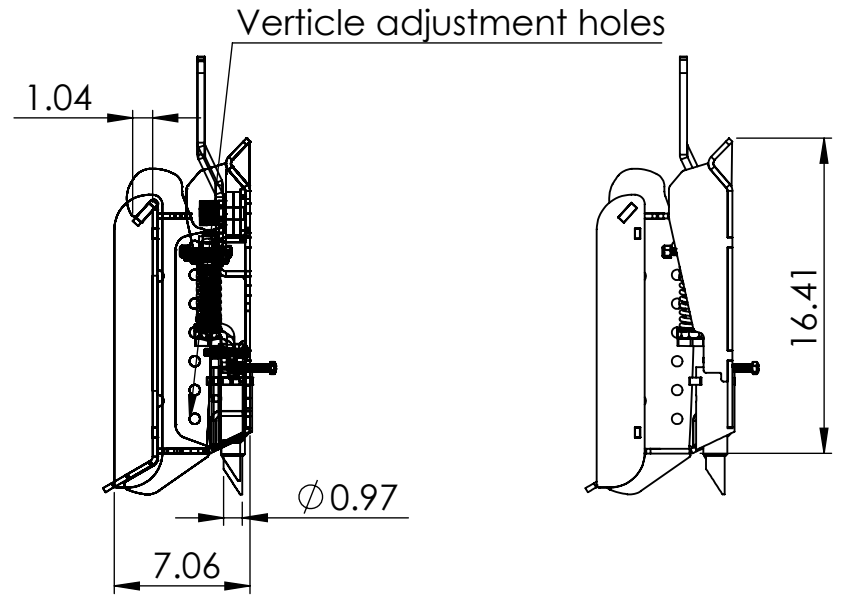
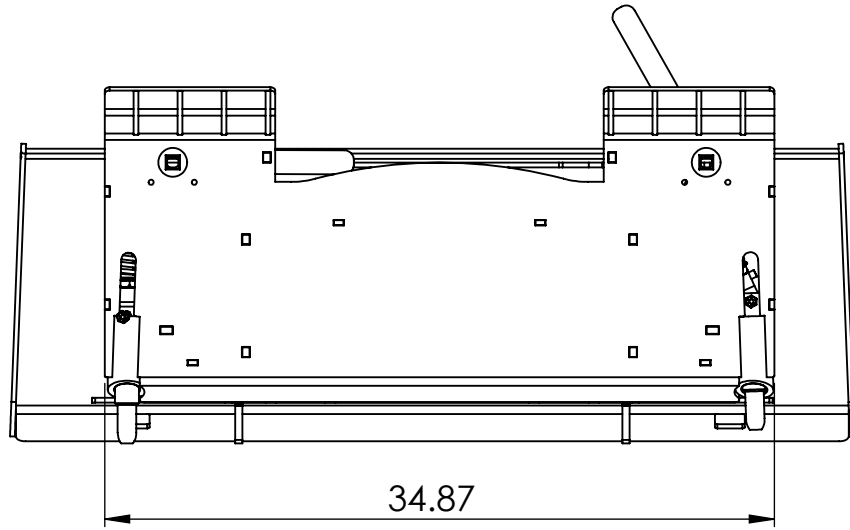
5

4

3

2

1



**PROPRIETARY AND CONFIDENTIAL**  
 THE INFORMATION CONTAINED IN THIS DRAWING IS THE SOLE PROPERTY OF BAUMALIGHT. ANY REPRODUCTION IN PART OR AS A WHOLE WITHOUT THE WRITTEN PERMISSION OF BAUMALIGHT IS PROHIBITED.



Description

ASV RT40 FM to Bobcat Mini Male cheater adaptor

Weight lbs	Thickness in.	K-Factor	DATE 07-01-2025	DWG. NO. <b>D007566-D10</b>	REV <b>A</b>
DO NOT SCALE DRAWING		SCALE: 1:10	SHEET 2 OF 2		

5

4

3

2

1