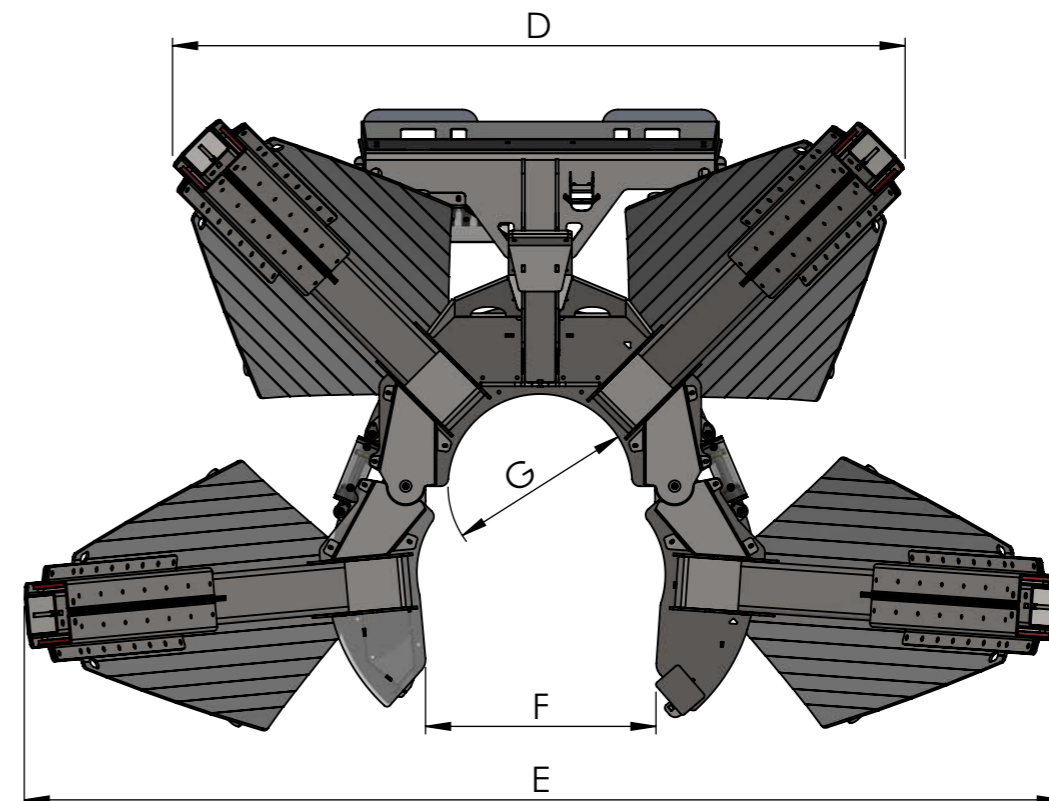
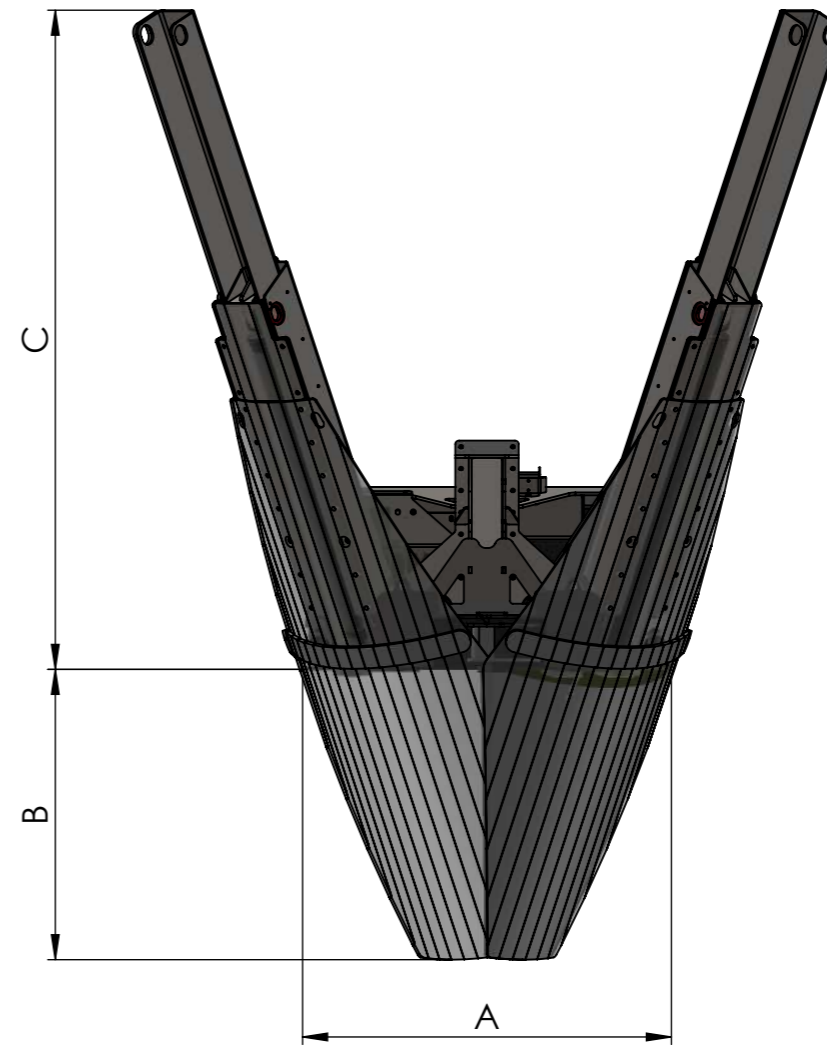
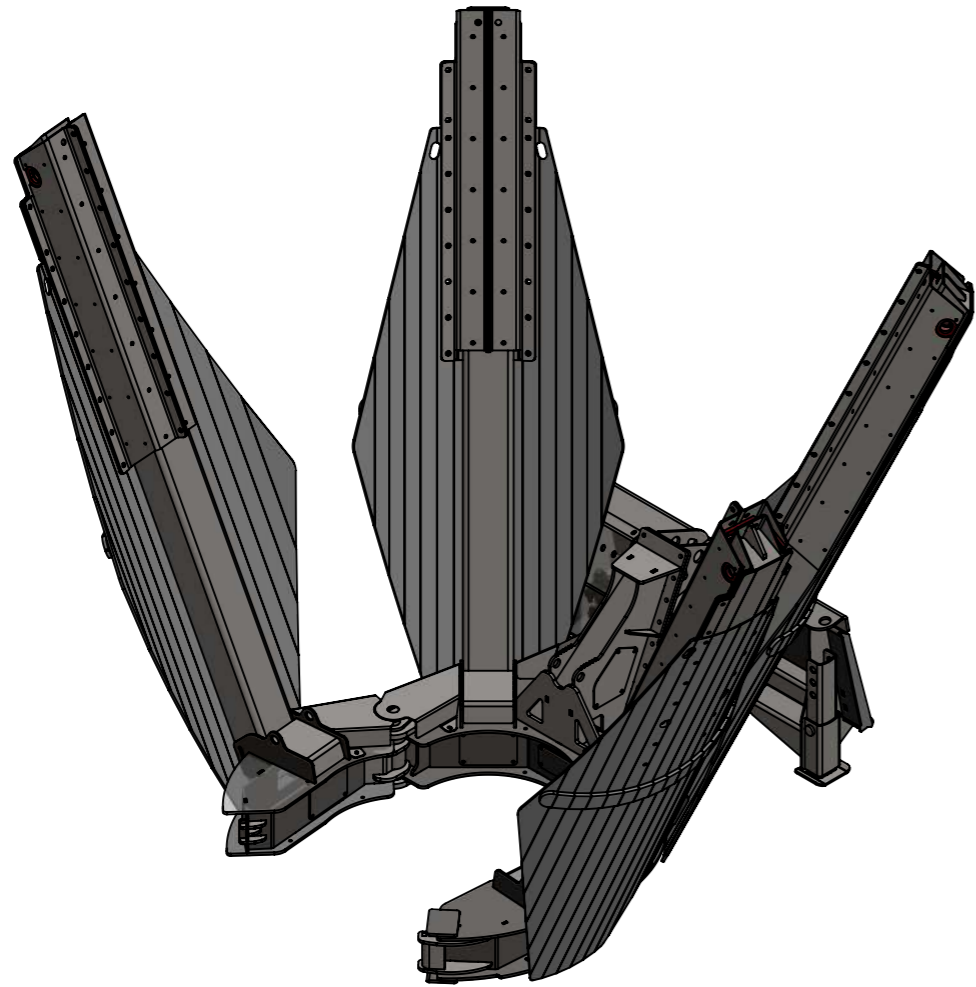


DR448



Basic Machine:

Upper rootball diameter, approx	A	121.9cm	(48")
Rootball depth, approx	B	96cm	(38")
Working height, approx	C	217.9cm	(85.8")
Working width, gate closed	D	242.2cm	(95.4")
Working width, gate open	E	343.2cm	(135.1")
Clearance between open gate	F	76.2cm	(30")
Inner frame diameter	G	61cm	(24")
Weight, empty		1717kgs	(3785 lbs)
Volume of rootball, approx		0.50 m ³	(17.64 FT ³)
Number of blades		4	