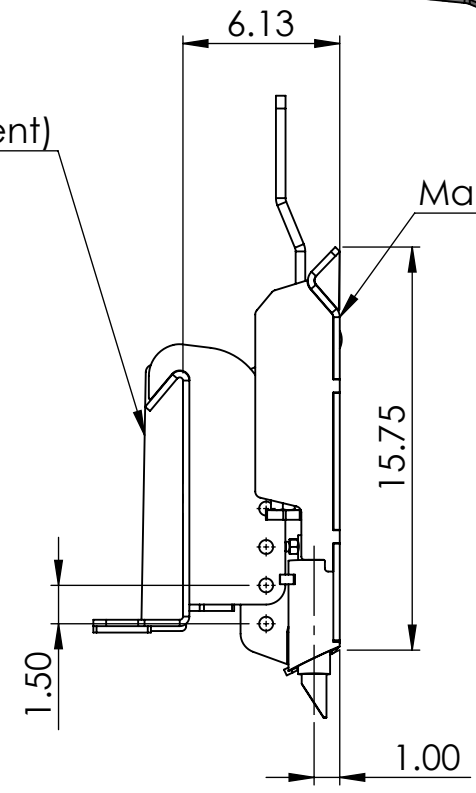
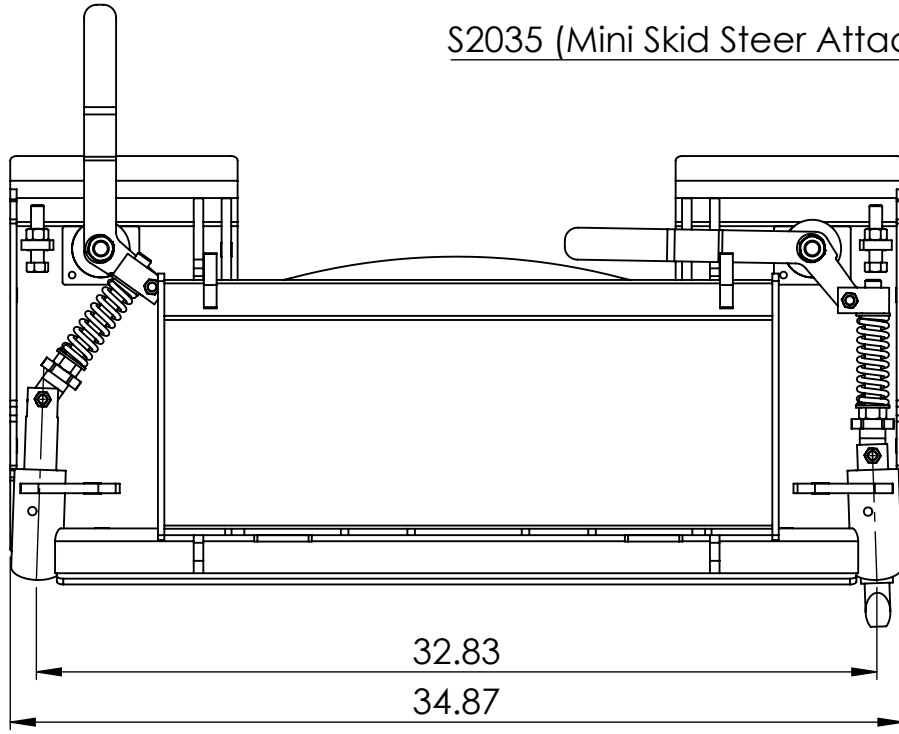


S2035 (Mini Skid Steer Attachment)

Male Bob cat Adaptor

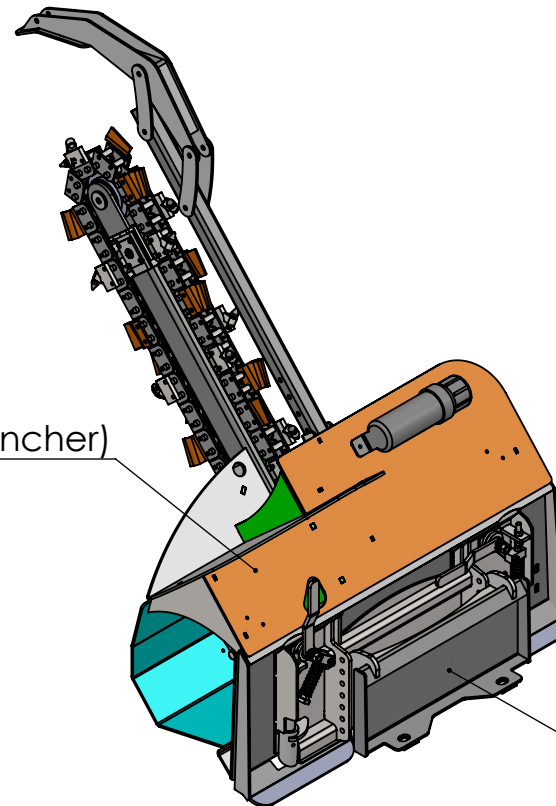
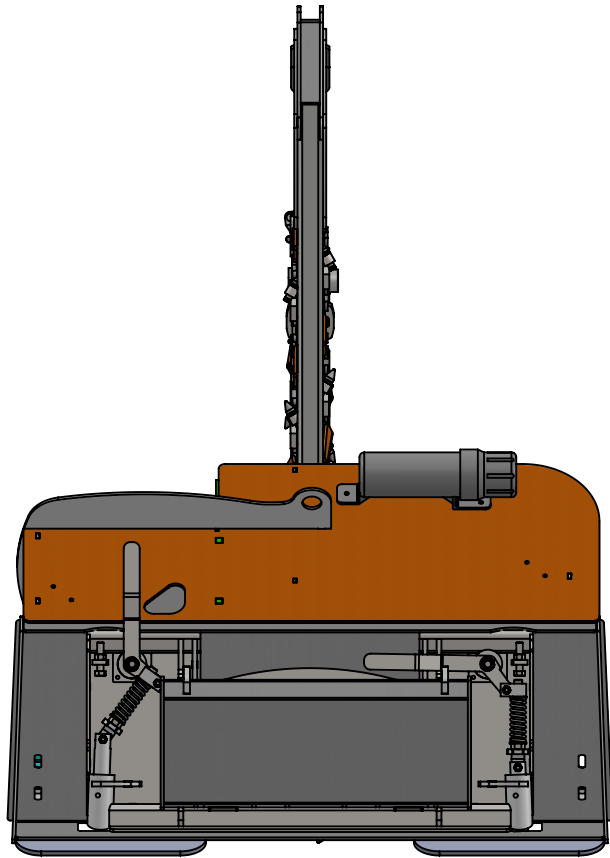
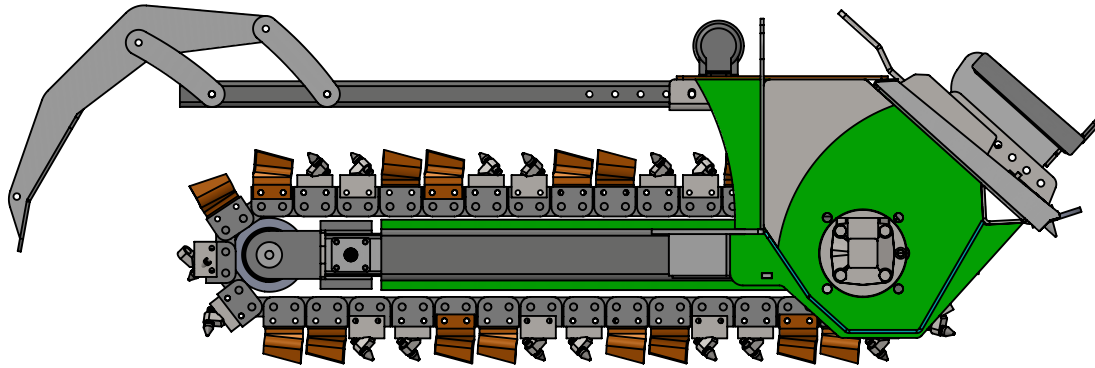


PROPRIETARY AND CONFIDENTIAL
 THE INFORMATION CONTAINED IN THIS DRAWING IS THE SOLE PROPERTY OF BAUMALIGHT. ANY REPRODUCTION IN PART OR AS A WHOLE WITHOUT THE WRITTEN PERMISSION OF BAUMALIGHT IS PROHIBITED.



Description FM Baumalight Mini Male plate to Bobcat Mini Male

Weight 122.08 lbs	Thickness in.	K-Factor	DATE 07-11-2022	DWG. NO. D006489	REV A
DO NOT SCALE DRAWING		SCALE: 1:10	SHEET 1 OF 3		



TN336(Trencher)

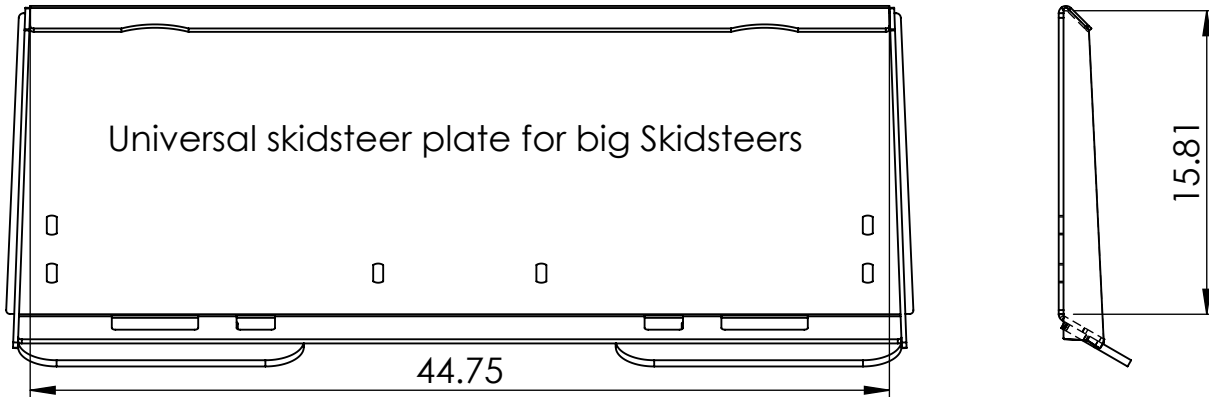
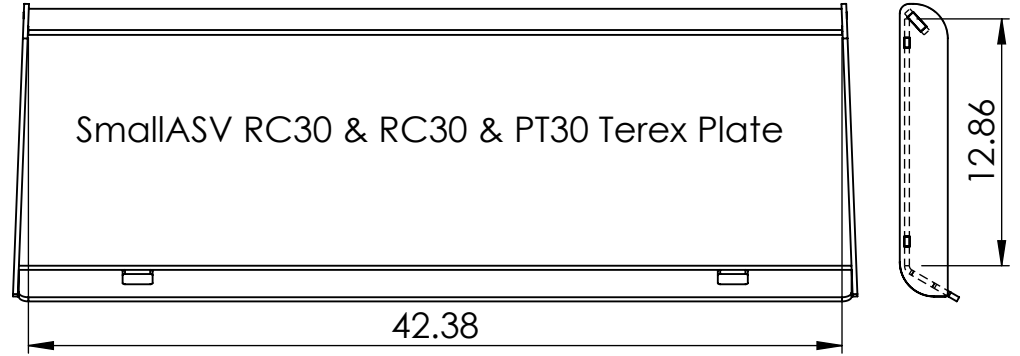
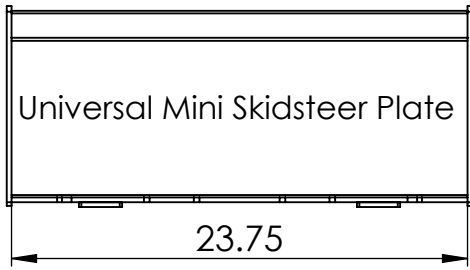
D006489
(FM Baumalight Mini
Male plate to Bobcat
Mini Male)

PROPRIETARY AND CONFIDENTIAL
THE INFORMATION CONTAINED IN THIS
DRAWING IS THE SOLE PROPERTY OF
BAUMALIGHT. ANY REPRODUCTION IN
PART OR AS A WHOLE WITHOUT THE
WRITTEN PERMISSION OF **BAUMALIGHT**
IS PROHIBITED.



Description FM Baumalight Mini Male plate to Bobcat Mini Male

Weight 663.20 lbs	Thickness in.	K-Factor	DATE 07-11-2022	DWG. NO. D006489	REV A
DO NOT SCALE DRAWING		SCALE: 1:15	SHEET 2 OF 3		



PROPRIETARY AND CONFIDENTIAL
 THE INFORMATION CONTAINED IN THIS DRAWING IS THE SOLE PROPERTY OF BAUMALIGHT. ANY REPRODUCTION IN PART OR AS A WHOLE WITHOUT THE WRITTEN PERMISSION OF BAUMALIGHT IS PROHIBITED.



Description

FM Skidsteer plates

Weight	Thickness in.	K-Factor	DATE 03-12-2007	DWG. NO.	REV
DO NOT SCALE DRAWING	SCALE: 10	SHEET 3 OF 3		S2035	A