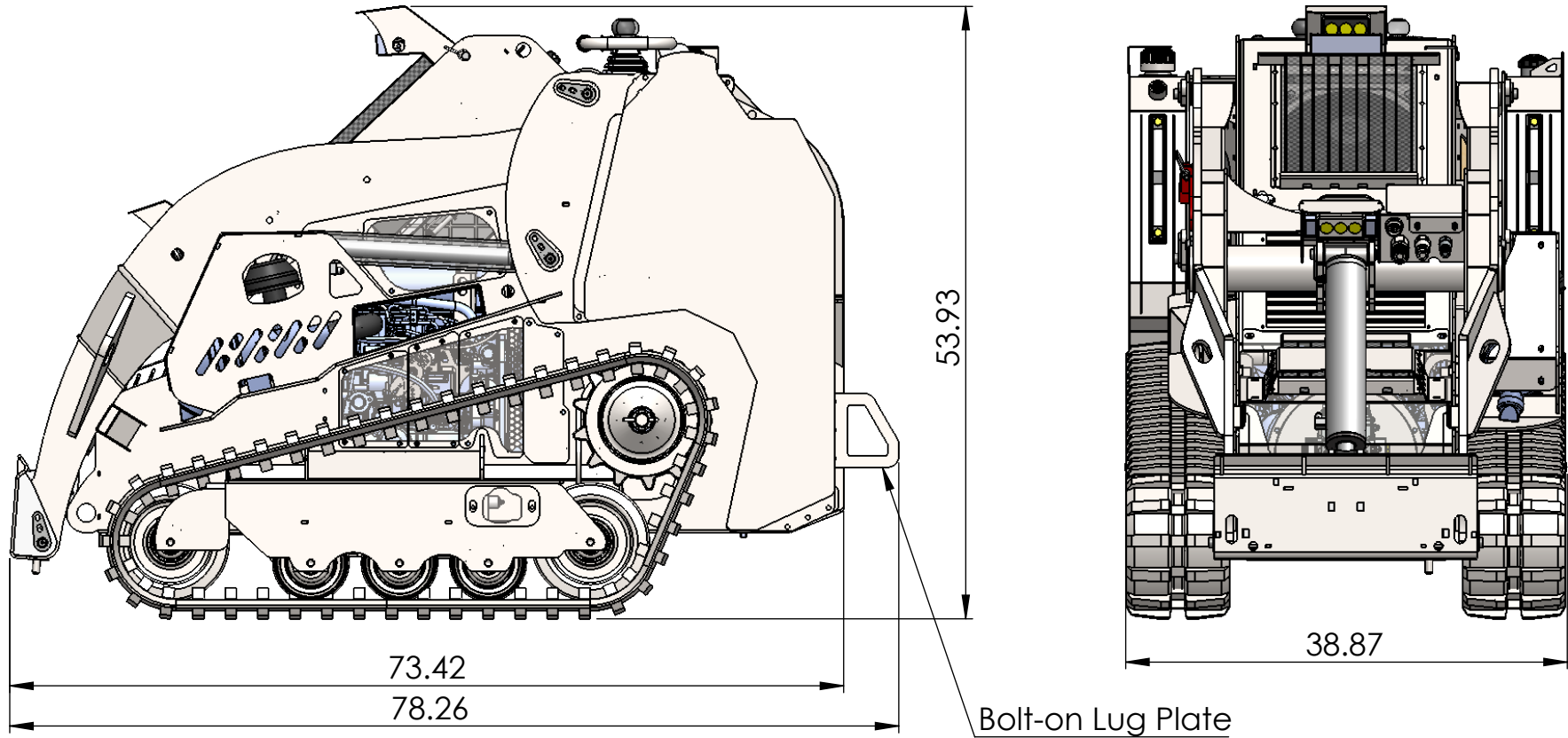


# TRL630Y



**PROPRIETARY AND CONFIDENTIAL**  
 THE INFORMATION CONTAINED IN THIS DRAWING IS THE SOLE PROPERTY OF BAUMALIGHT. ANY REPRODUCTION IN PART OR AS A WHOLE WITHOUT THE WRITTEN PERMISSION OF BAUMALIGHT IS PROHIBITED.



Description

Tracked Radial Lift

Weight lbs	Thickness in.	K-Factor	DATE 19-02-2024	DWG. NO.	REV A
DO NOT SCALE DRAWING	SCALE: 1:15	SHEET 1 OF 1	TRL630Y		