

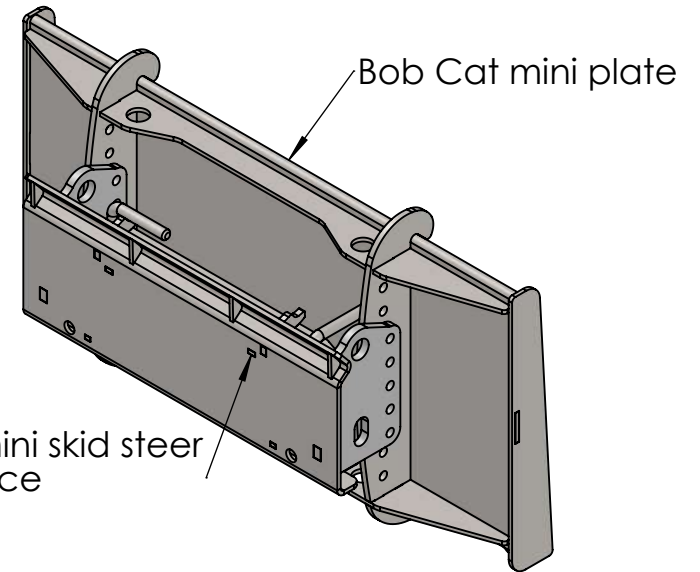
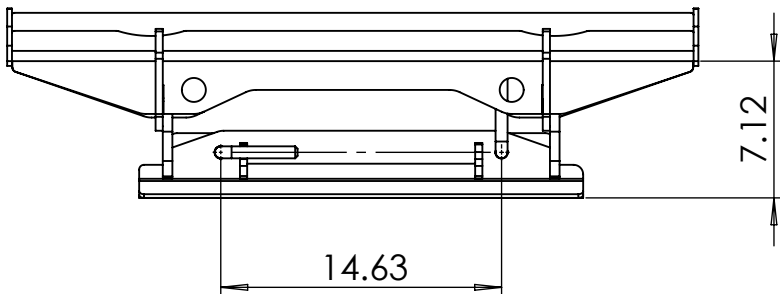
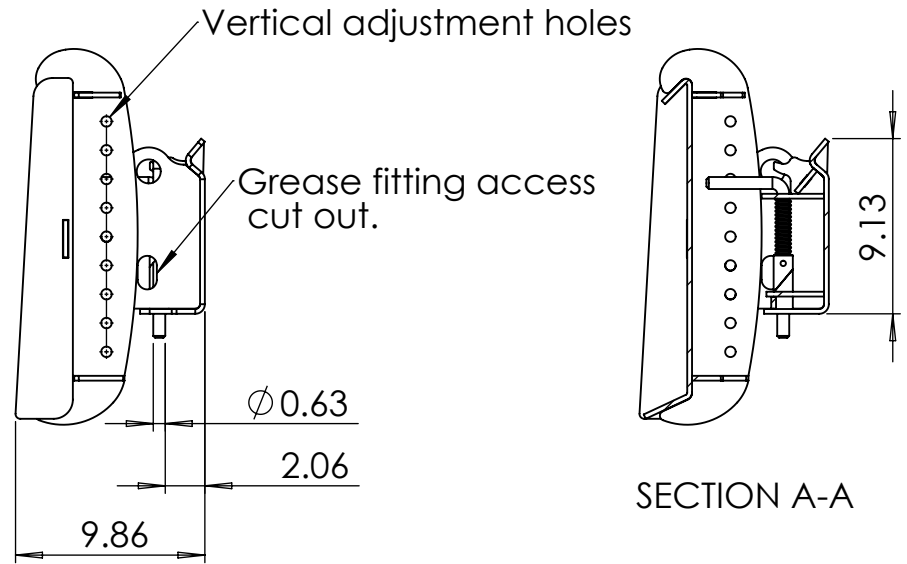
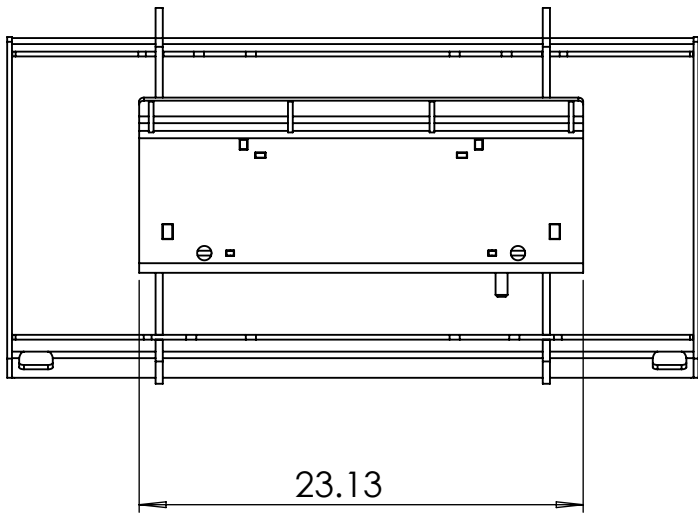
Common industry mini skid steer quick attach interface

PROPRIETARY AND CONFIDENTIAL
THE INFORMATION CONTAINED IN THIS DRAWING IS THE SOLE PROPERTY OF BAUMALIGHT. ANY REPRODUCTION IN PART OR AS A WHOLE WITHOUT THE WRITTEN PERMISSION OF BAUMALIGHT IS PROHIBITED.



Description Bobcat mini FM to Baumalight Male cheater adaptor

Weight lbs	Thickness in.	K-Factor	DATE 11-04-2023	DWG. NO. D006290-D10	REV A
DO NOT SCALE DRAWING		SCALE: 1:10	SHEET 1 OF 2		



PROPRIETARY AND CONFIDENTIAL
 THE INFORMATION CONTAINED IN THIS DRAWING IS THE SOLE PROPERTY OF BAUMALIGHT. ANY REPRODUCTION IN PART OR AS A WHOLE WITHOUT THE WRITTEN PERMISSION OF BAUMALIGHT IS PROHIBITED.



Description Bobcat mini FM to Baumalight Male cheater adaptor

Weight lbs	Thickness in.	K-Factor	DATE 11-04-2023	DWG. NO. D006290-D10	REV A
DO NOT SCALE DRAWING		SCALE: 1:10	SHEET 2 OF 2		

5

4

3

2

1