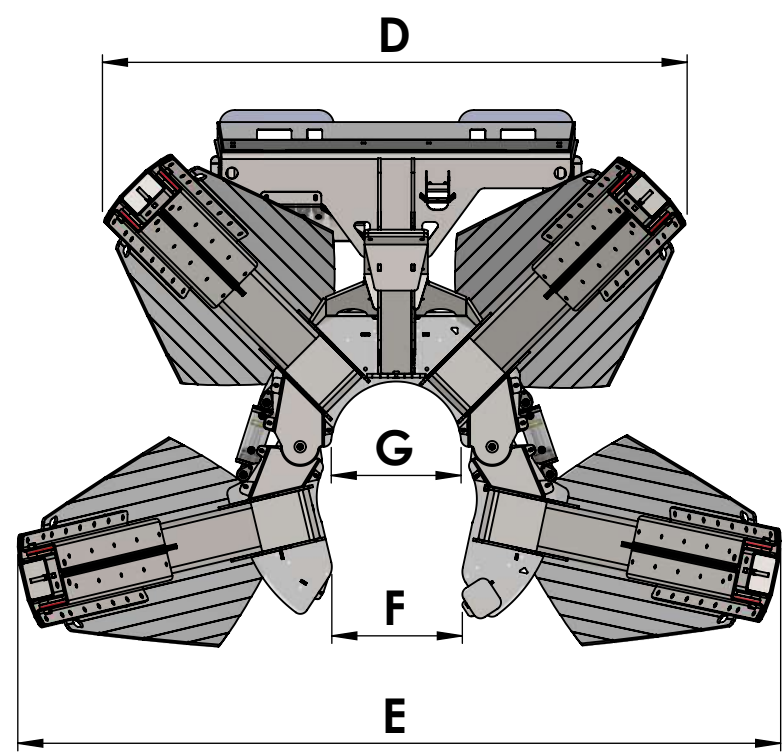
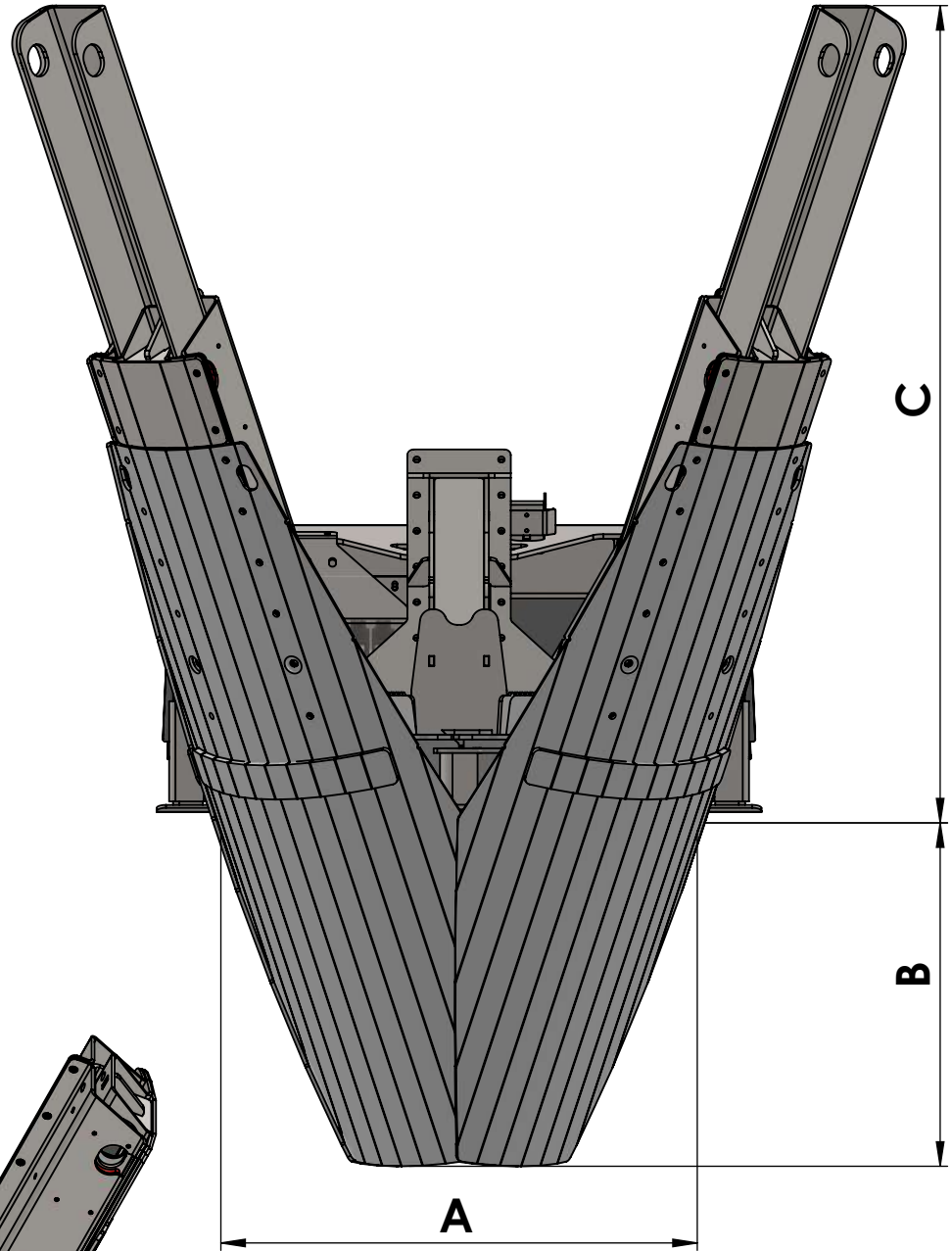
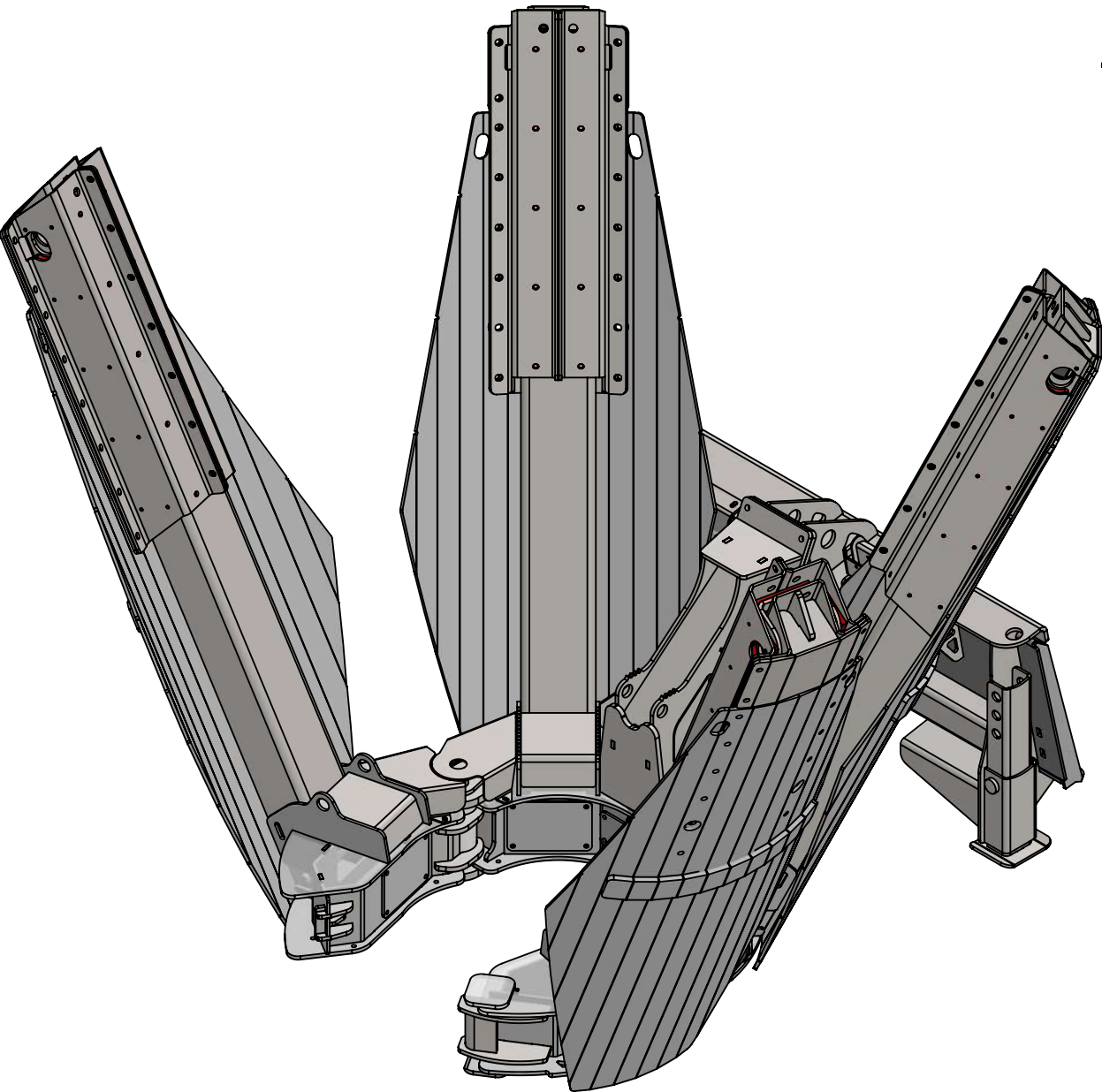


DR438



Basic Machine:

Upper rootball diameter, approx	A	96.5cm	(38")
Rootball depth, approx	B	68.5cm	(27")
Working height, approx	C	165.1cm	(65")
Working width, gate closed	D	193cm	(76")
Working width, gate open	E	252.2cm	(99.3")
Clearance between open gate	F	43.1cm	(17")
Inner frame diameter	G	42.9cm	(16.9")
Weight, empty		1134kgs	(2500 lbs)
Volume of rootball, approx		0.24 m ³	(8.47 FT ³)
Number of blades		4	